



US00D786481S

(12) **United States Design Patent**  
**Wiedemer**

(10) **Patent No.:** **US D786,481 S**

(45) **Date of Patent:** **\*\* May 9, 2017**

(54) **LIGHTING FIXTURE**

(71) Applicant: **Hinkley Lighting, Inc.**, Avon Lake, OH  
(US)

(72) Inventor: **Rick Wiedemer**, Rocky River, OH  
(US)

(73) Assignee: **HINKLEY LIGHTING, INC.**, Avon  
Lake, OH (US)

(\*\*) Term: **15 Years**

(21) Appl. No.: **29/530,743**

(22) Filed: **Jun. 18, 2015**

(51) **LOC (10) Cl.** ..... **26-03**

(52) **U.S. Cl.**  
USPC ..... **D26/81**

(58) **Field of Classification Search**  
USPC ..... D26/81-91, 143, 144  
CPC .... F21S 8/04; F21S 8/043; F21S 8/046; F21S  
8/06; F21S 8/061; F21S 8/063; F21S  
8/065  
See application file for complete search history.

(56) **References Cited**

**U.S. PATENT DOCUMENTS**

977,355	A	*	11/1910	Williams	.....	F16G 13/16 362/404
D48,143	S	*	11/1915	Adam	.....	D26/149
D70,540	S	*	7/1926	Crumley	.....	D26/81
D101,033	S	*	9/1936	Glatthar et al.	.....	D26/81
D384,764	S	*	10/1997	Littman	.....	D26/76
D465,298	S	*	11/2002	Gottwald	.....	D26/85
D483,514	S	*	12/2003	Cuevas	.....	D26/81
D490,557	S	*	5/2004	Cuevas	.....	D26/142
D520,669	S	*	5/2006	Brunner	.....	D26/81
D539,962	S	*	4/2007	Hsu	.....	D26/81
D547,000	S	*	7/2007	Bayer	.....	D26/152
D557,453	S	*	12/2007	Yando	.....	D26/144
D578,701	S	*	10/2008	Schuyler	.....	D26/144
D580,088	S	*	11/2008	Orozco	.....	D26/81

D634,887	S	*	3/2011	Kitts	.....	D26/143
D660,510	S	*	5/2012	Bracher	.....	D26/143
D672,493	S	*	12/2012	Lee	.....	D26/88

(Continued)

**OTHER PUBLICATIONS**

Quoizel Hacienda Coahuila Chandelier.From the Lamps Plus 2007  
Holiday Catalog. Received Nov. 19, 2007.\*

(Continued)

*Primary Examiner* — Clare E Heflin

(74) *Attorney, Agent, or Firm* — Pearne & Gordon LLP

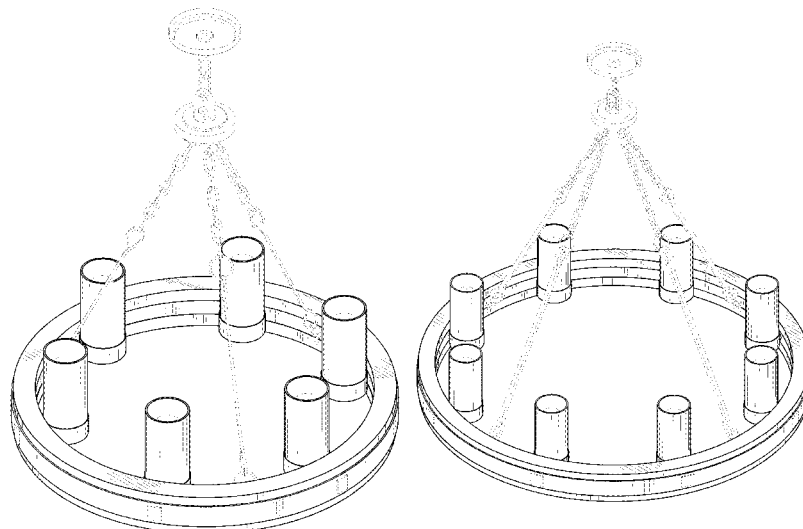
(57) **CLAIM**

The ornamental design for a lighting fixture, as shown and  
described.

**DESCRIPTION**

FIG. 1 is a top perspective view of the lighting fixture showing a first embodiment of the new design;  
FIG. 2 is a bottom perspective view thereof;  
FIG. 3 is a front elevation view thereof;  
FIG. 4 is a side elevation view thereof;  
FIG. 5 is a rear elevation view thereof;  
FIG. 6 is an opposite side elevation view thereof;  
FIG. 7 is a top view thereof;  
FIG. 8 is a bottom view thereof;  
FIG. 9 is a top perspective view of the lighting fixture showing a second embodiment of the new design;  
FIG. 10 is a bottom perspective view thereof;  
FIG. 11 is a front elevation view thereof;  
FIG. 12 is a side elevation view thereof;  
FIG. 13 is a rear elevation view thereof;  
FIG. 14 is an opposite side elevation view thereof;  
FIG. 15 is a top view thereof; and,  
FIG. 16 is a bottom view thereof.  
Features of the lighting fixture illustrated in broken lines form no part of the claimed design.

**1 Claim, 16 Drawing Sheets**



(56)

**References Cited**

U.S. PATENT DOCUMENTS

D687,589 S \* 8/2013 Wick ..... D26/90  
2009/0213581 A1 \* 8/2009 Gauger ..... F21S 8/065  
362/161

OTHER PUBLICATIONS

Revolution Collection Bronze Round Chandelier from Lamps Plus.  
Found at lampsplus.com visited Sep. 23, 2005.\*  
Circolo Collection Model Nos. 2343, 2344 and 2345 shown on pp.  
s622 and s623 of the Kichler Catalog K107, Jan. 2007. (3 pages,  
includes front and rear covers of catalog).\*  
“Rock Candy” 8-light chandelier Model SU6238 from LBL Light-  
ing ©2015.\*  
“Crenshaw” ring chandelier model 3746-PRC from crenshawlight-  
ing.com visited Dec. 30, 2016.\*  
“Silo” six-light chandelier by Maxim Lighting found at bel-  
lacorlighting.com visited Dec. 30, 2016. (4 pages).\*  
“Ralph Lauren Roark” modular ring chandelier from Vaquoux  
blogspot dated Jul. 27, 2016.\*

\* cited by examiner

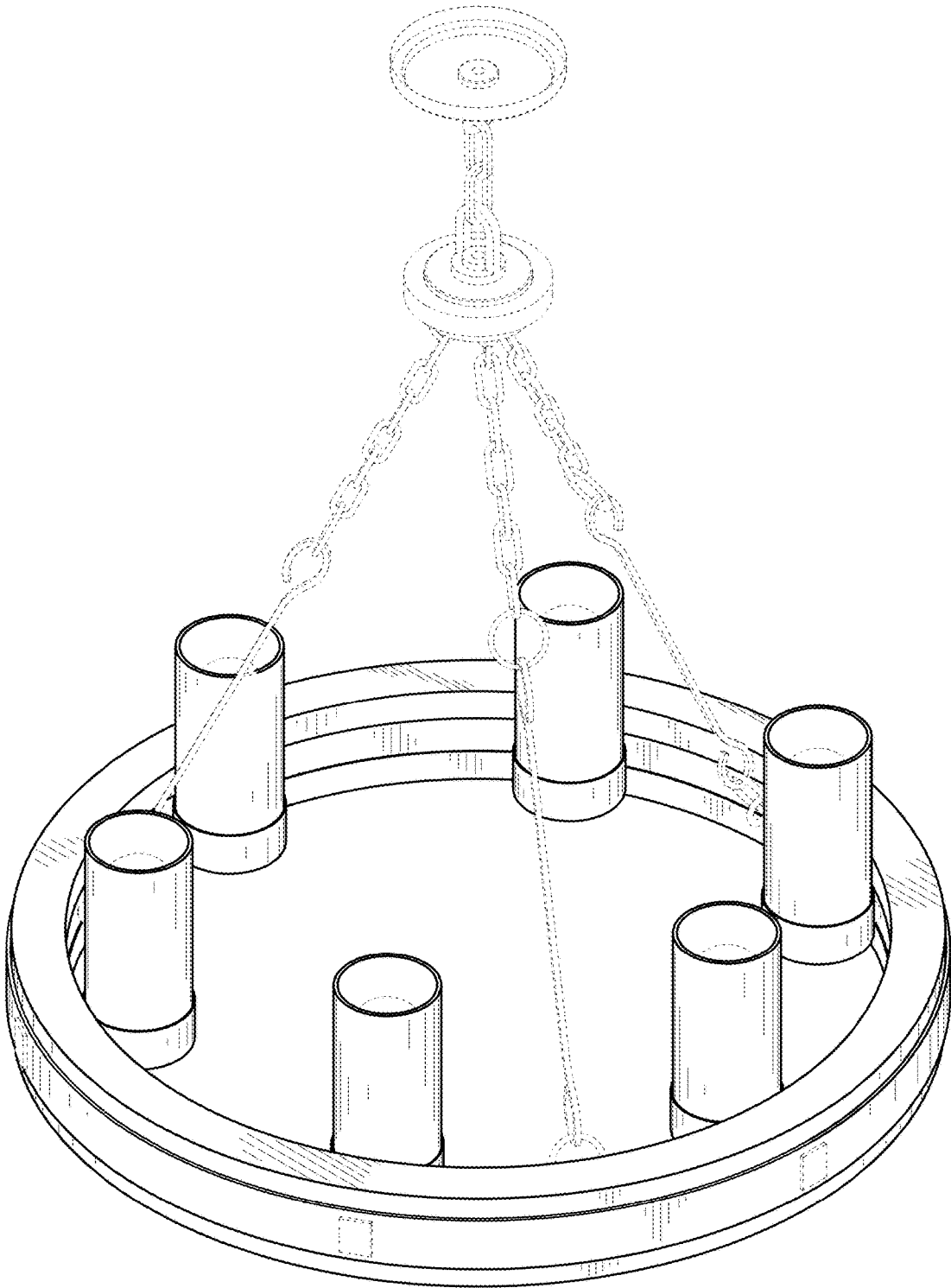


Fig. 1

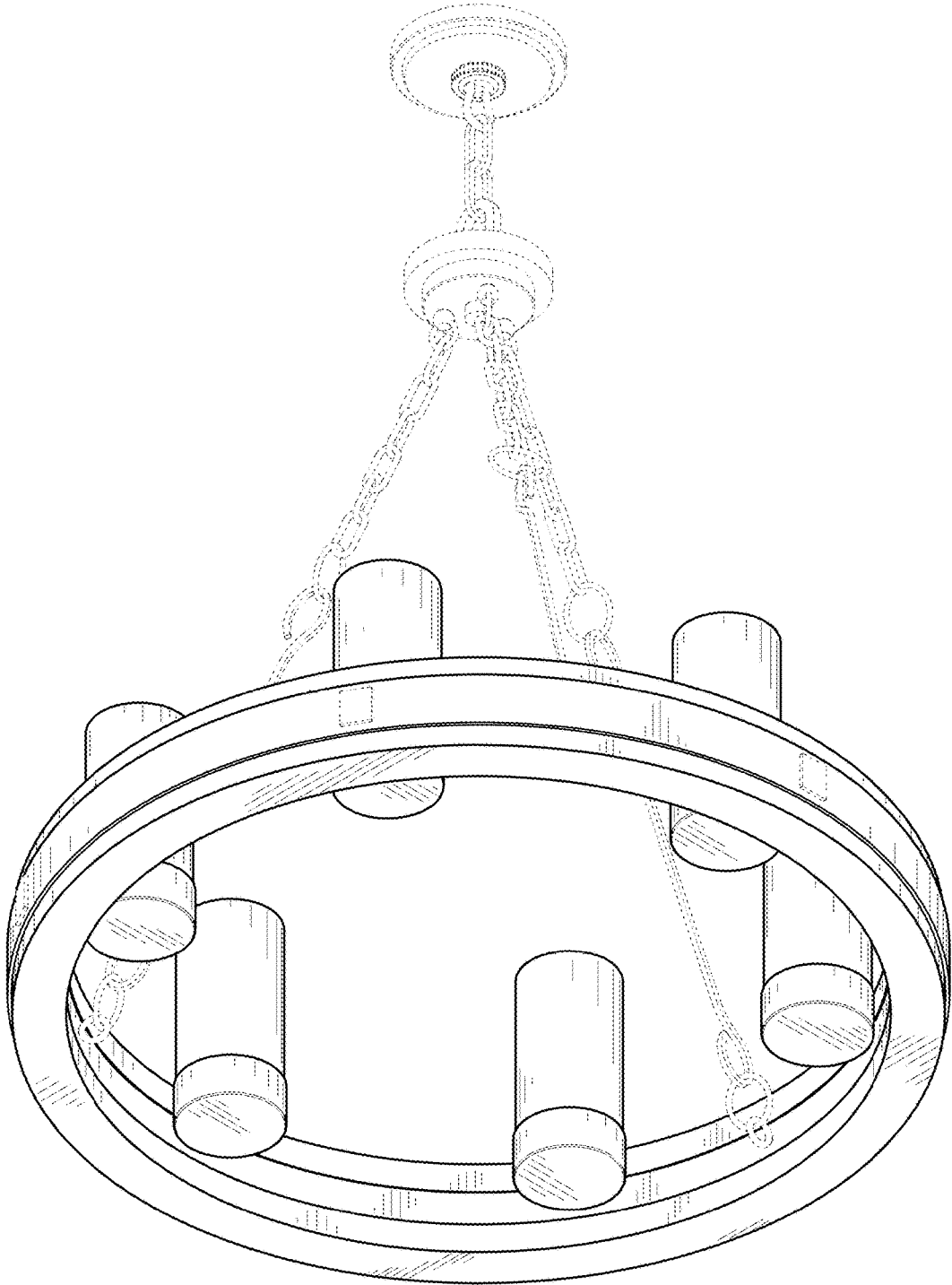


Fig. 2

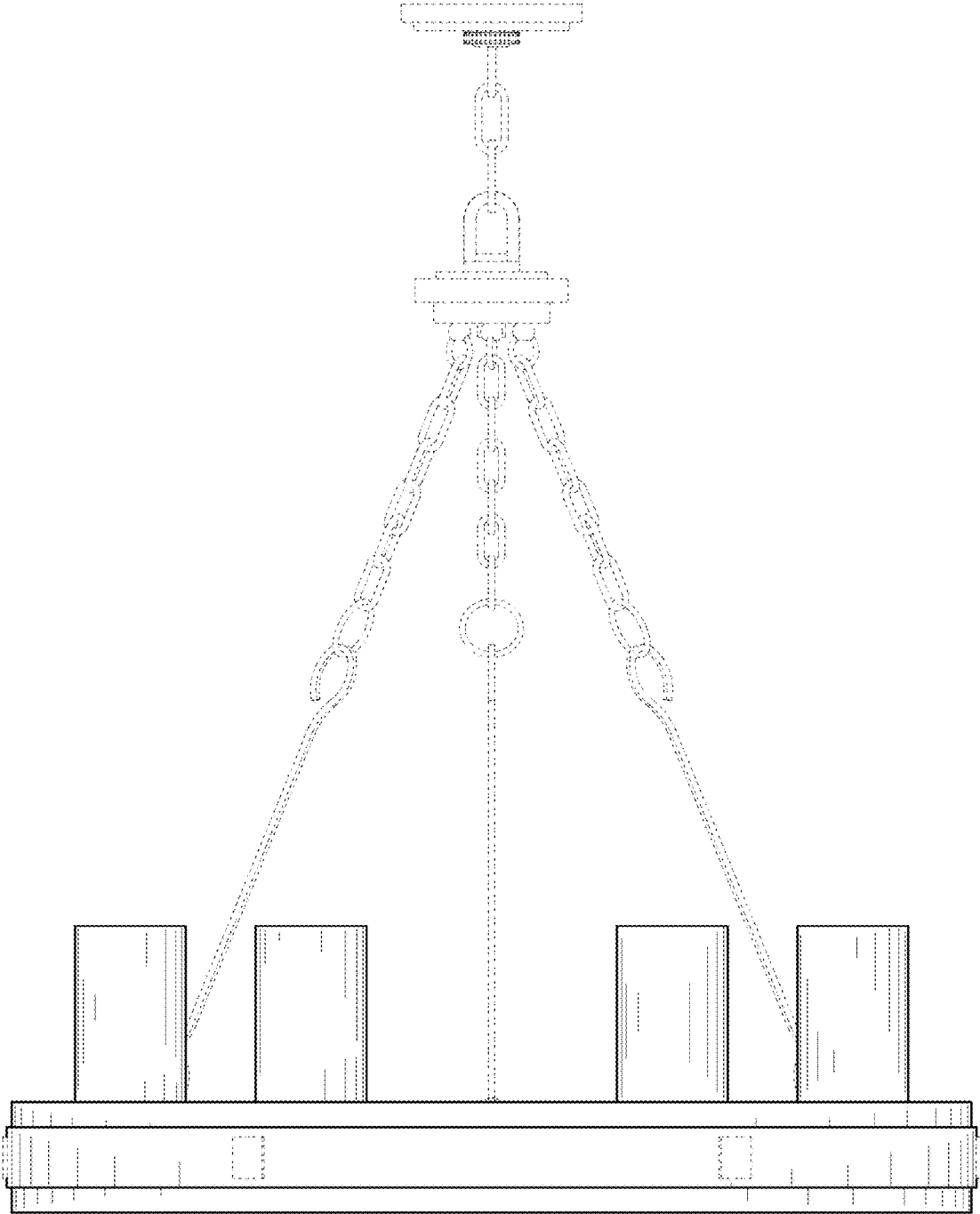


Fig. 3

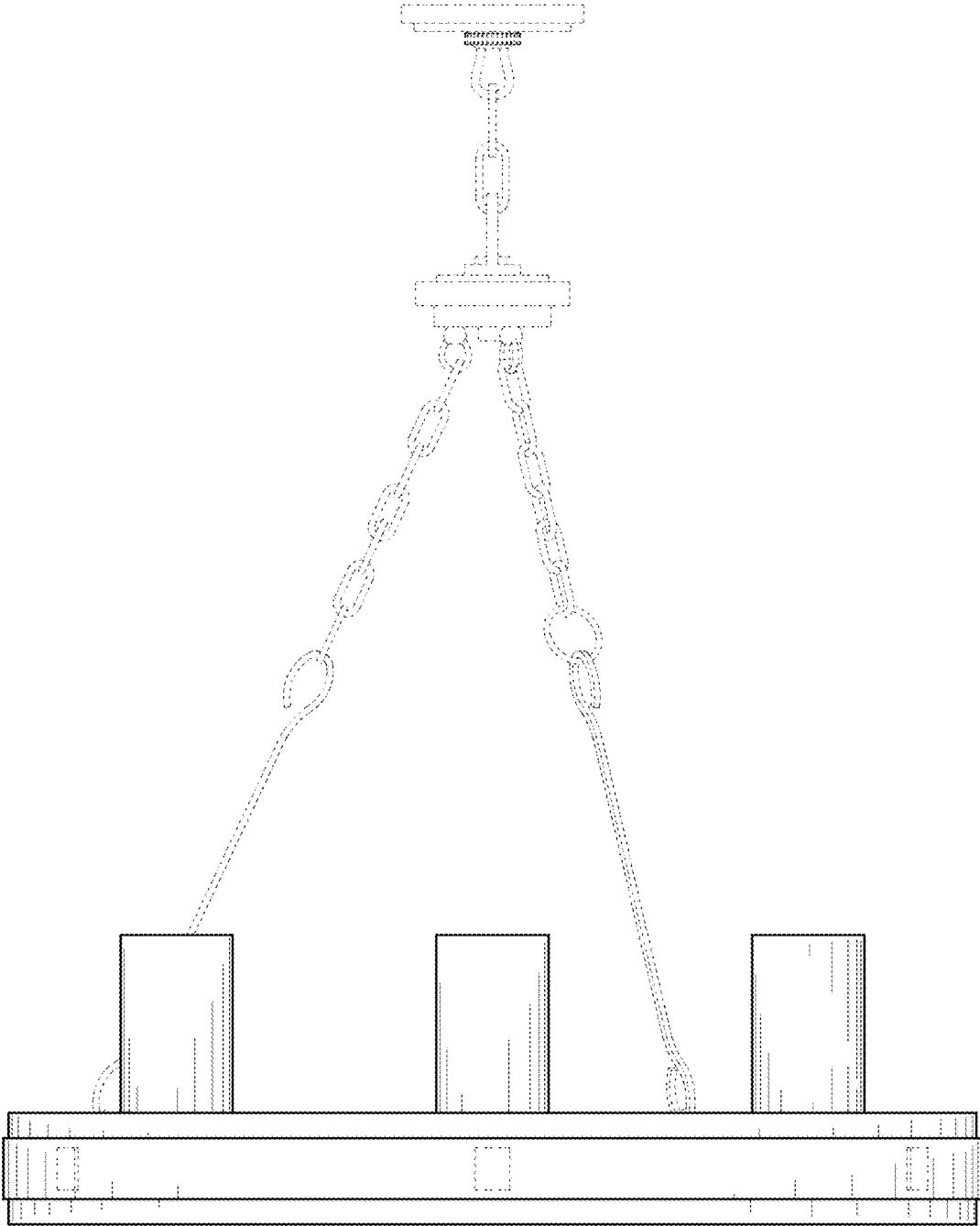


Fig. 4

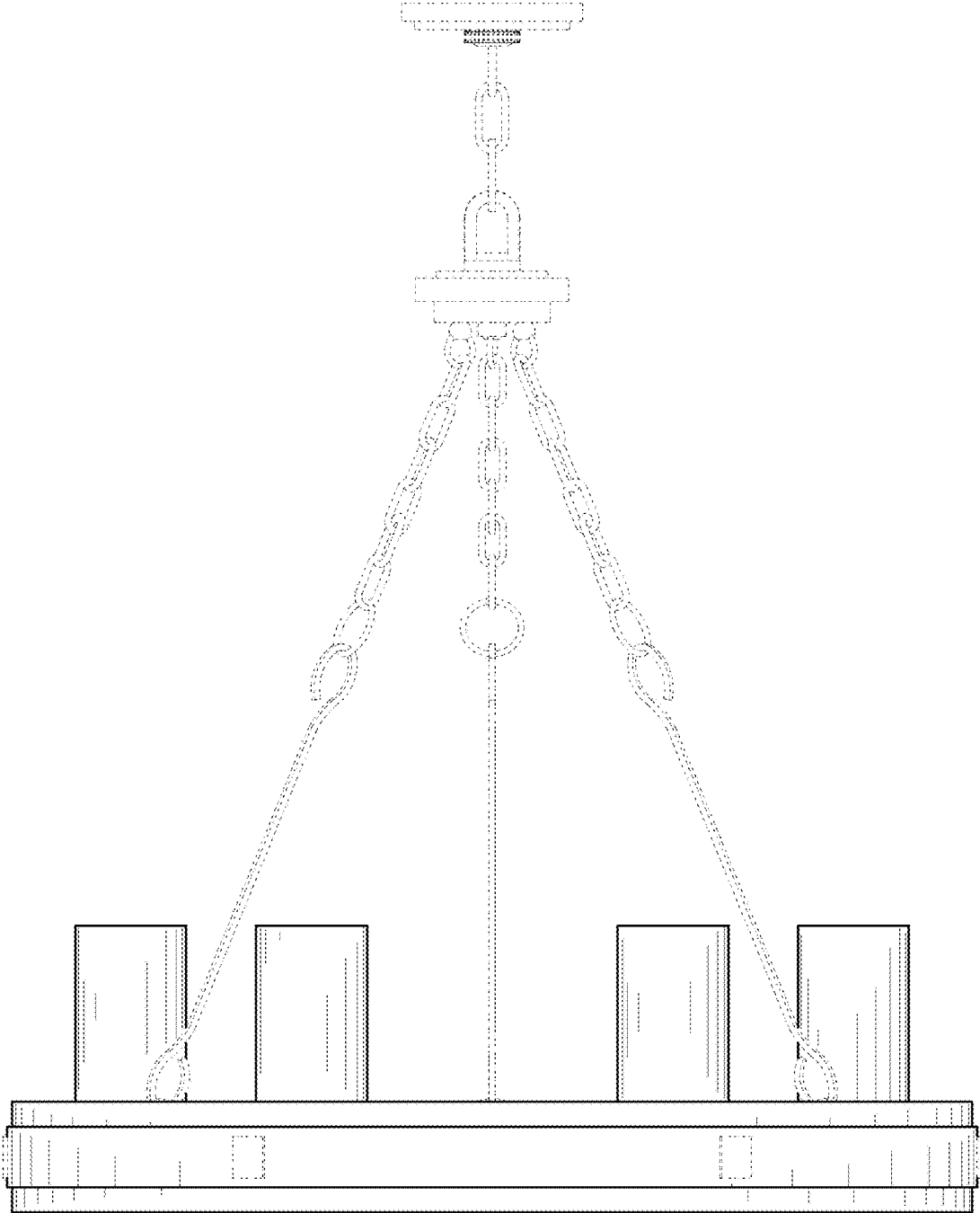


Fig. 5

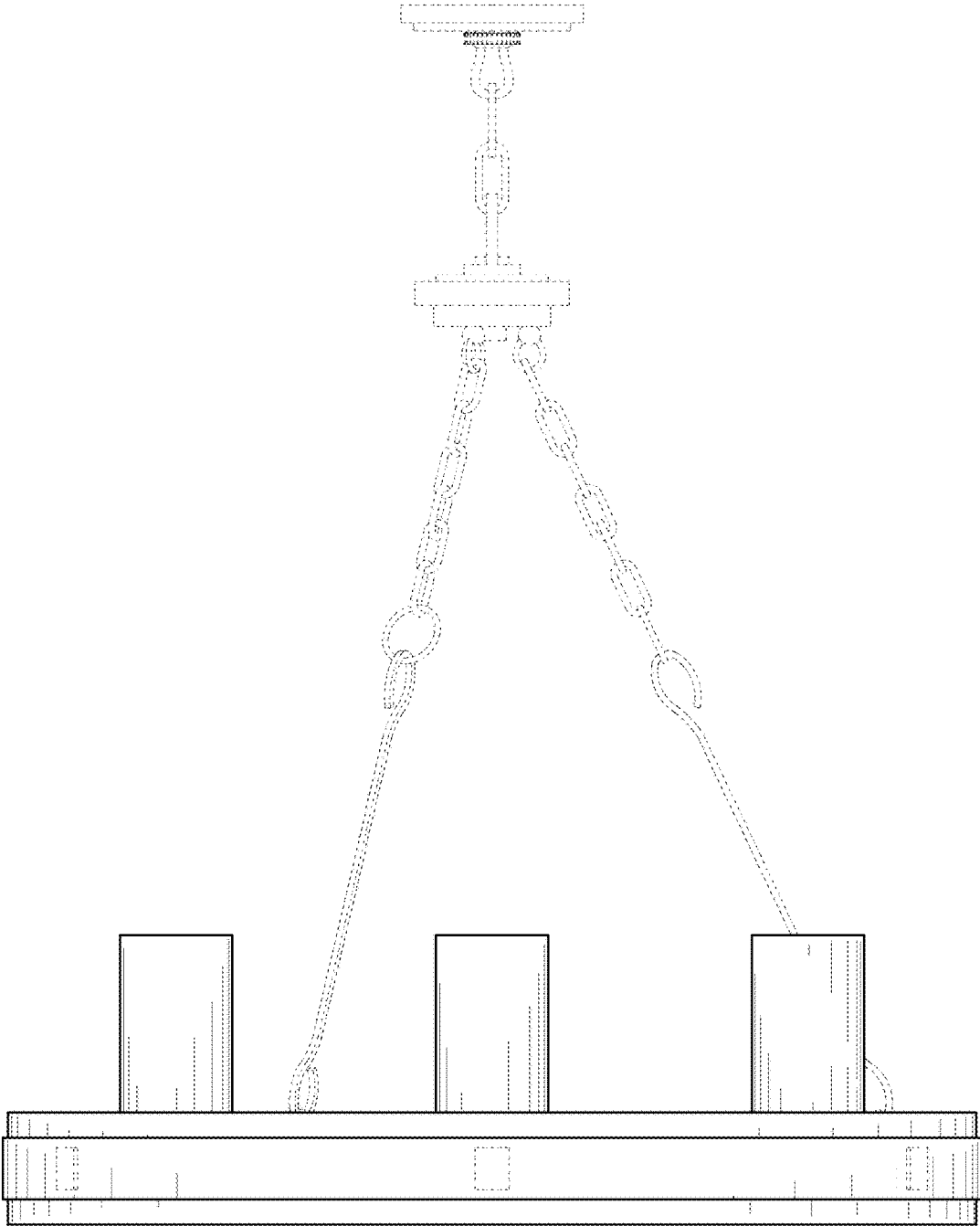


Fig. 6



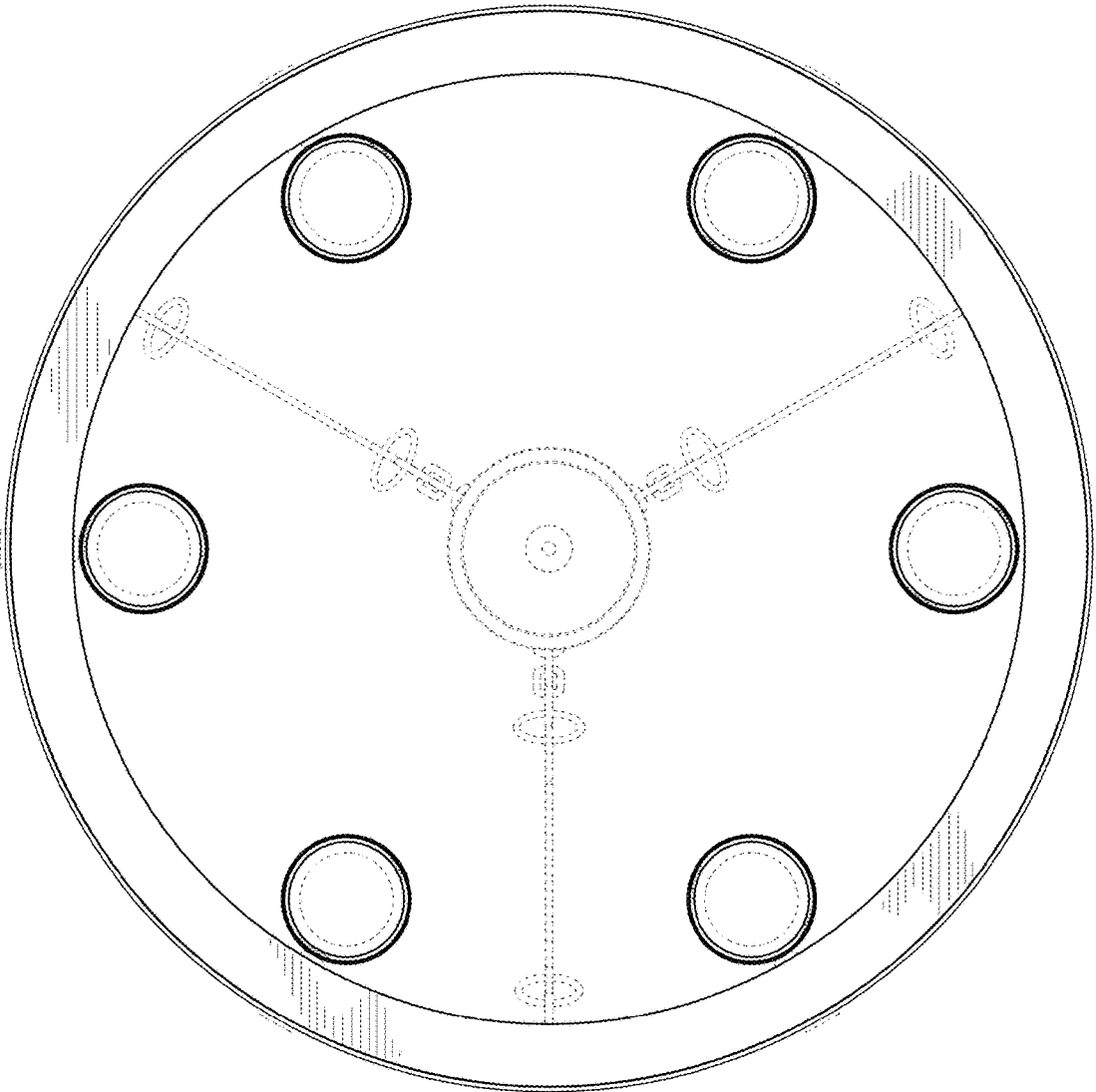


Fig. 7

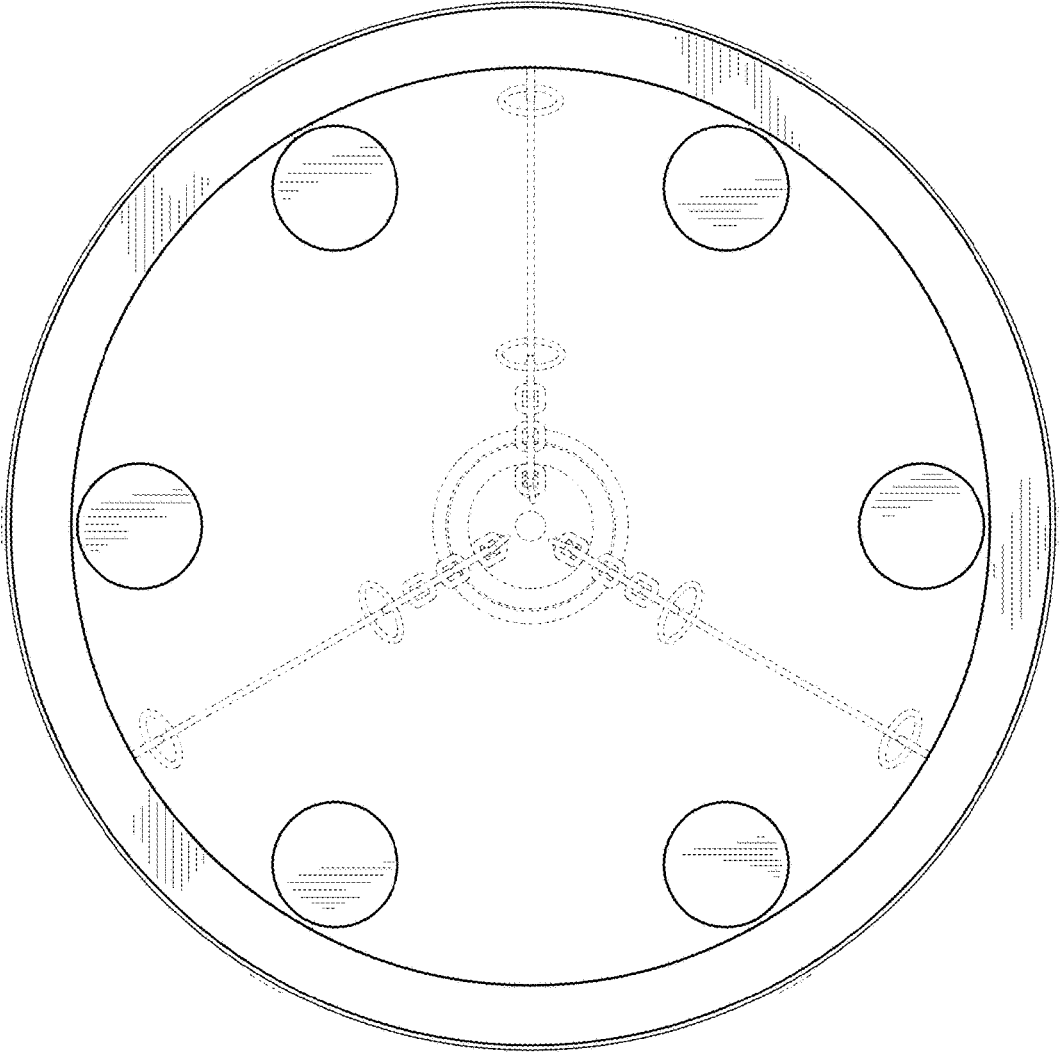


Fig. 8

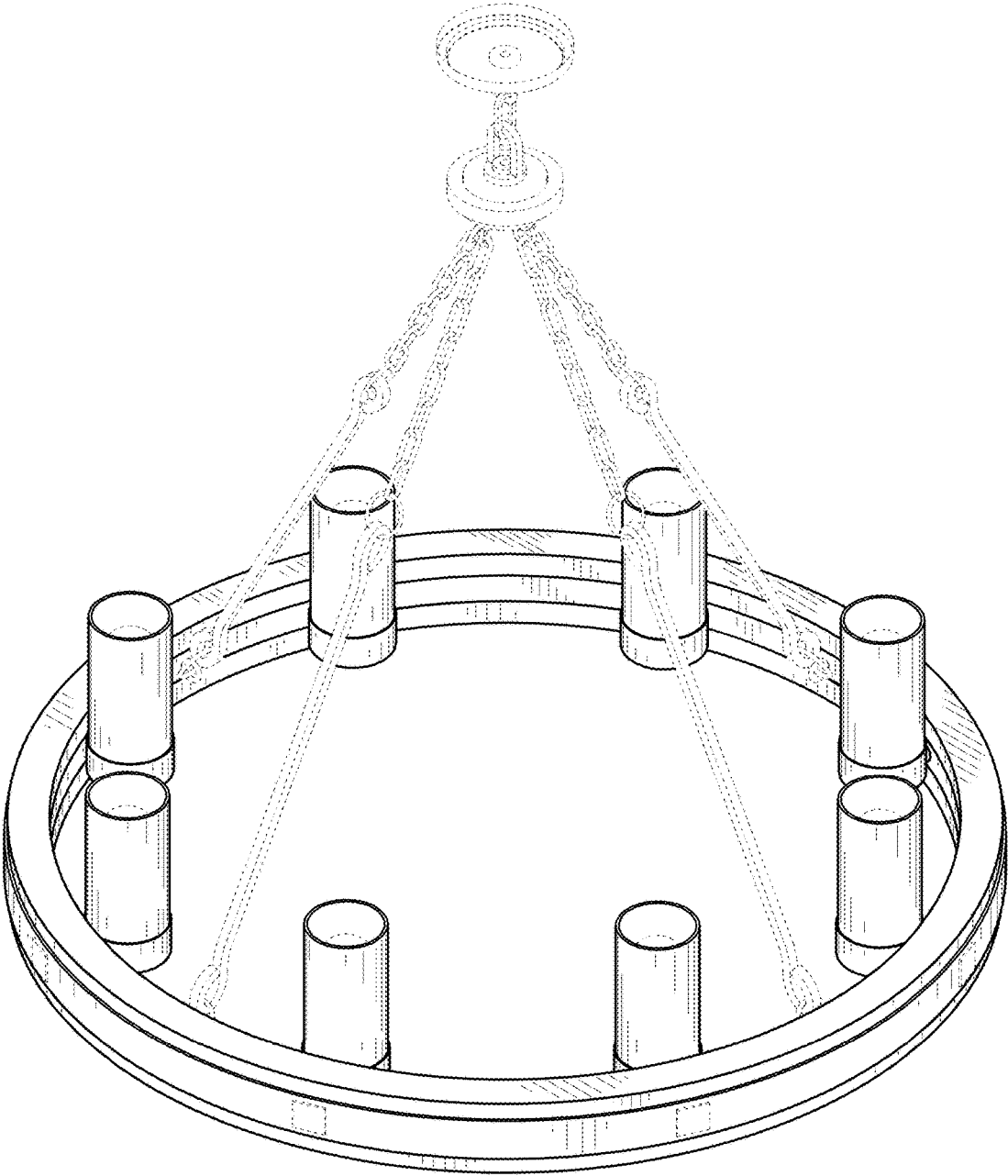


Fig. 9

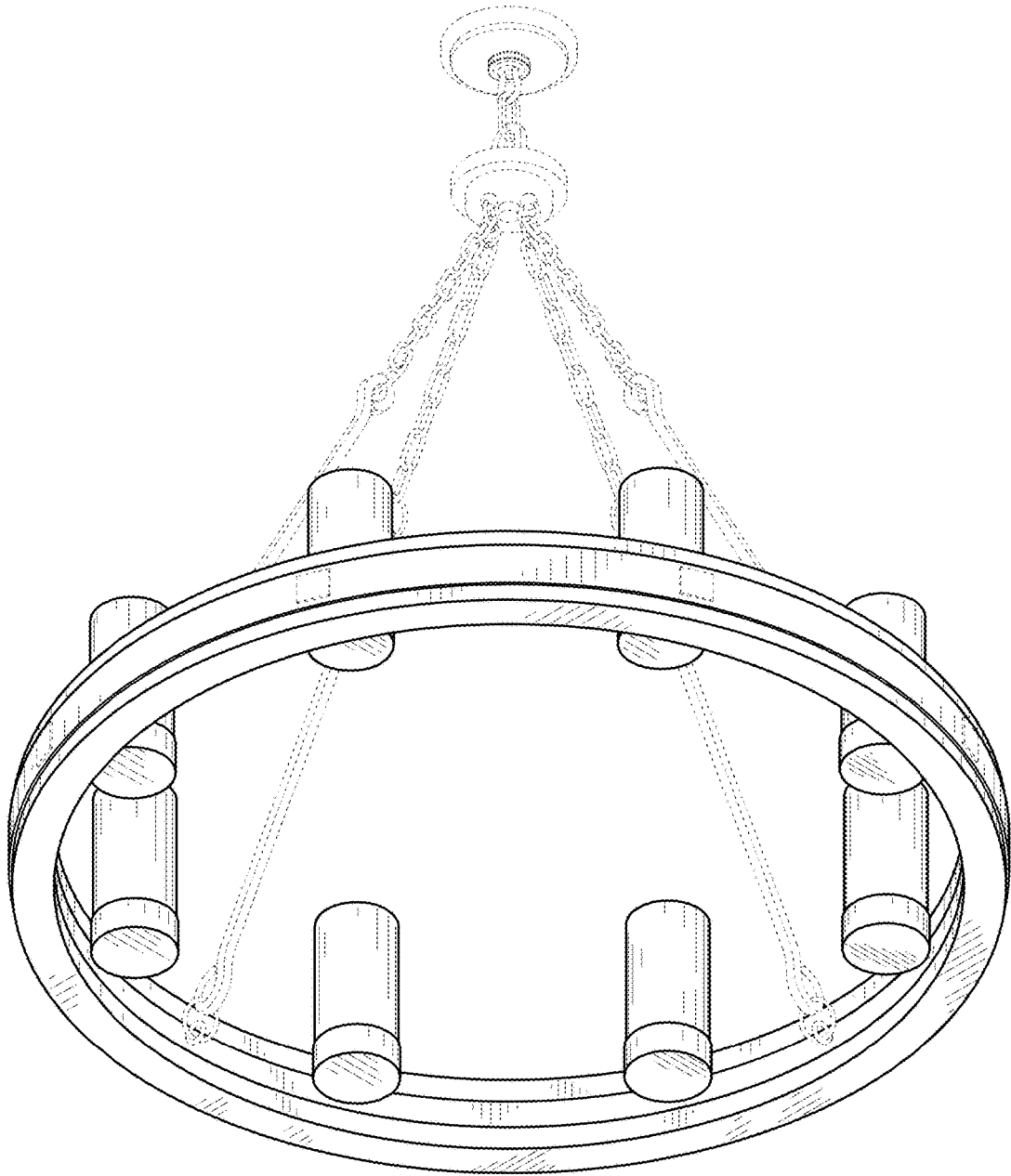


Fig. 10

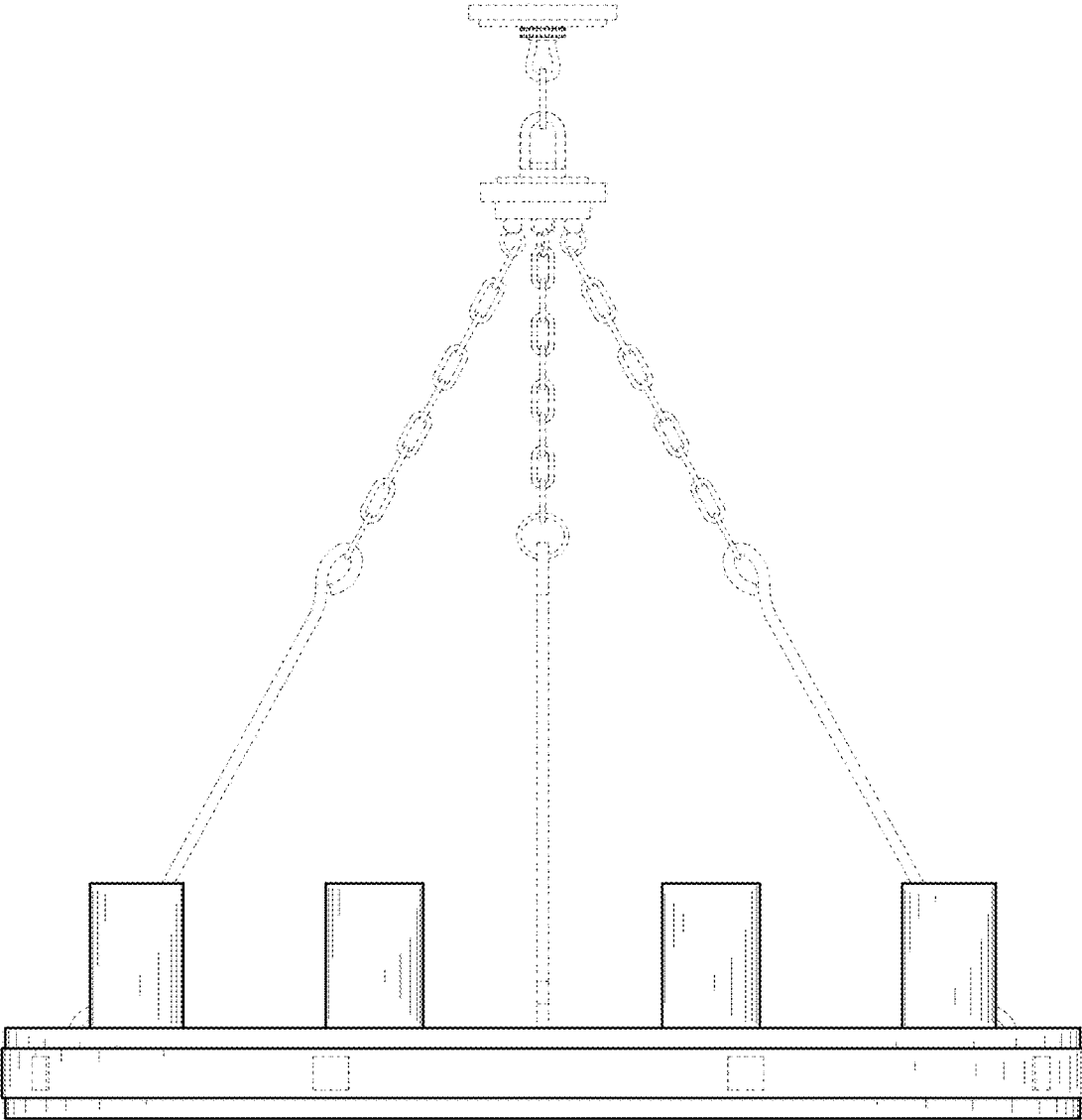


Fig. 11

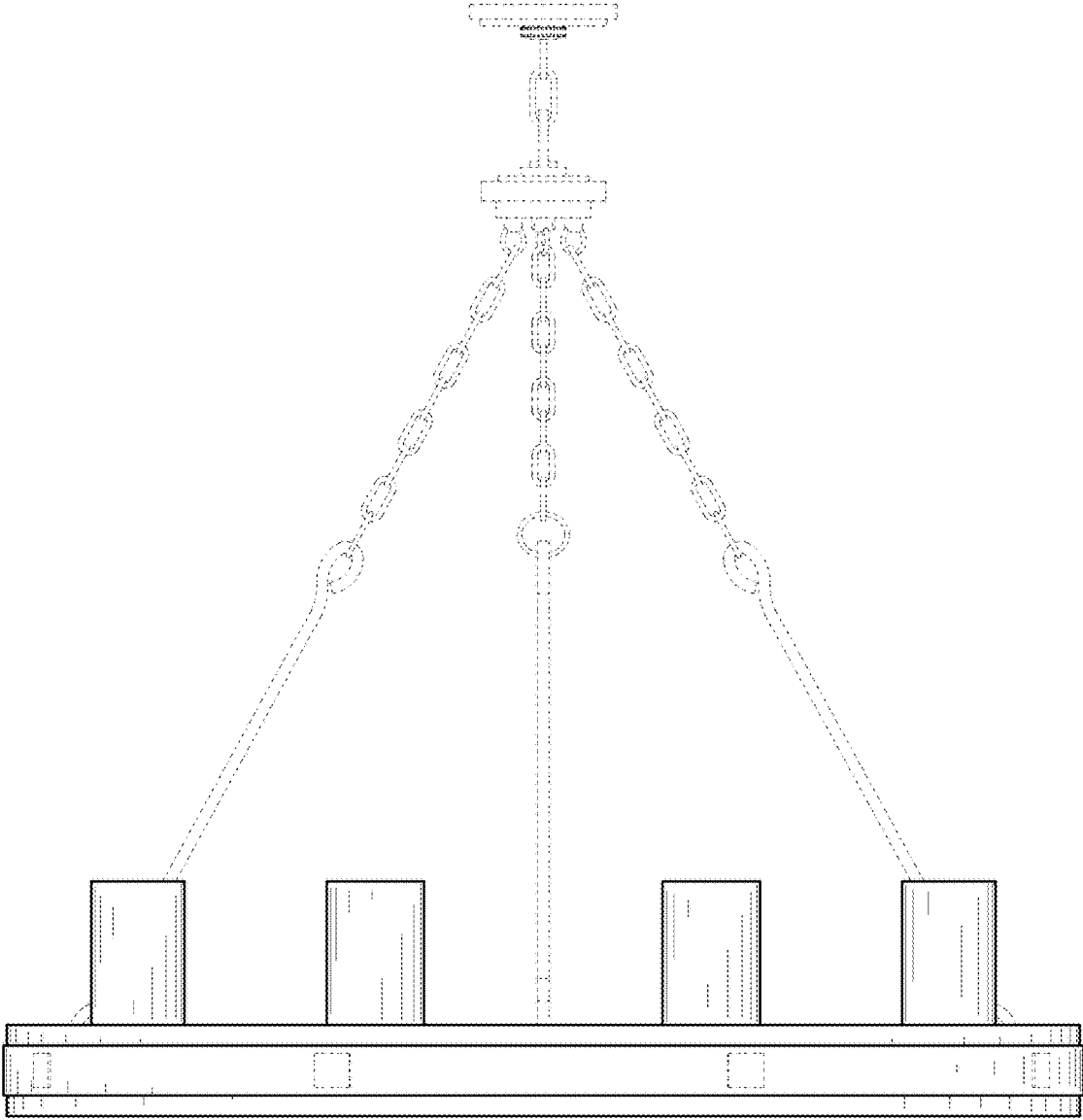


Fig. 12

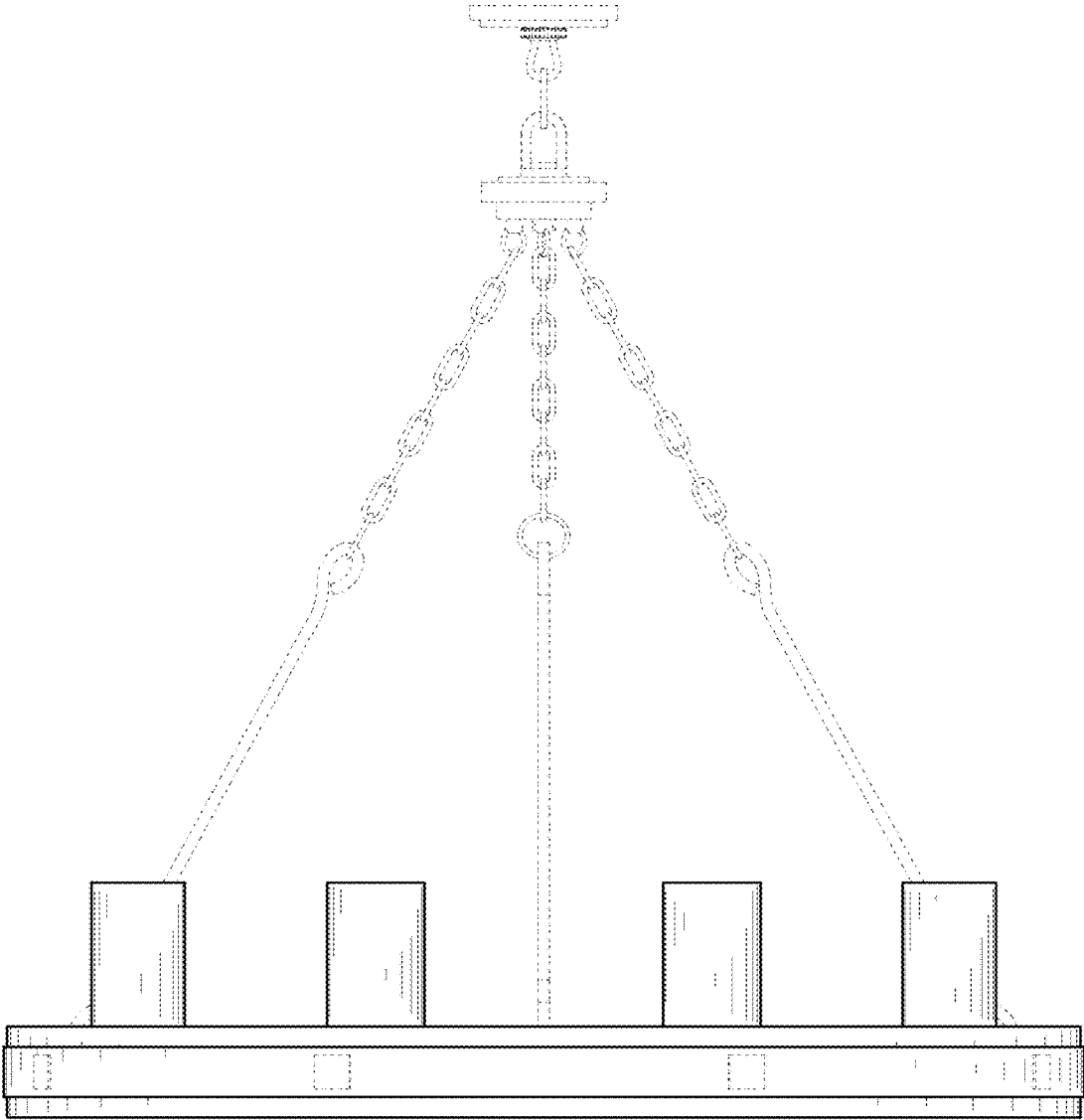


Fig. 13

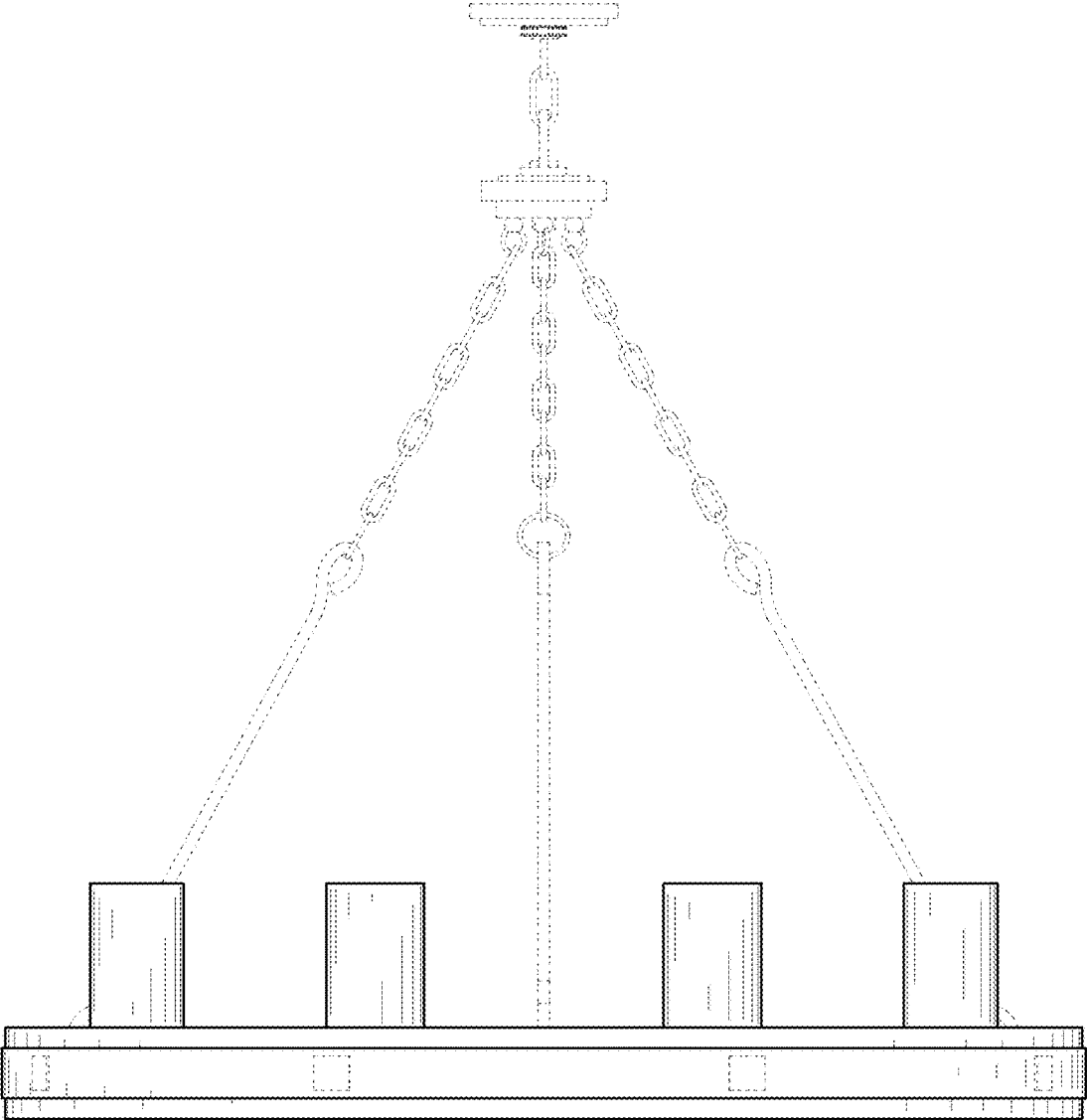


Fig. 14



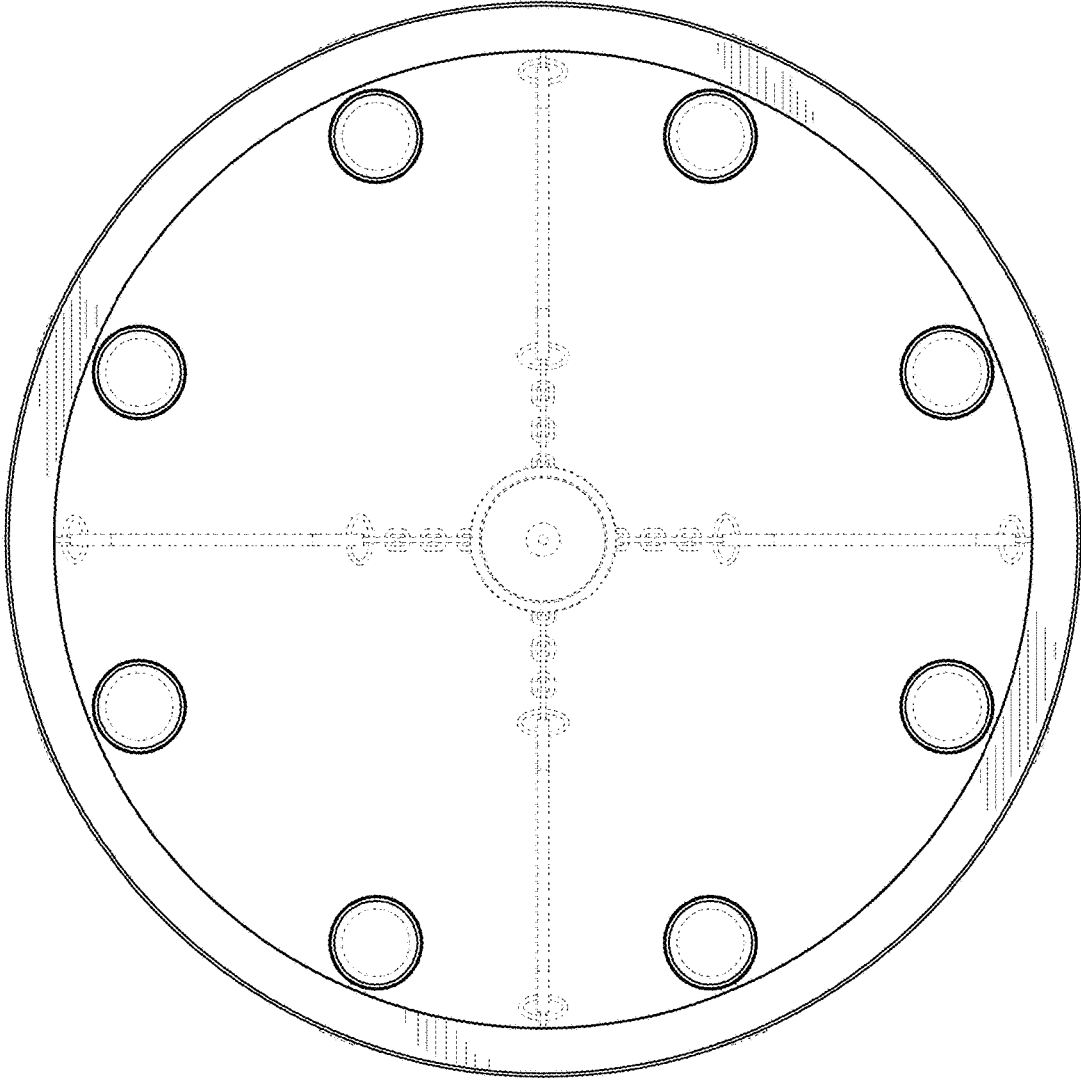


Fig. 15

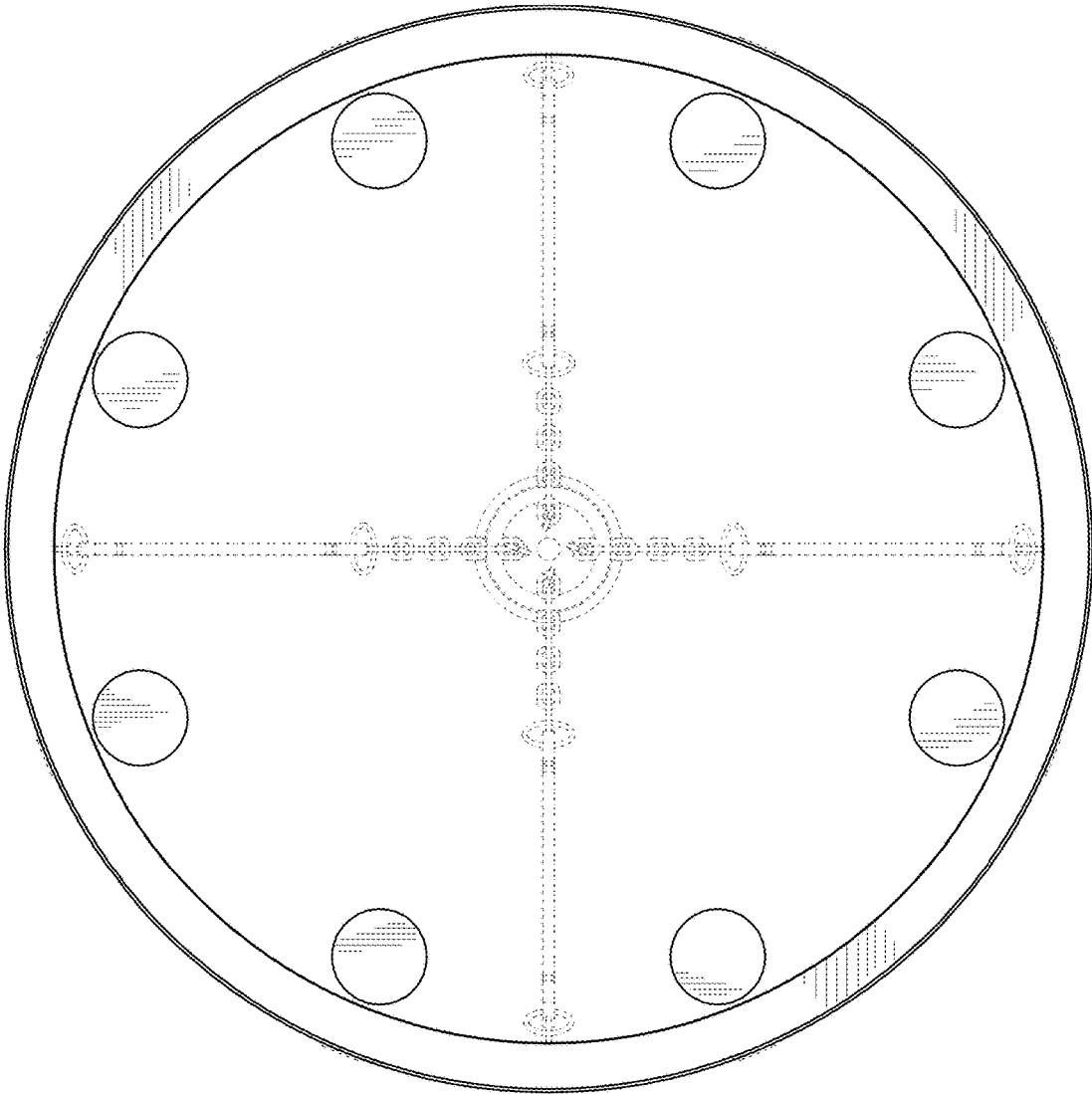


Fig. 16