



US0D1020926S

(12) **United States Design Patent**  
**Klenk**

(10) **Patent No.:** **US D1,020,926 S**  
(45) **Date of Patent:** **\*\* \*Apr. 2, 2024**

(54) **TOY**  
(71) Applicant: **Bruder Spielwaren GmbH + Co. KG,**  
Fürth (DE)  
(72) Inventor: **Rainer Klenk,** Langenzenn (DE)  
(73) Assignee: **Bruder Spielwaren GmbH + Co. KG,**  
Fürth (DE)

4,329,109 A \* 5/1982 Den Bleyker ..... E02F 9/0808  
414/685  
D364,408 S \* 11/1995 Bryant ..... E02F 9/0891  
D15/25  
D431,575 S \* 10/2000 Park ..... B62D 5/09  
D15/25

(Continued)

**FOREIGN PATENT DOCUMENTS**

(\* ) Notice: This patent is subject to a terminal disclaimer.  
(\*\*) Term: **15 Years**

EM 002176347-0001 \* 2/2013  
EM 004500726-0001 \* 12/2017  
WO D052752-002 \* 10/2000

**OTHER PUBLICATIONS**

(21) Appl. No.: **29/694,329**  
(22) Filed: **Jun. 10, 2019**

“Bruder 02430 Liebherr Articulated Road Loader,” Jun. 12, 2006, amazon.com, site visited Sep. 15, 2021, URL: [https://www.amazon.com/Liebherr-Articulated-Road-Loader-574/dp/B00005BH1P/ref=asc\\_df\\_B00005BH1P/](https://www.amazon.com/Liebherr-Articulated-Road-Loader-574/dp/B00005BH1P/ref=asc_df_B00005BH1P/) (Year: 2006).\*

(Continued)

(30) **Foreign Application Priority Data**

Dec. 12, 2018 (WO) ..... 970 003 487

(51) **LOC (14) Cl.** ..... **21-01**  
(52) **U.S. Cl.**

USPC ..... **D21/537; D21/533**

(58) **Field of Classification Search**

USPC ..... D12/93, 96, 97, 99; D21/537, 533, 552, D21/548, 424, 434, 419, 427, 433, 431, D21/539, 550, 551, 553, 554, 557, 559, D21/561, 562, 549; D15/23–25, 28, 32  
CPC ..... B62D 49/02; B62D 25/10; E02F 3/306; E02F 3/32; E02F 3/325; E02F 3/38; E02F 3/30; E02F 3/964; E02F 9/00; E02F 9/0841; E02F 9/0816; B60Y 2200/41; B60Y 2200/412; F01N 2590/08

See application file for complete search history.

*Primary Examiner* — Richard Kearney  
*Assistant Examiner* — Sarah L Smith  
(74) *Attorney, Agent, or Firm* — Craig R. Miles; CR MILES P.C.

(57) **CLAIM**

The ornamental design for a toy, as shown and described.

**DESCRIPTION**

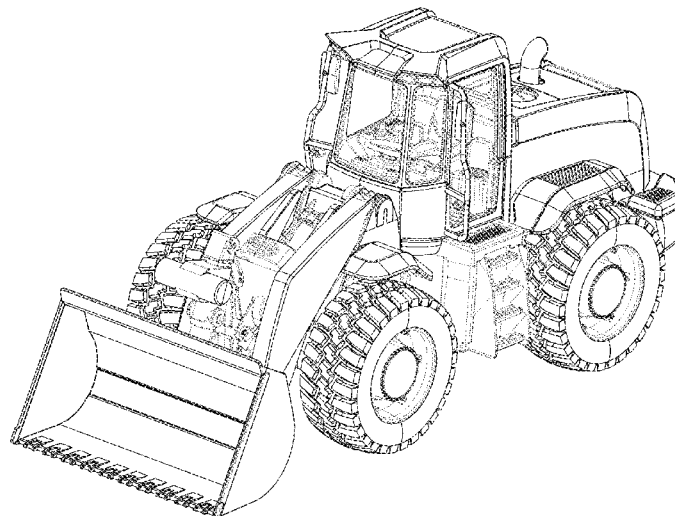
FIG. 1 is a front view of a toy, showing my new design; FIG. 2 is a rear view thereof; FIG. 3 is a top view thereof; FIG. 4 is a bottom view thereof; FIG. 5 is a lateral view (right side) thereof; FIG. 6 is a lateral view (left side) thereof; and, FIG. 7 is a perspective view thereof. The broken lines shown in the drawings do not form a part of the claimed design.

(56) **References Cited**

**U.S. PATENT DOCUMENTS**

D242,734 S \* 12/1976 Breneman ..... B62D 5/20  
D21/554  
D264,106 S \* 4/1982 Orenstein ..... F01N 13/002  
D21/537

**1 Claim, 7 Drawing Sheets**



(56)

References Cited

U.S. PATENT DOCUMENTS

D549,738 S \* 8/2007 Hiraoka ..... B60K 11/02  
 D15/25  
 D590,846 S \* 4/2009 Kinsinger ..... B60K 13/04  
 D15/22  
 D678,425 S \* 3/2013 Foster ..... E02F 9/166  
 D21/537  
 D688,712 S \* 8/2013 Suzuki ..... D15/23  
 D693,853 S \* 11/2013 Hiraoka ..... D15/23  
 D714,837 S \* 10/2014 Jacobsthal ..... D15/30  
 D742,424 S \* 11/2015 Turner ..... D15/25  
 D747,747 S \* 1/2016 Turner ..... D15/25  
 D819,705 S \* 6/2018 Ulmefors ..... D15/25  
 D828,406 S \* 9/2018 van der Zande ..... D15/23  
 D896,849 S \* 9/2020 Wu ..... D15/25  
 D911,396 S \* 2/2021 Ninomiya ..... D15/25  
 D915,469 S \* 4/2021 Ninomiya ..... D15/25  
 D927,559 S \* 8/2021 Shinde ..... E02F 9/0808  
 D15/24  
 11,401,695 B2 \* 8/2022 Hyodo ..... E02F 9/226  
 11,536,008 B2 \* 12/2022 Daimon ..... G01G 19/12  
 D977,031 S \* 1/2023 Klenk ..... D21/537  
 2015/0361636 A1 \* 12/2015 Yoshizawa ..... B60K 6/54  
 701/50

2016/0265193 A1 \* 9/2016 Ohmura ..... B60K 11/02  
 2016/0265194 A1 \* 9/2016 Ohmura ..... B60K 13/04  
 2016/0273425 A1 \* 9/2016 Hatazaki ..... F01N 13/002  
 2017/0073929 A1 \* 3/2017 Tanaka ..... E02F 9/0891  
 2019/0017245 A1 \* 1/2019 Takenaka ..... B62D 5/09  
 2019/0360173 A1 \* 11/2019 Hayashi ..... B62D 5/20  
 2020/0141088 A1 \* 5/2020 Myers ..... E02F 3/431  
 2020/0354925 A1 \* 11/2020 Kato ..... E02F 9/166  
 2022/0063624 A1 \* 3/2022 Takenaka ..... F16H 61/66  
 2022/0106763 A1 \* 4/2022 Yamawaki ..... E02F 9/2228  
 2022/0316502 A1 \* 10/2022 Cliff ..... E02F 9/00

OTHER PUBLICATIONS

“It’s always more fun with a friend,” May 14, 2015, facebook.com, site visited Sep. 15, 2021, URL: <https://www.facebook.com/brudertoys/photos/10152778344787051> (Year: 2015).\*  
 “Caterpillar 980K Wheel Loader,” Dec. 23, 2016, amazon.com, site visited Sep. 15, 2021, URL: [https://www.amazon.com/Caterpillar-Wheel-Loader-Configuration-Vehicle/dp/B01EHKMZ2Y/ref=asc\\_df\\_B01EHKMZ2Y/](https://www.amazon.com/Caterpillar-Wheel-Loader-Configuration-Vehicle/dp/B01EHKMZ2Y/ref=asc_df_B01EHKMZ2Y/) (Year: 2016).\*  
 “Cat® Compact and Small Wheel Loaders in Action,” Feb. 16, 2016, youtube.com, site visited Sep. 15, 2021, URL: <https://www.youtube.com/watch?v=cNPCe519gh0> (Year: 2016).\*

\* cited by examiner

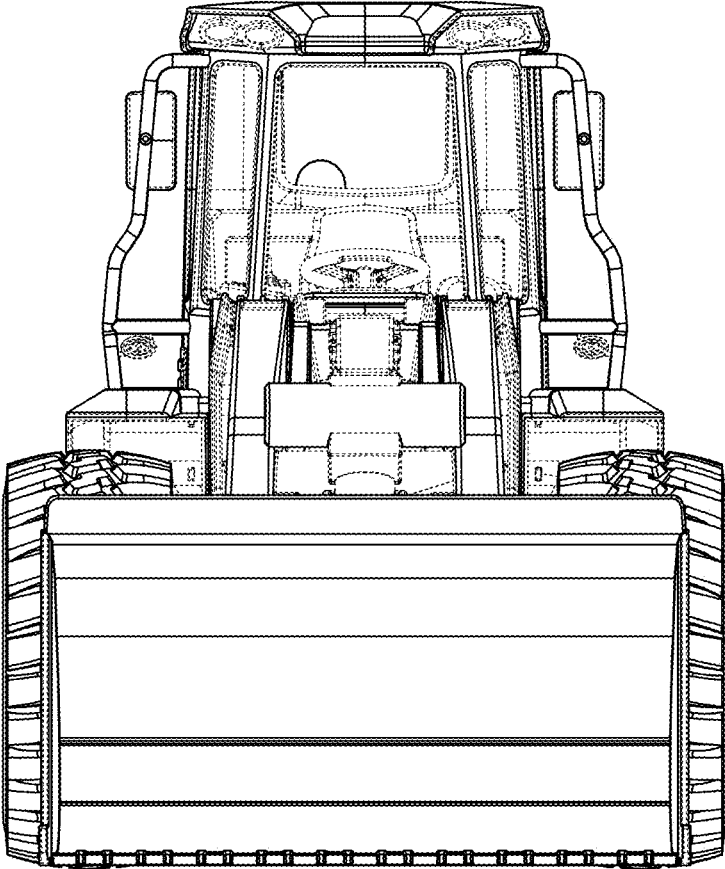


Fig. 1

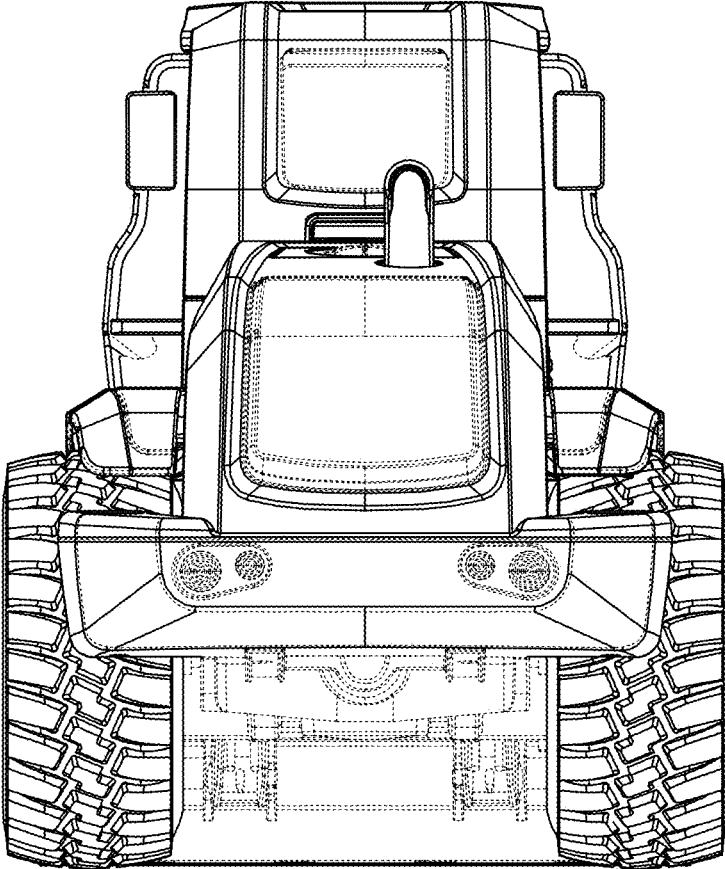


Fig. 2

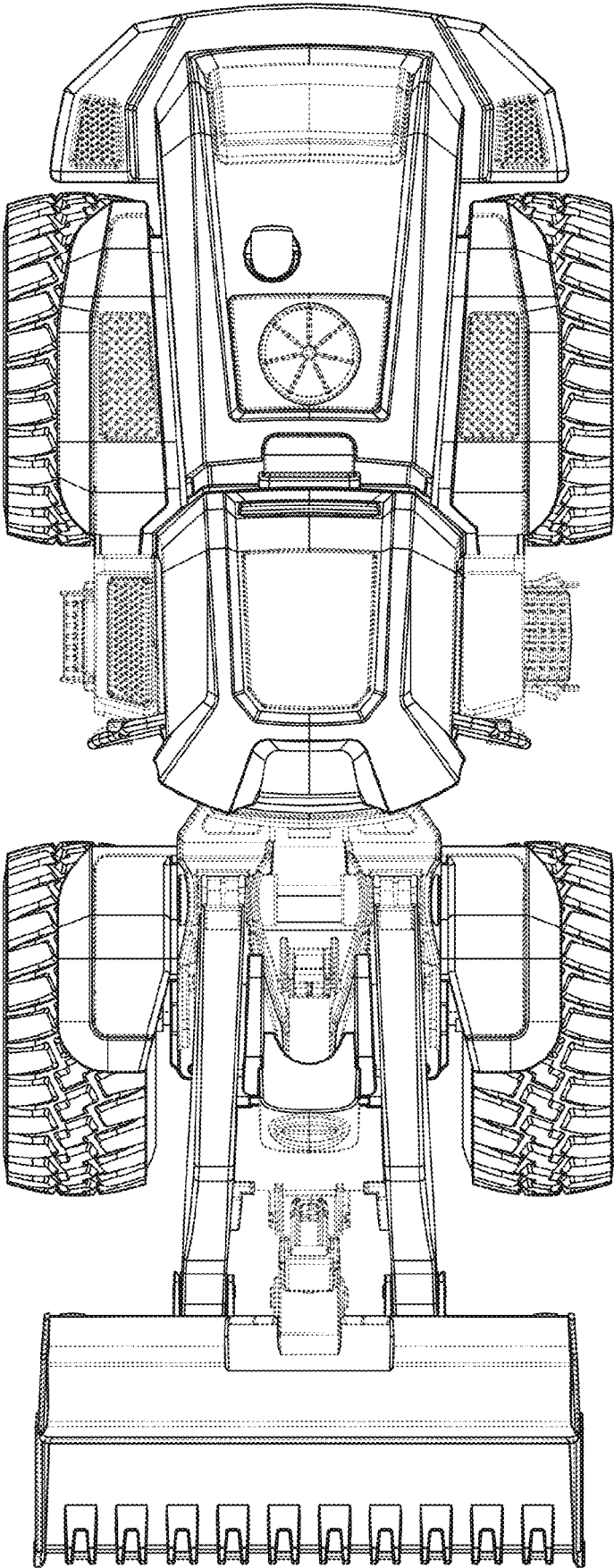


Fig. 3

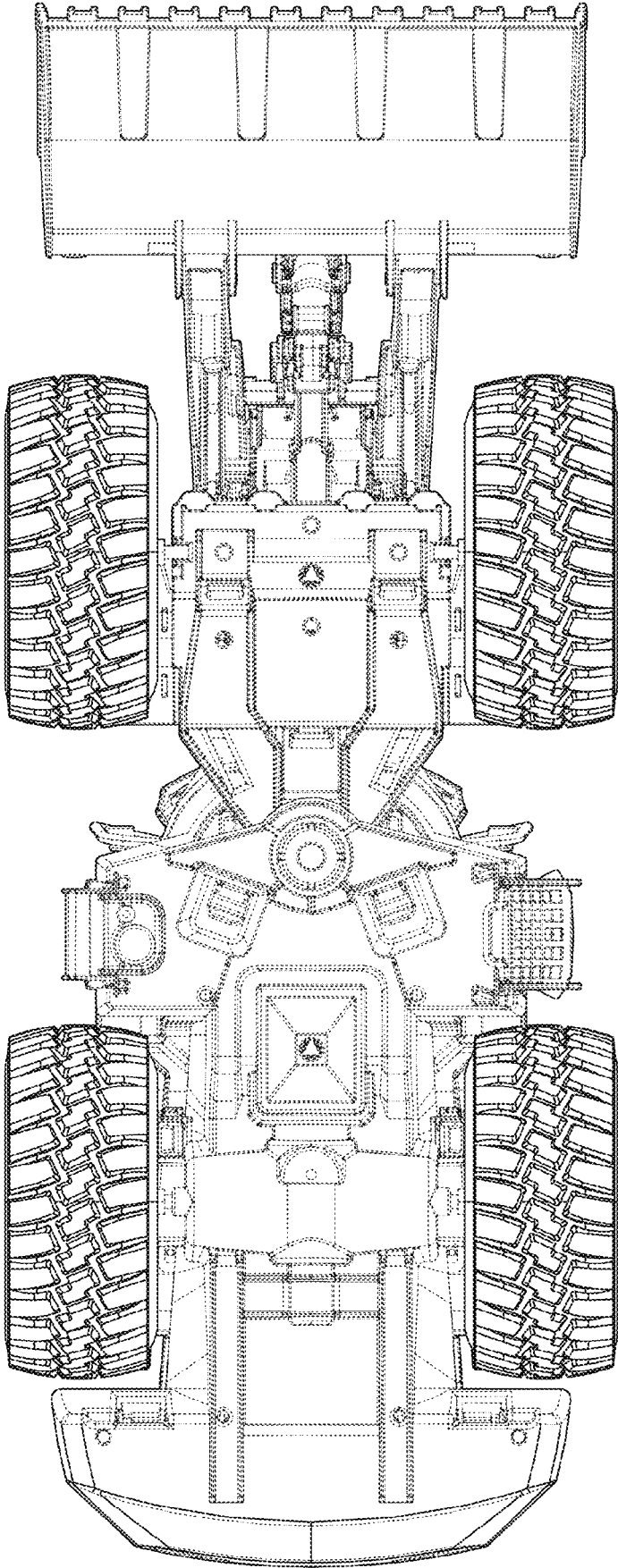


Fig. 4

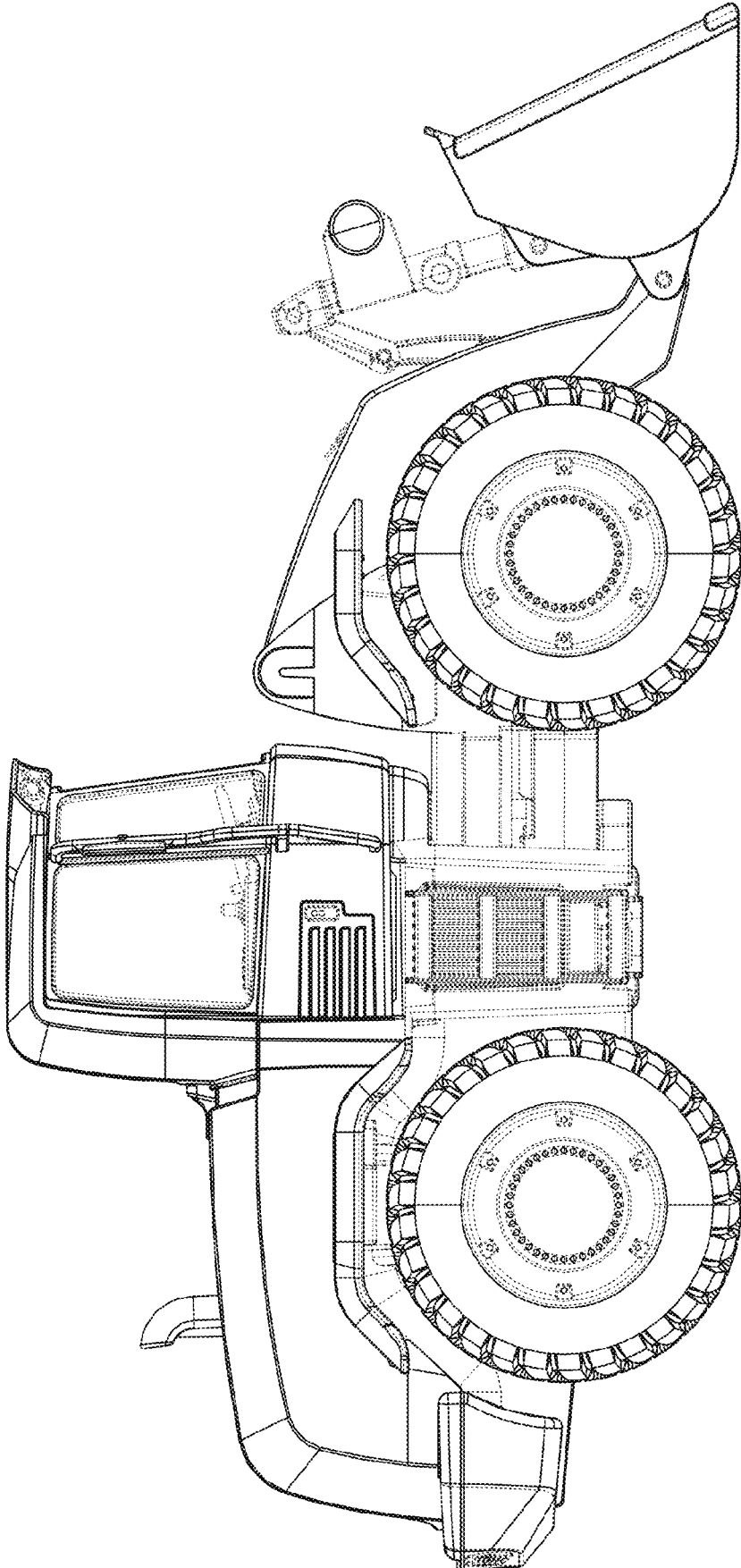


Fig. 5

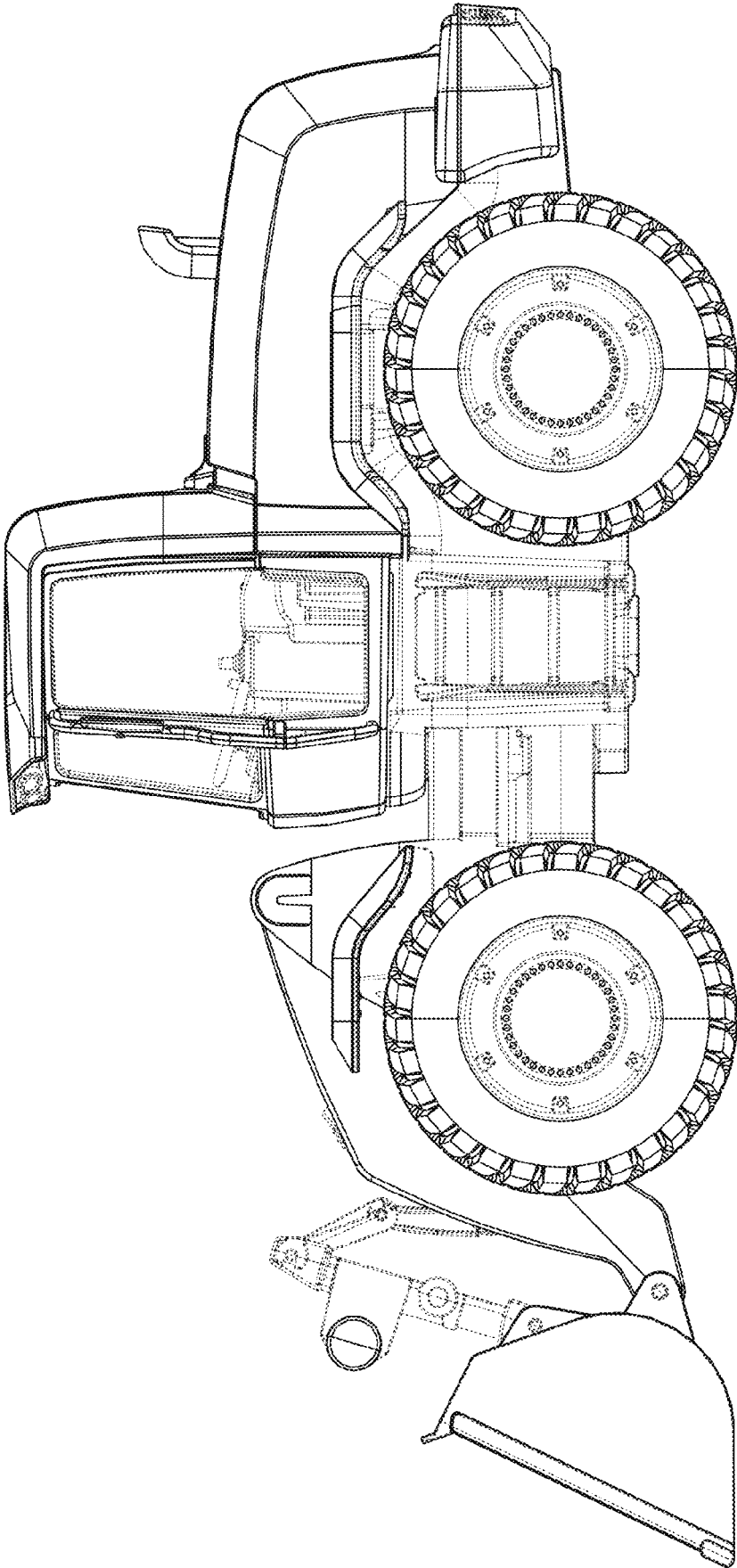


Fig. 6



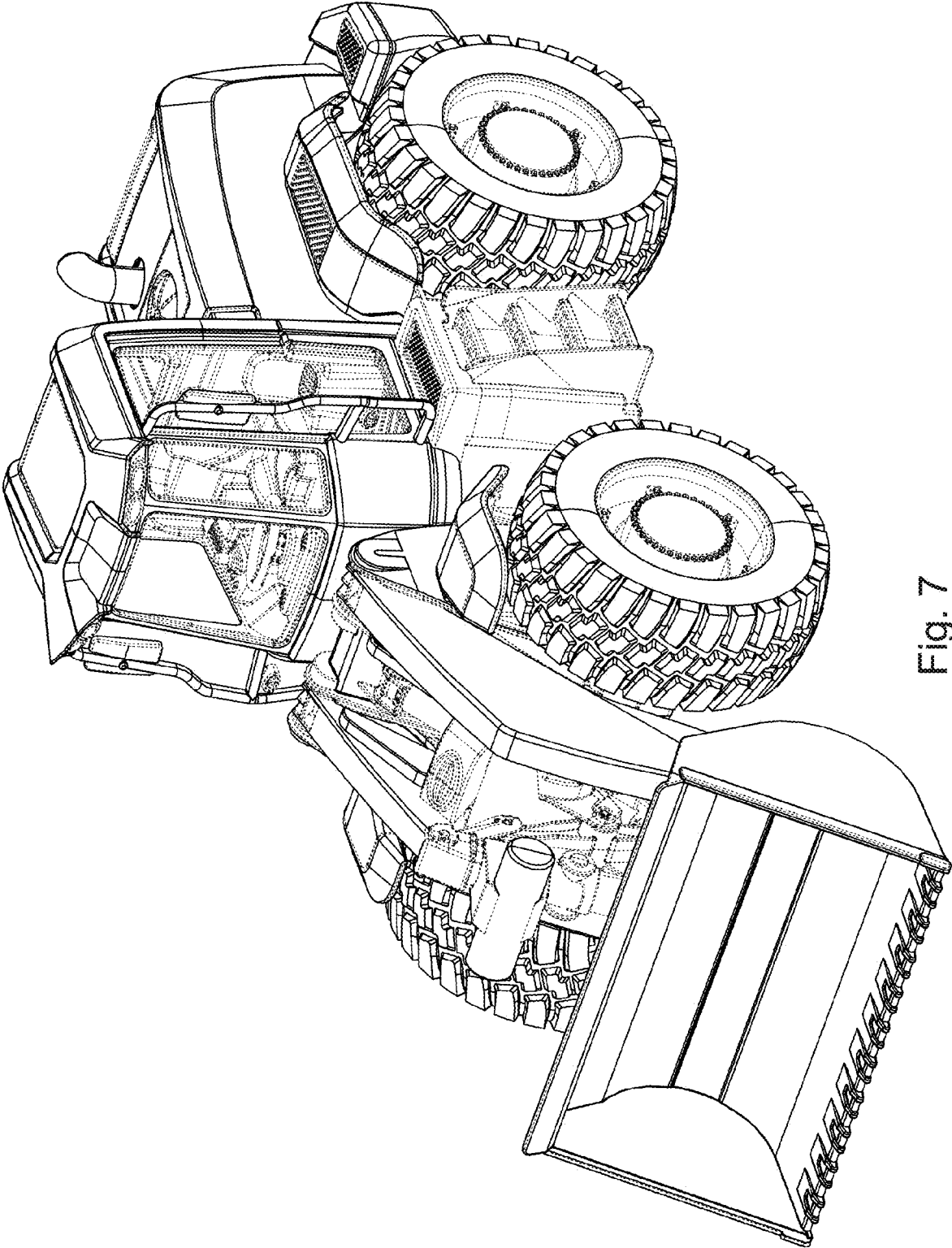


Fig. 7