

(19) World Intellectual Property Organization
International Bureau



(43) International Publication Date
20 October 2005 (20.10.2005)

PCT

(10) International Publication Number
WO 2005/097667 A3

- (51) International Patent Classification:
B01L 3/00 (2006.01) *B01L 11/00* (2006.01)
B01L 9/00 (2006.01)
- (21) International Application Number:
PCT/US2005/011025
- (22) International Filing Date: 1 April 2005 (01.04.2005)
- (25) Filing Language: English
- (26) Publication Language: English
- (30) Priority Data:
60/559,383 2 April 2004 (02.04.2004) US

KG, KP, KR, KZ, LC, LK, LR, LS, LT, LU, LV, MA, MD, MG, MK, MN, MW, MX, MZ, NA, NI, NO, NZ, OM, PG, PH, PL, PT, RO, RU, SC, SD, SE, SG, SK, SL, SM, SY, TJ, TM, TN, TR, TT, TZ, UA, UG, US, UZ, VC, VN, YU, ZA, ZM, ZW.

- (71) Applicant (for all designated States except US): **EKSI-GENT TECHNOLOGIES LLC** [US/US]; 2021 Las Positas Court, Suite 161, Livermore, CA 94550 (US).
- (72) Inventor; and
- (75) Inventor/Applicant (for US only): **ARNOLD, Don, W.** [US/US]; 1746 Old Tower Road, Livermore, CA 94550 (US).
- (74) Agents: **SHELDON, Jeffrey, G.** et al.; Sheldon & Mak, 225 South Lake Avenue, Suite 900, Pasadena, CA 91101 (US).

- (84) Designated States (unless otherwise indicated, for every kind of regional protection available): ARIPO (BW, GH, GM, KE, LS, MW, MZ, NA, SD, SL, SZ, TZ, UG, ZM, ZW), Eurasian (AM, AZ, BY, KG, KZ, MD, RU, TJ, TM), European (AT, BE, BG, CH, CY, CZ, DE, DK, EE, ES, FI, FR, GB, GR, HU, IE, IS, IT, LT, LU, MC, NL, PL, PT, RO, SE, SI, SK, TR), OAPI (BF, BJ, CF, CG, CI, CM, GA, GN, GQ, GW, ML, MR, NE, SN, TD, TG).

Declarations under Rule 4.17:

- as to applicant's entitlement to apply for and be granted a patent (Rule 4.17(ii))
- as to the applicant's entitlement to claim the priority of the earlier application (Rule 4.17(iii))
- of inventorship (Rule 4.17(iv))

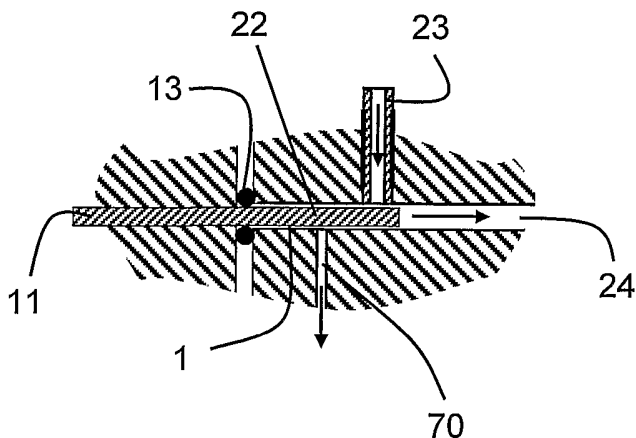
Published:

- with international search report
- before the expiration of the time limit for amending the claims and to be republished in the event of receipt of amendments

(88) Date of publication of the international search report:
13 July 2006

For two-letter codes and other abbreviations, refer to the "Guidance Notes on Codes and Abbreviations" appearing at the beginning of each regular issue of the PCT Gazette.

(54) Title: MICROFLUIDIC DEVICE



(57) Abstract: Microfluidic systems including a principal microfluidic conduit (24), an adjacent dead volume (1) and a drain conduit (70) which mitigates the adverse effects of the dead volume on the operation of the system.

WO 2005/097667 A3

INTERNATIONAL SEARCH REPORT

International application No.

PCT/US05/11025

A. CLASSIFICATION OF SUBJECT MATTER

IPC(7) : B01L 3/00, 3/00, 9/00, 11/00
 US CL : 436/43; 422/50, 68.1, 100, 101, 102, 103, 104

According to International Patent Classification (IPC) or to both national classification and IPC

B. FIELDS SEARCHED

Minimum documentation searched (classification system followed by classification symbols)
 U.S. : 436/43; 422/50, 68.1, 100, 101, 102, 103, 104

Documentation searched other than minimum documentation to the extent that such documents are included in the fields searched
 EAST

Electronic data base consulted during the international search (name of data base and, where practicable, search terms used)
 EAST

C. DOCUMENTS CONSIDERED TO BE RELEVANT

Category *	Citation of document, with indication, where appropriate, of the relevant passages	Relevant to claim No.
A	US 6,238,538 B1 (PARCE et al.) 29 MAY 2001.	1-16
A	US 6,090,251 A (SUNDBERG et al.) 18 JULY 2000.	1-16
A	US 6,167,910 B1 (CHOW) 02 JANUARY 2001.	1-16
A	US 6,274,089 B1 (CHOW et al.) 14 AUGUST 2001.	1-16
A	US 6,709,559 B2 (SUNDBERG et al.) 23 MARCH 2004.	1-16

Further documents are listed in the continuation of Box C.

See patent family annex.

* Special categories of cited documents:	"T"	later document published after the international filing date or priority date and not in conflict with the application but cited to understand the principle or theory underlying the invention
"A" document defining the general state of the art which is not considered to be of particular relevance	"X"	document of particular relevance; the claimed invention cannot be considered novel or cannot be considered to involve an inventive step when the document is taken alone
"E" earlier application or patent published on or after the international filing date	"Y"	document of particular relevance; the claimed invention cannot be considered to involve an inventive step when the document is combined with one or more other such documents, such combination being obvious to a person skilled in the art
"L" document which may throw doubts on priority claim(s) or which is cited to establish the publication date of another citation or other special reason (as specified)	"&"	document member of the same patent family
"O" document referring to an oral disclosure, use, exhibition or other means		
"P" document published prior to the international filing date but later than the priority date claimed		

Date of the actual completion of the international search
 09 June 2005 (09.06.2005)

Date of mailing of the international search report
 15 MAY 2005

Name and mailing address of the ISA/US
 Mail Stop PCT, Attn: ISA/US
 Commissioner for Patents
 P.O. Box 1450
 Alexandria, Virginia 22313-1450
 Facsimile No. (703) 305-3230

Authorized officer
 B.J. Sines *[Signature]*
 Telephone No. (571) 272-1700