



US00D960347S

(12) **United States Design Patent**
Li

(10) **Patent No.:** **US D960,347 S**

(45) **Date of Patent:** **** Aug. 9, 2022**

- (54) **FAN**
- (71) Applicant: **SHENZHEN JISU TECHNOLOGY CO., LTD**, Shenzhen (CN)
- (72) Inventor: **Xiangfu Li**, Shenzhen (CN)
- (73) Assignee: **SHENZHEN JISU TECHNOLOGY CO., LTD.**, Shenzhen (CN)
- (**) Term: **15 Years**

D385,344 S *	10/1997	Green	D23/366
D392,695 S *	3/1998	Haupt	D23/385
D398,976 S *	9/1998	Green	D23/366
D593,237 S *	5/2009	Chernick	D26/37
7,631,814 B2 *	12/2009	Zarebinski	A61L 9/12 239/58
D767,747 S *	9/2016	Wang	D23/379
D828,941 S *	9/2018	Holmes	D26/89
D931,536 S *	9/2021	Li	D28/50
D933,802 S *	10/2021	Wang	D23/379
D941,452 S *	1/2022	O'Connell	D23/377
D948,023 S *	4/2022	Wang	D23/377

- (21) Appl. No.: **29/761,370**
- (22) Filed: **Dec. 9, 2020**

* cited by examiner

Primary Examiner — Sharon S Oum

(30) **Foreign Application Priority Data**

Aug. 10, 2020 (CN) 202030450309.7

- (51) **LOC (13) CL.** **23-04**
- (52) **U.S. CL.**

USPC **D23/377; D23/379**

(58) **Field of Classification Search**

USPC D23/370, 377, 379, 385, 411–414, 332, D23/333, 336, 341

CPC F04D 25/088; F04D 29/38; F04D 29/384; F04D 29/386; F21V 33/0096

See application file for complete search history.

(56) **References Cited**

U.S. PATENT DOCUMENTS

D283,156 S *	3/1986	Mandelli	D26/26
D334,976 S *	4/1993	Yuen	D23/377

(57) **CLAIM**

The ornamental design for a fan, as shown and described.

DESCRIPTION

FIG. 1 is a perspective view of a fan showing my new design;

FIG. 2 is another perspective view thereof;

FIG. 3 is a front elevational view thereof;

FIG. 4 is a rear elevational view thereof;

FIG. 5 is a left side elevational view thereof;

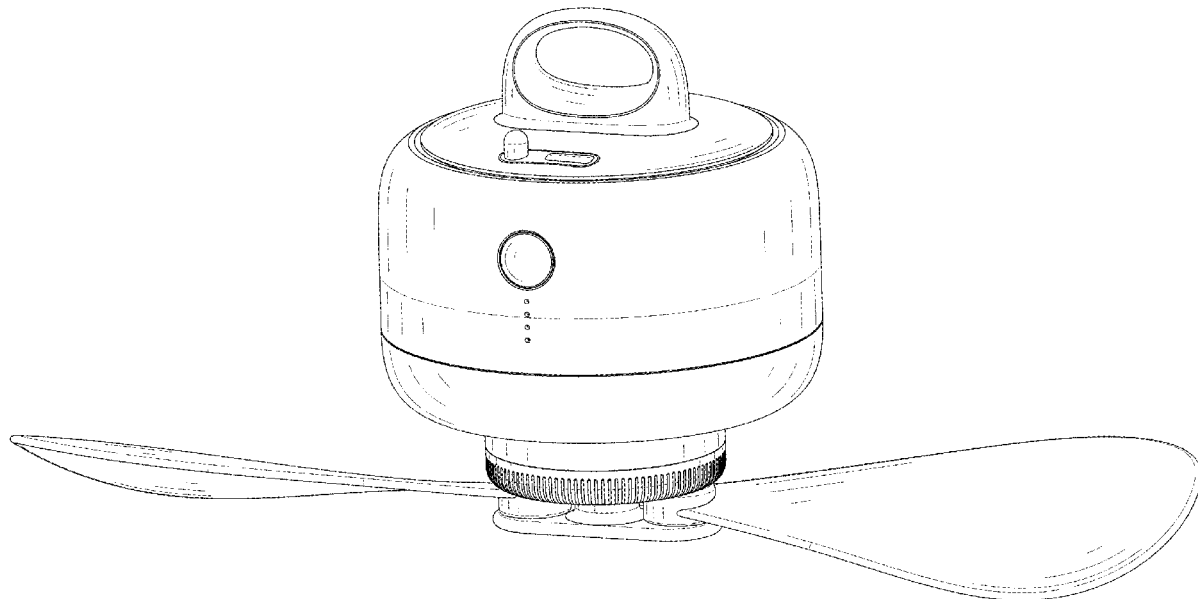
FIG. 6 is a right side elevational view thereof;

FIG. 7 is a top plan view thereof; and,

FIG. 8 is a bottom plan view thereof.

The broken lines in the drawings depict portions of the fan that form no part of the claimed design.

1 Claim, 8 Drawing Sheets



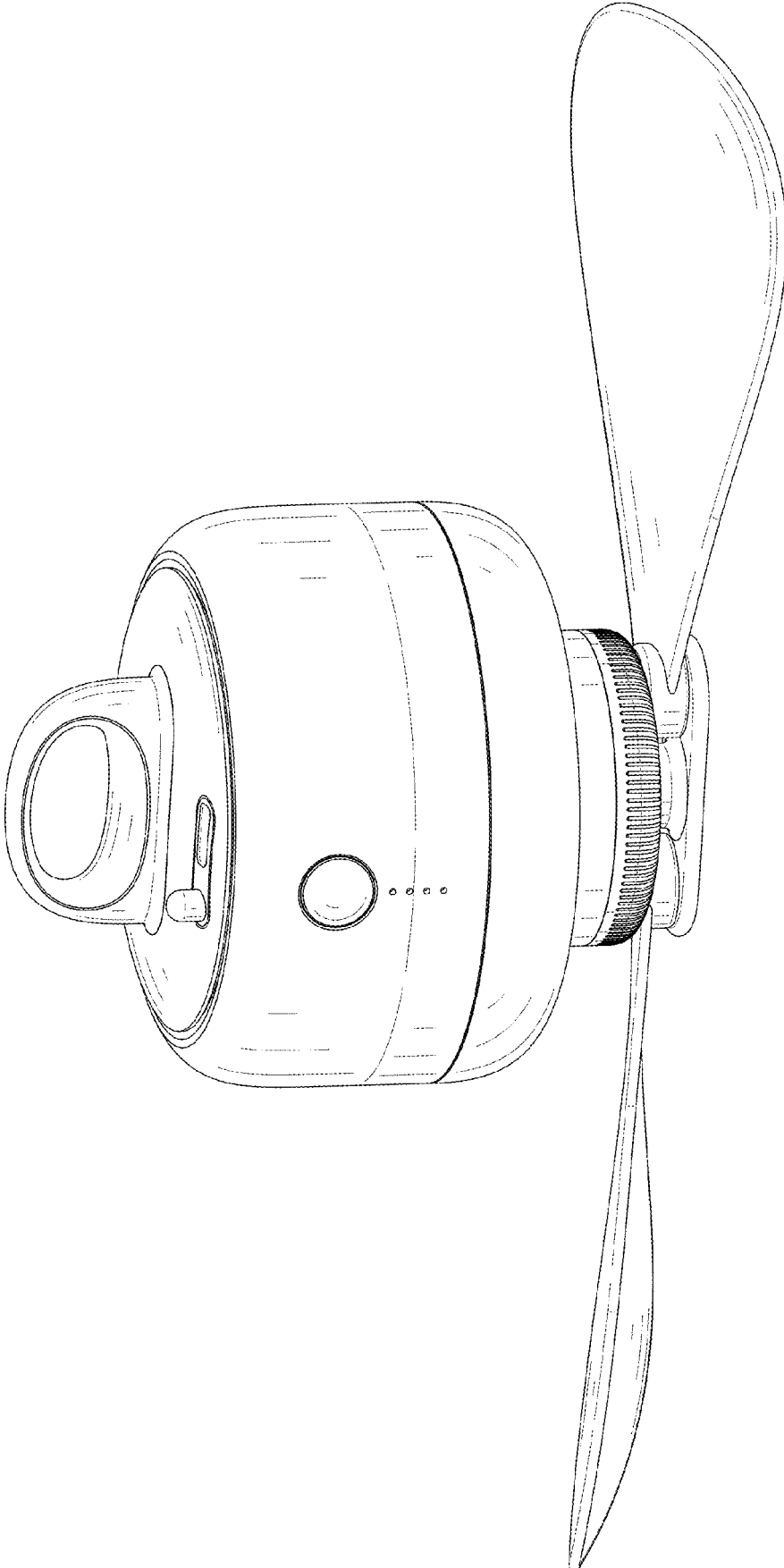


FIG. 1

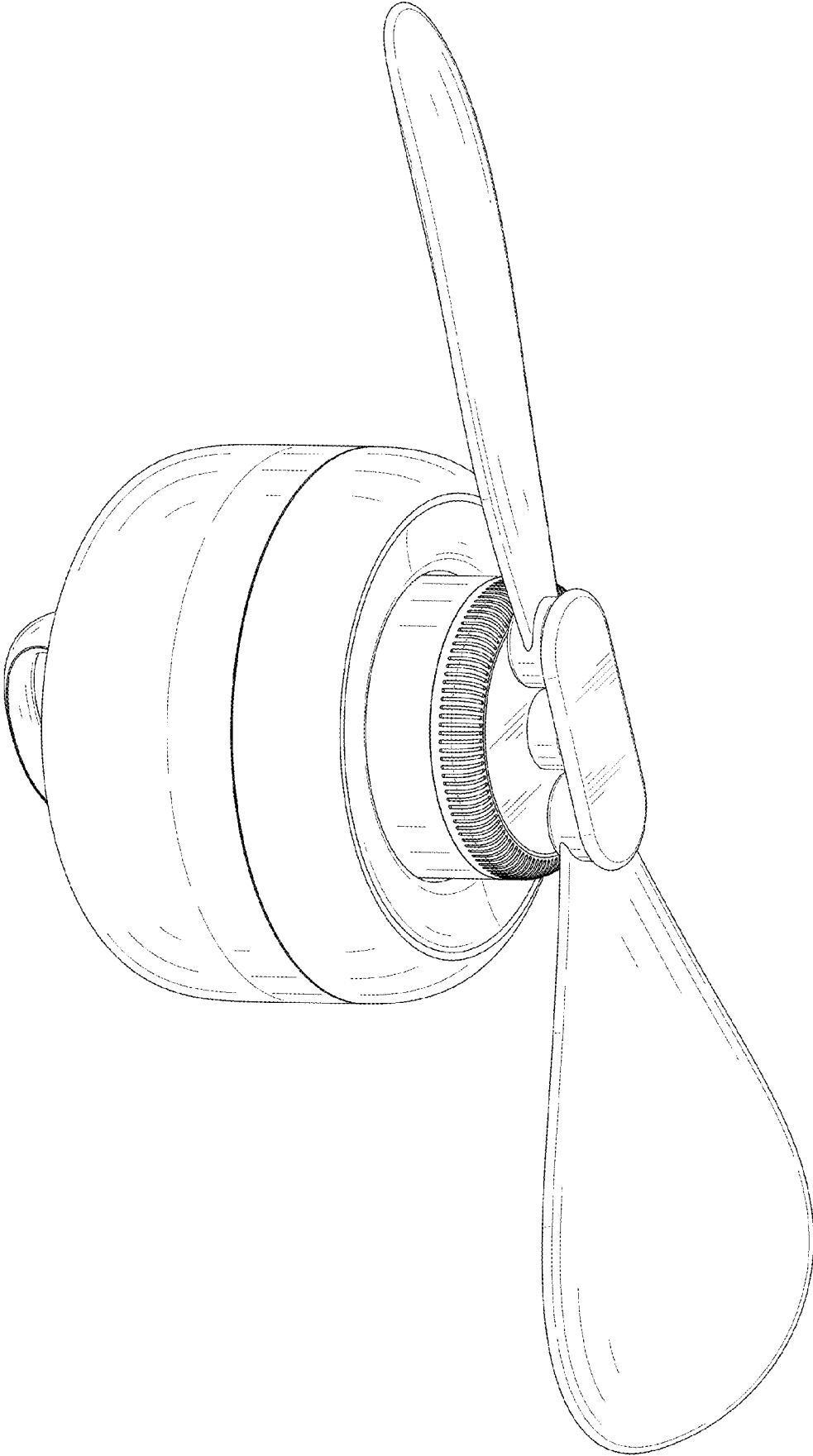


FIG. 2

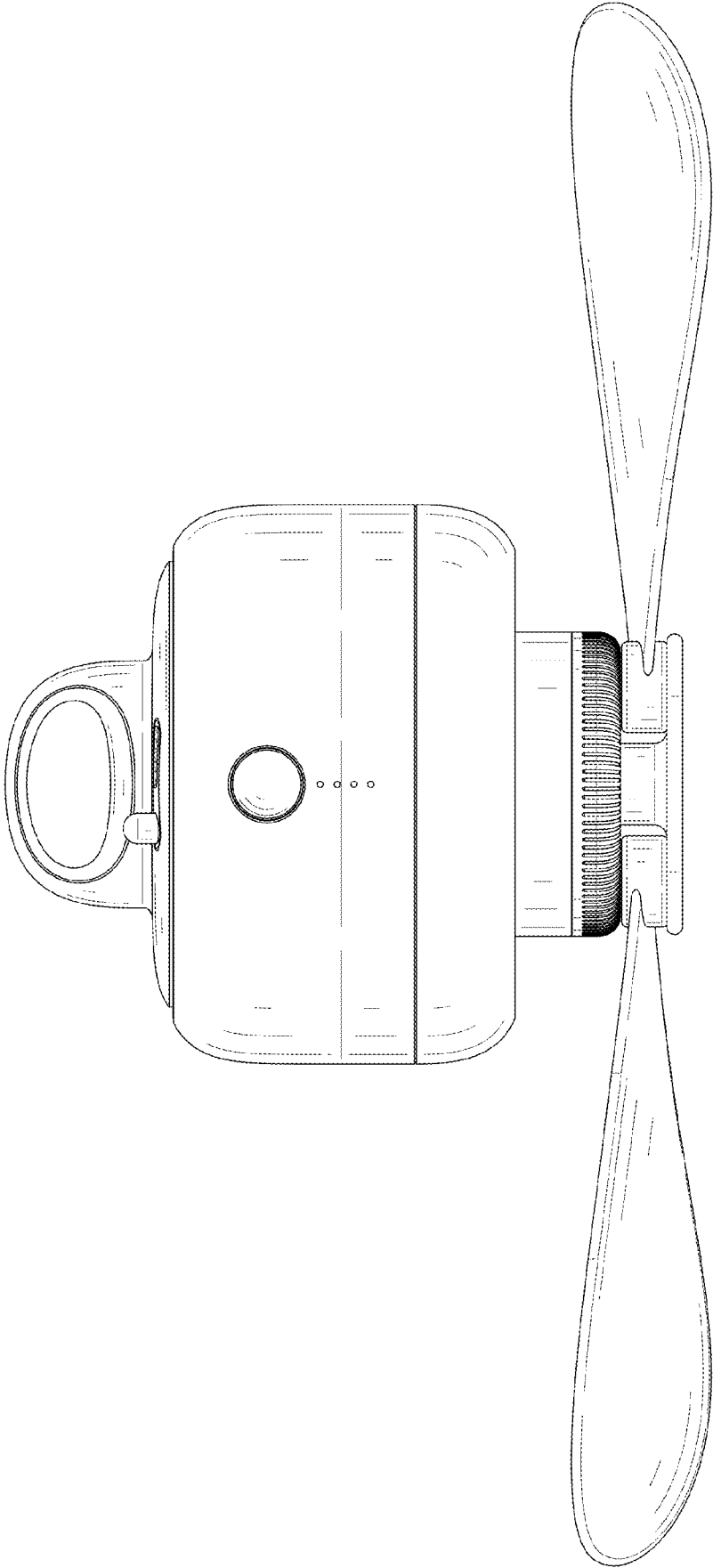


FIG. 3

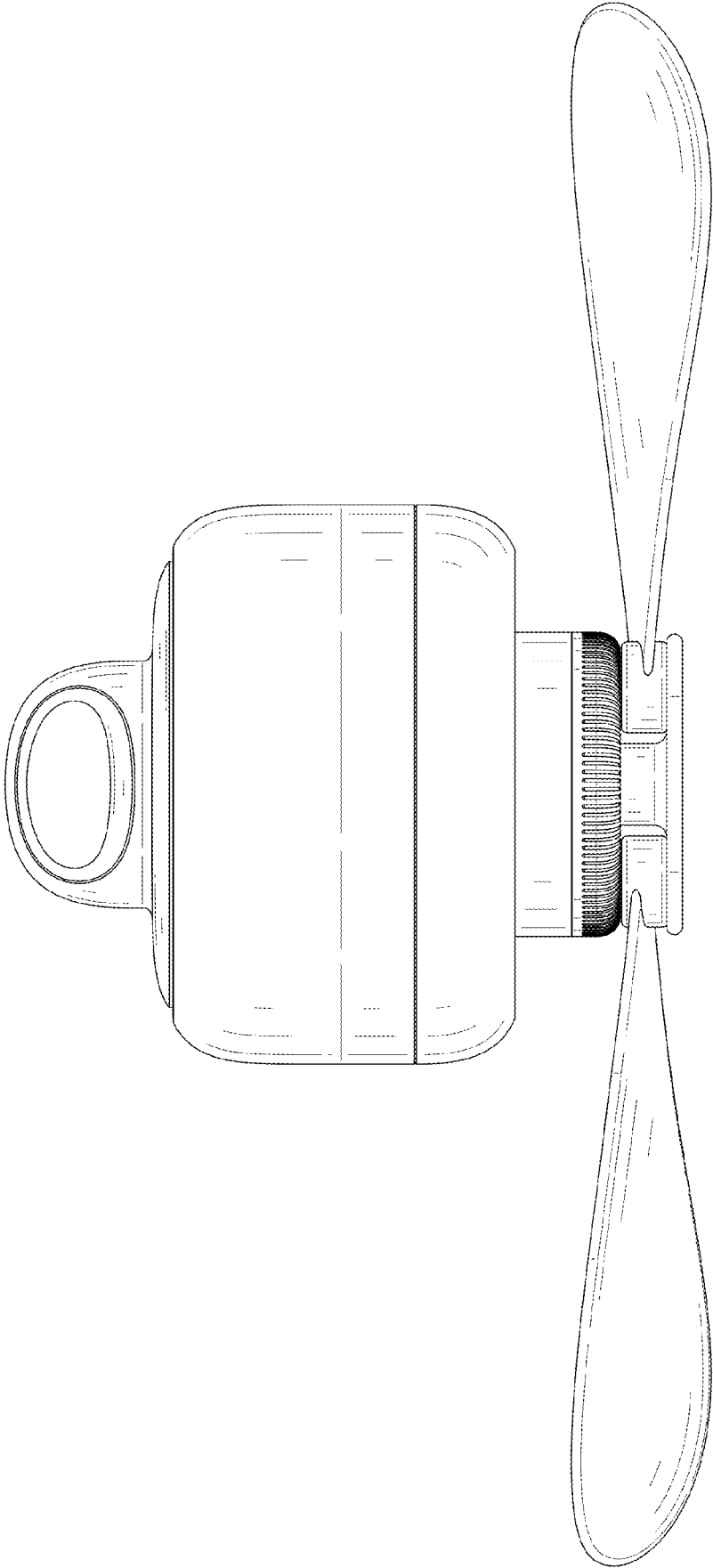


FIG. 4

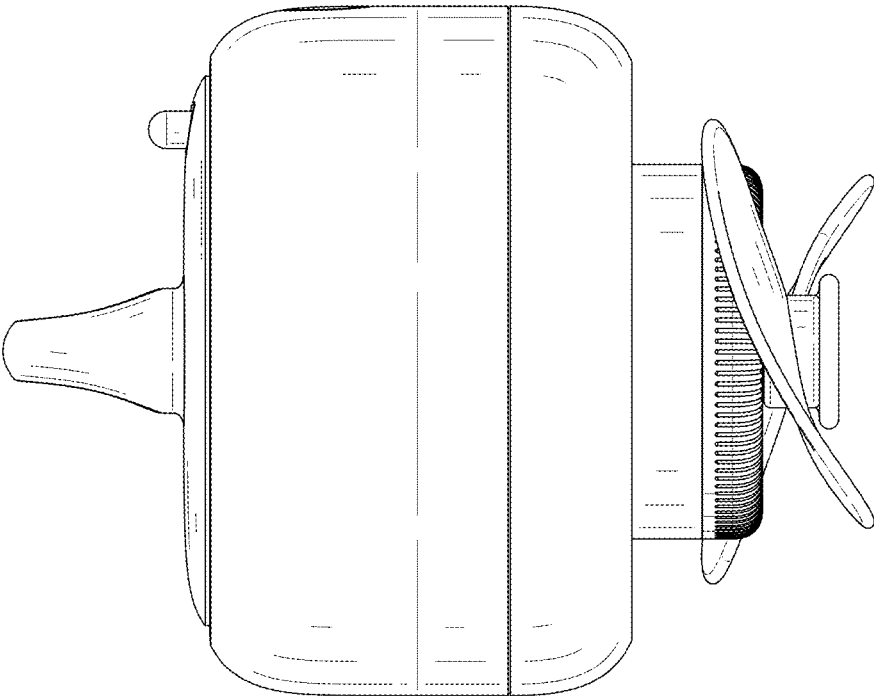


FIG. 5

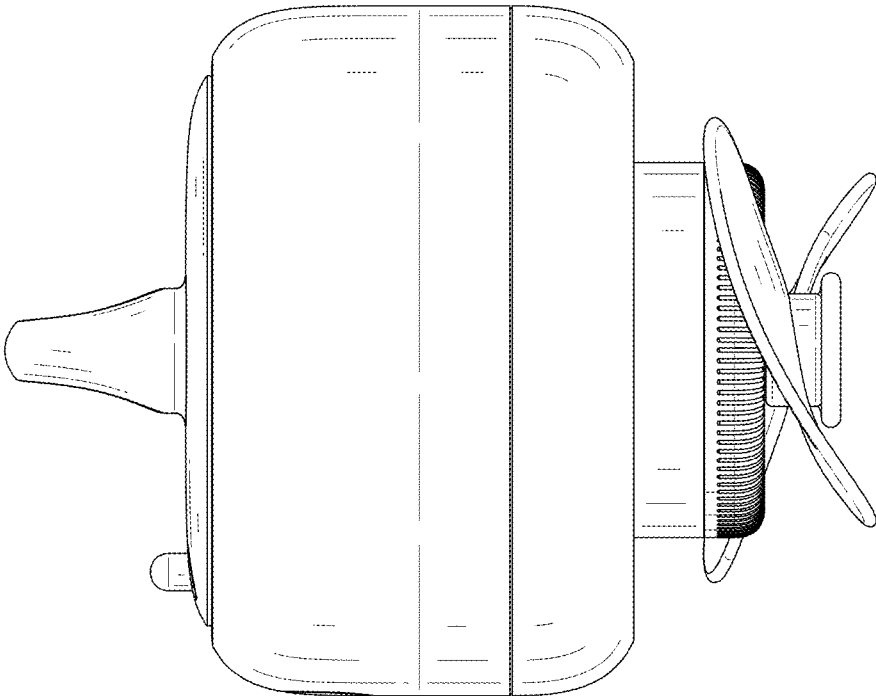


FIG. 6

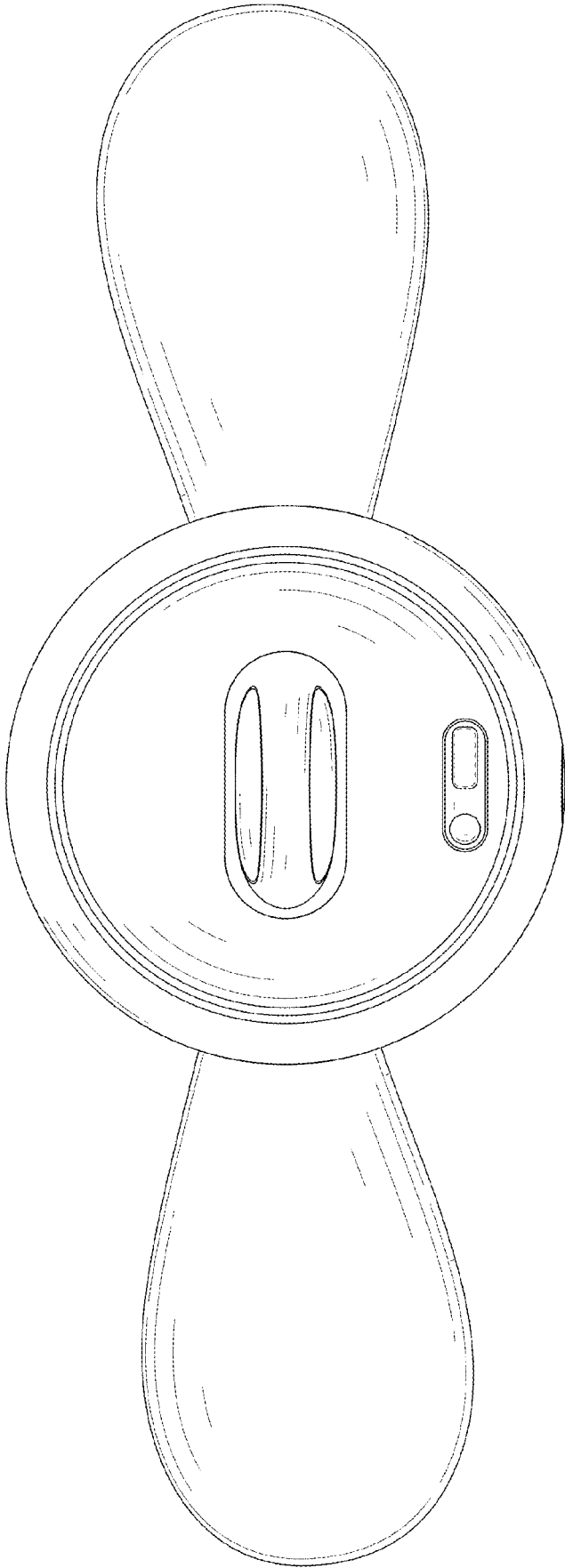


FIG. 7

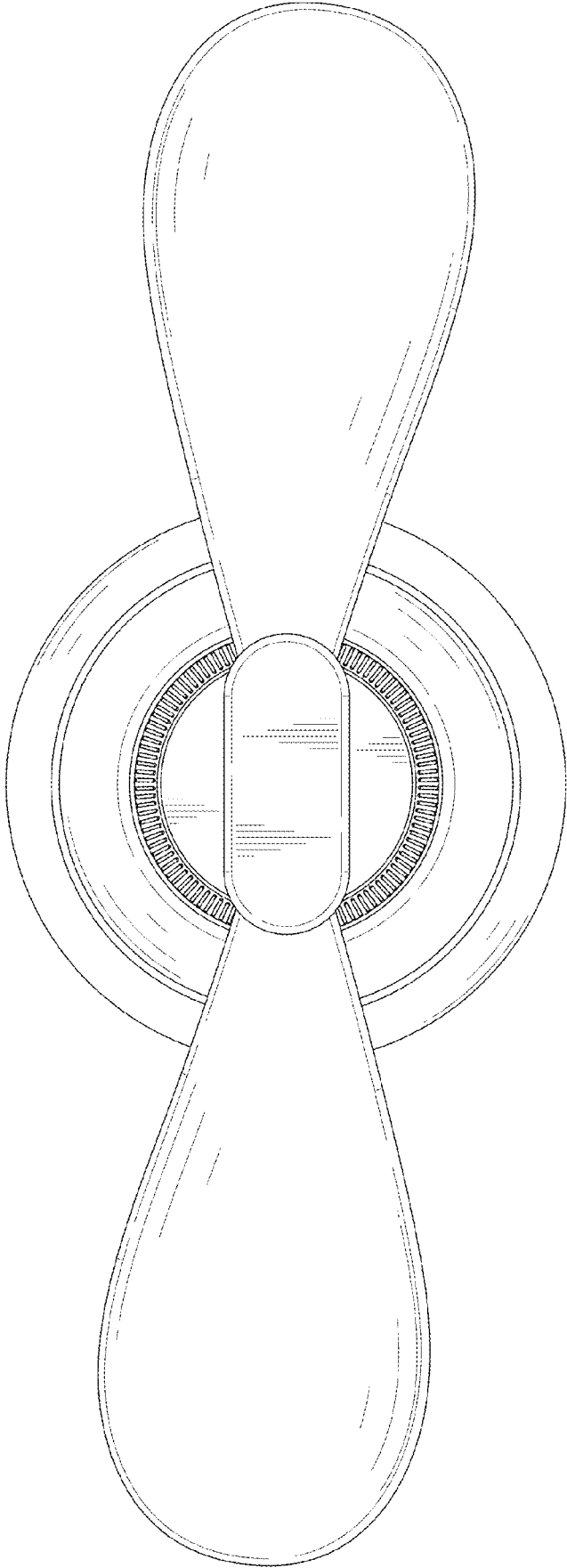


FIG. 8