



US00D865245S

(12) **United States Design Patent** (10) **Patent No.:** **US D865,245 S**
Kim et al. (45) **Date of Patent:** **** Oct. 29, 2019**

(54) **HEADLAMP FOR AN AUTOMOBILE**
(71) Applicants: **HYUNDAI MOTOR COMPANY**,
Seoul (KR); **KIA MOTORS CORPORATION**, Seoul (KR)
(72) Inventors: **Gyu Bong Kim**, Suwon-si (KR); **Ji Won Ha**, Suwon-si (KR); **Jun Hyuk Yim**, Seoul (KR)
(73) Assignees: **Hyundai Motor Company**, Seoul (KR); **Kia Motors Corporation**, Seoul (KR)
(**) Term: **15 Years**
(21) Appl. No.: **35/505,765**
(22) Filed: **Mar. 27, 2018**
(80) **Hague Agreement Data**
Int. Filing Date: **Mar. 27, 2018**
Int. Reg. No.: **DM/100993**
Int. Reg. Date: **Mar. 27, 2018**
Int. Reg. Pub. Date: **Sep. 28, 2018**

(30) **Foreign Application Priority Data**
Sep. 29, 2017 (KR) 30-2017-0046254
(51) **LOC (12) Cl.** **26-06**
(52) **U.S. Cl.**
USPC **D26/28**
(58) **Field of Classification Search**
USPC D26/28
CPC F21S 48/00; F21S 48/10; F21S 48/115;
F21S 48/225; F21S 48/1233; F21S 48/1266; F21S 48/1388; F21S 48/2266;
F21V 21/04; B60Q 1/30; B60Q 1/2607;
B60Q 1/2696; B62J 6/00; B62J 6/04
See application file for complete search history.

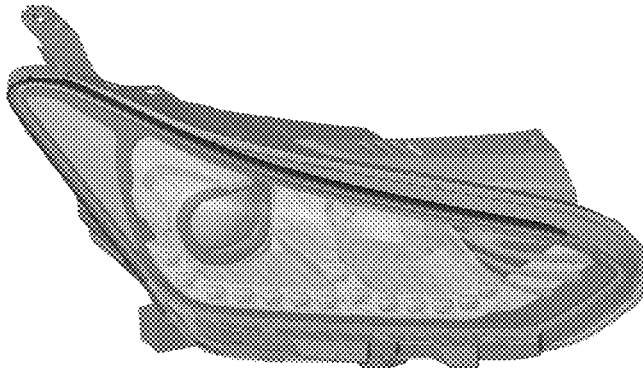
(56) **References Cited**
U.S. PATENT DOCUMENTS
D635,701 S * 4/2011 Chang D26/28
D714,977 S * 10/2014 Lee D26/28
D738,003 S * 9/2015 Park D26/28
D739,578 S * 9/2015 Han D26/28
D755,424 S * 5/2016 Kong D26/28
D755,425 S * 5/2016 Kong D26/28
D767,801 S * 9/2016 Han D26/28
D771,293 S * 11/2016 Ha D26/28
D785,829 S * 5/2017 Park D26/28
D785,833 S * 5/2017 Lee D26/28
D785,837 S * 5/2017 Lee D26/28
D788,956 S * 6/2017 Hong D26/28
D801,567 S * 10/2017 Oh D26/28
D816,875 S * 5/2018 Kong D26/28
D818,164 S * 5/2018 Ha D26/28
D829,947 S * 10/2018 Jung D26/28
D842,510 S * 3/2019 Kang D26/28
D843,034 S * 3/2019 Kim D26/28
D846,777 S * 4/2019 Hwang D26/28
D846,778 S * 4/2019 Hwang D26/28

* cited by examiner
Primary Examiner — Natasha Vujcic
(74) *Attorney, Agent, or Firm* — Mintz Levin Cohn Ferris Glovsky and Popeo, P.C.; Kongsik Kim

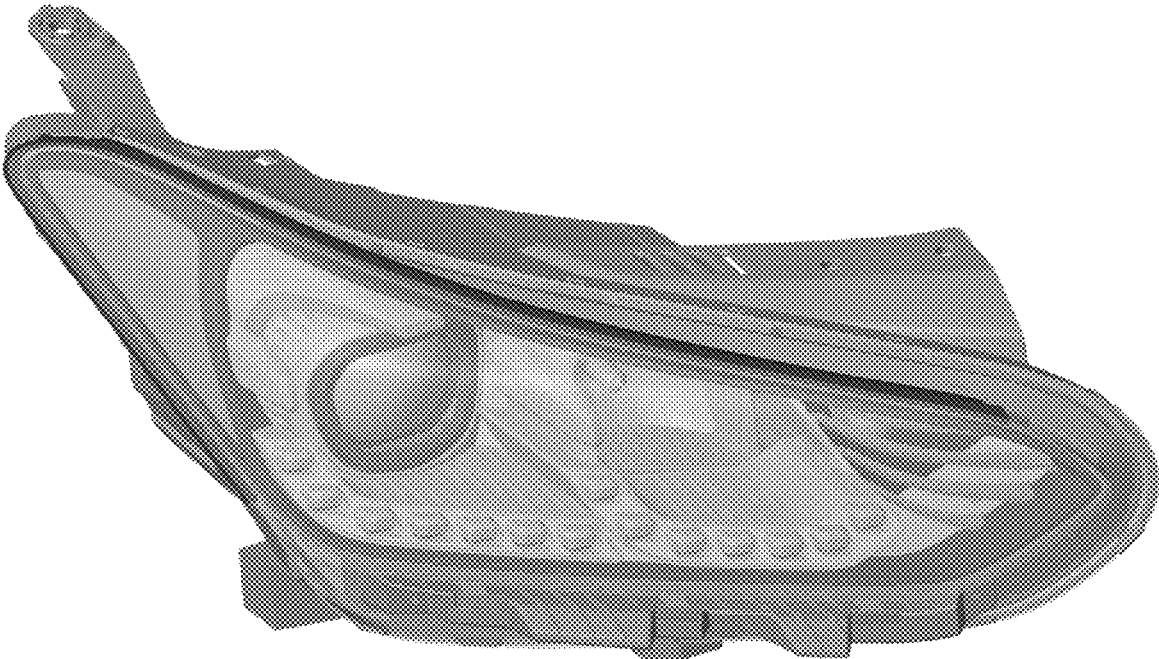
(57) **CLAIM**
The ornamental design for a headlamp for an automobile, as shown and described.

DESCRIPTION
1. Headlamp for an automobile
1.1 : Perspective
1.2 : Front
1.3 : Back
1.4 : Left
1.5 : Right
1.6 : Top
1.7 : Bottom

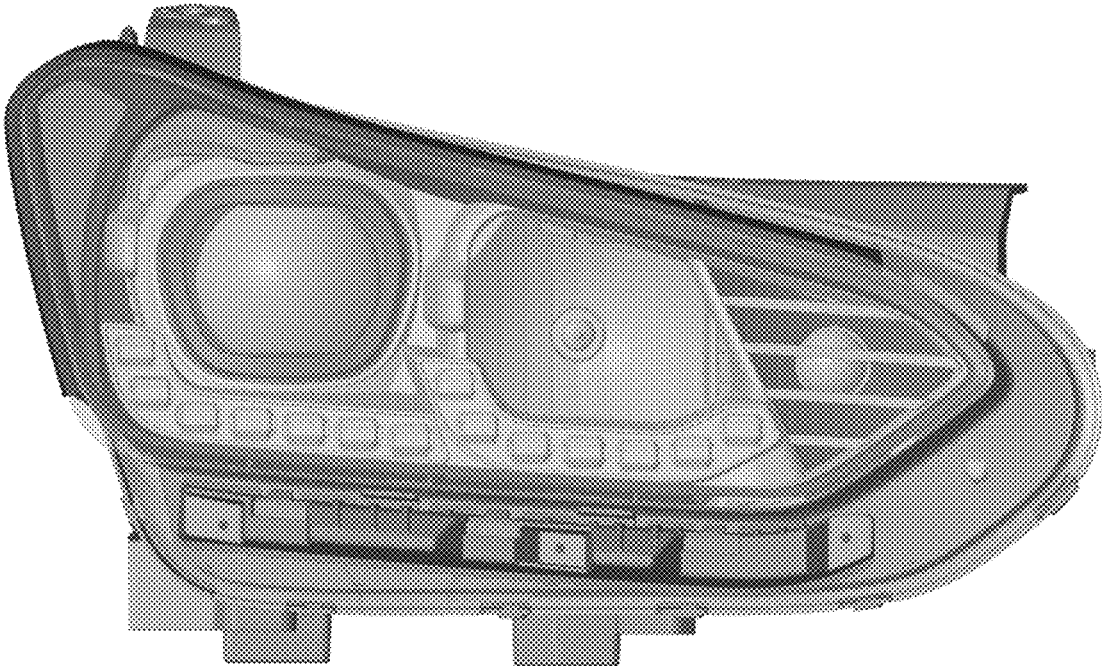
1 Claim, 7 Drawing Sheets



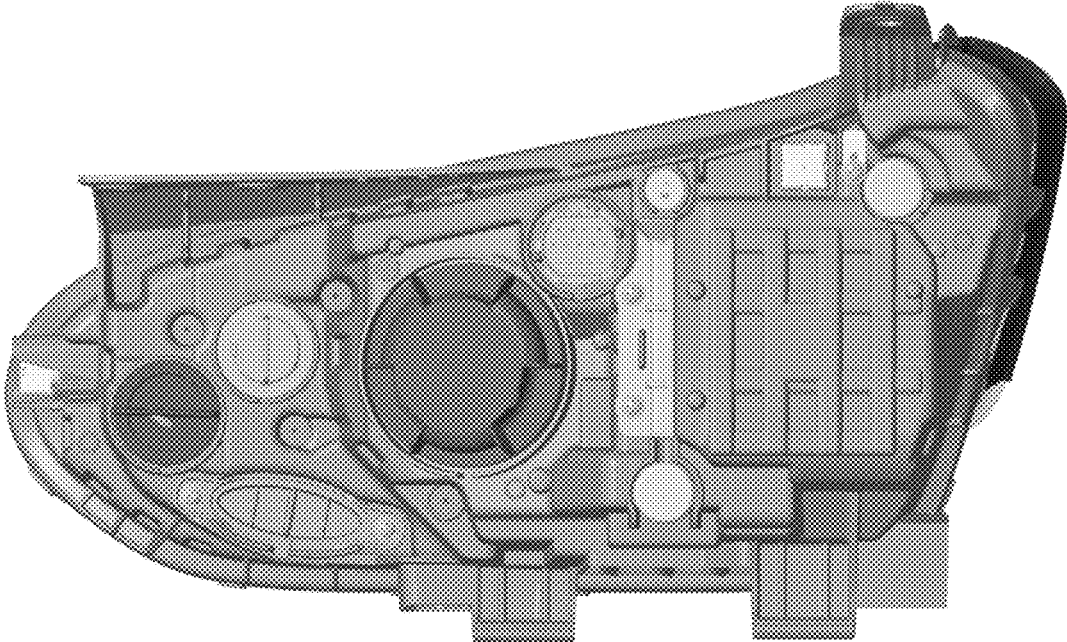
1.1



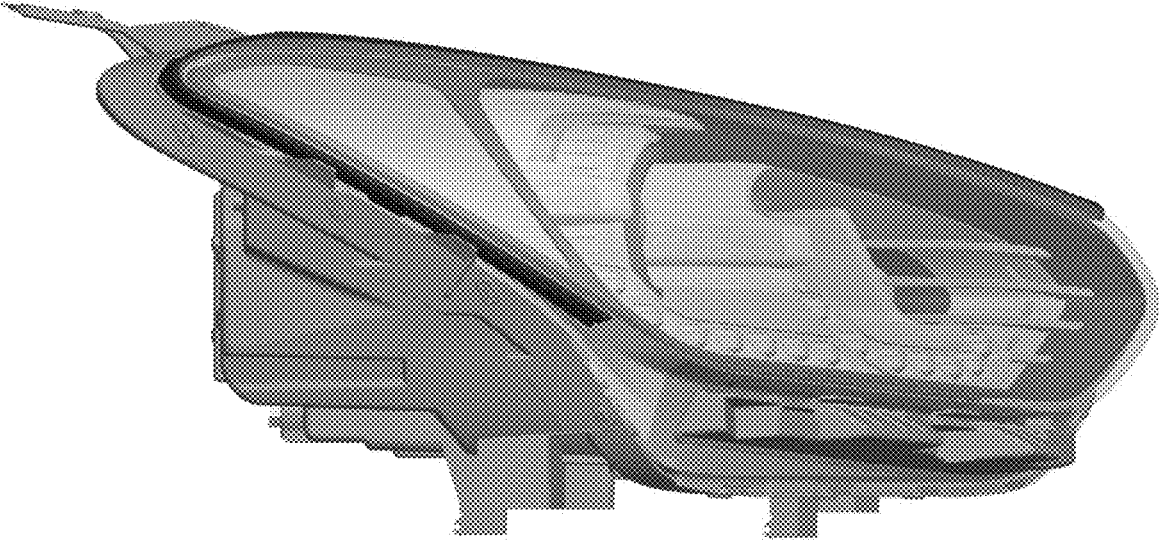
1.2



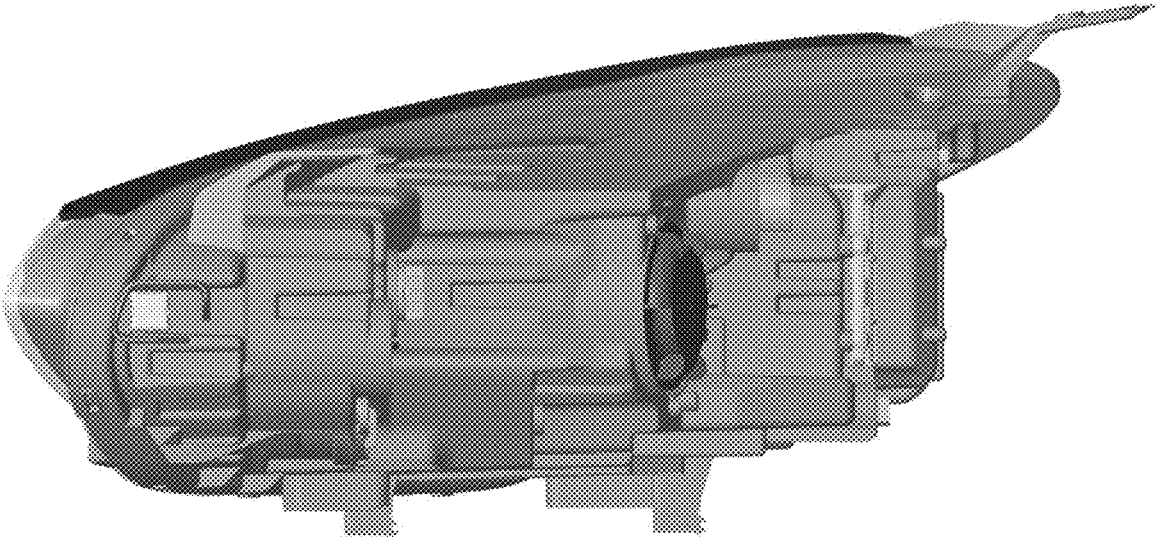
1.3



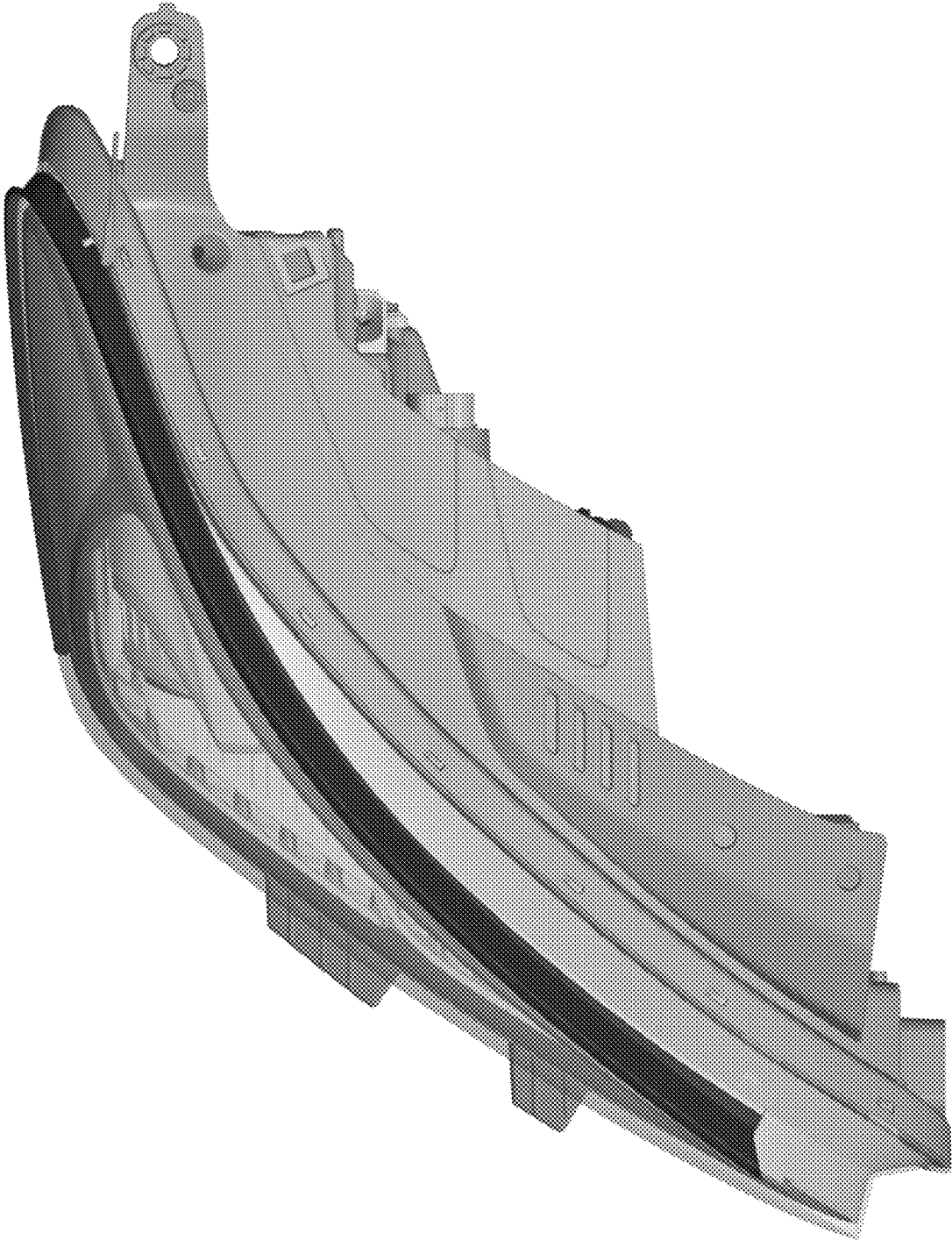
1.4



1.5



1.6



1.7

