



US00D766877S

(12) **United States Design Patent**
Haase

(10) **Patent No.:** **US D766,877 S**

(45) **Date of Patent:** **** Sep. 20, 2016**

- (54) **AUDIO SPEAKER WITH LIGHT DISPLAY**
- (71) Applicant: **Andreas Haase**, Park City, UT (US)
- (72) Inventor: **Andreas Haase**, Park City, UT (US)
- (**) Term: **15 Years**
- (21) Appl. No.: **29/538,593**
- (22) Filed: **Sep. 4, 2015**
- (51) **LOC (10) Cl.** **14-01**
- (52) **U.S. Cl.**
USPC **D14/215**; D14/172; D14/203.6
- (58) **Field of Classification Search**
USPC D14/204, 218, 172, 210–216, 209.1,
D14/496, 497, 137, 168, 181, 185, 188, 299,
D14/203.1–203.8, 221; 181/143, 147, 148,
181/150, 153, 157, 198, 199, 166, 144;
381/300–303, 306, 332, 333, 336, 345,
381/361–364, 370, 386–388; 455/344–351;
84/609–614, 634–638; 434/307 A,
434/307 R, 309, 318; 352/1, 6–10
CPC H04R 1/02; H04R 1/023; H04R 1/026;
H04R 1/30; H04R 3/00; H04R 9/06; H04R
11/02; H04R 19/02
See application file for complete search history.

5,133,428 A *	7/1992	Perrson	B60R 11/0217	181/153
D516,082 S *	2/2006	Lewis	D14/203.6	
D531,159 S *	10/2006	Park	D14/203.3	
D533,537 S *	12/2006	Reardon	D14/172	
D560,209 S *	1/2008	Kim	D14/215	
D587,238 S *	2/2009	Xie	D14/172	
D636,760 S *	4/2011	Cheng	D14/216	
8,175,304 B1 *	5/2012	North	H04R 5/02	381/17
9,265,370 B2 *	2/2016	Kellow, Jr.	A47G 19/065	
D756,955 S *	5/2016	Wagner	D14/203.6	
D758,347 S *	6/2016	Hinokio	D14/215	

* cited by examiner

Primary Examiner — Prabhakar Deshmukh
(74) *Attorney, Agent, or Firm* — J. Todd Rushton

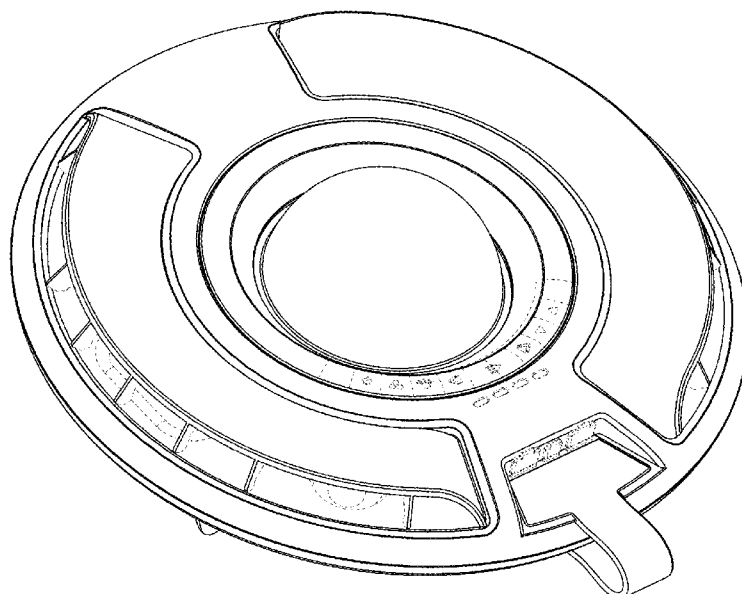
(57) **CLAIM**
The ornamental design for an audio speaker with light display, as shown and described.

DESCRIPTION

FIG. 1 is a perspective view of an audio speaker with light display showing my new design;
FIG. 2 is a top plan view thereof;
FIG. 3 is a front elevational view thereof;
FIG. 4 is a rear elevational view thereof;
FIG. 5 is a left side elevational view thereof;
FIG. 6 is a right side elevational view thereof; and,
FIG. 7 is a bottom plan view thereof.
The broken lines illustrate environment and forms no part of the claimed design.

1 Claim, 7 Drawing Sheets

- (56) **References Cited**
U.S. PATENT DOCUMENTS
3,023,830 A * 3/1962 Hammes F21V 33/0056
181/141
4,441,577 A * 4/1984 Kurihara H04R 1/323
181/141



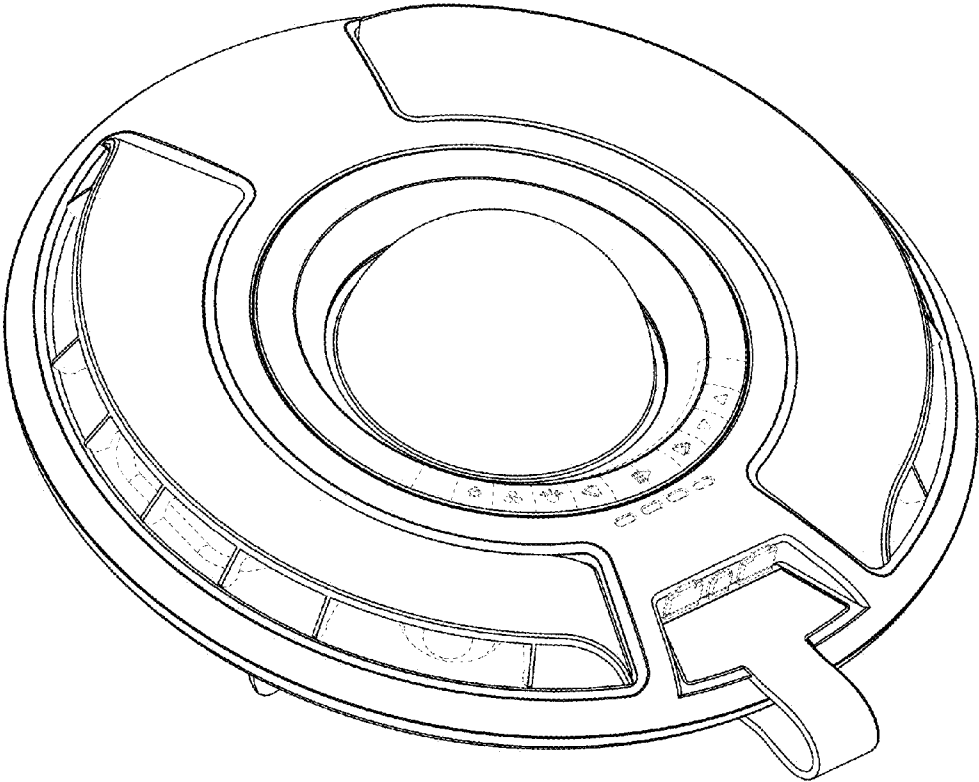


Fig. 1

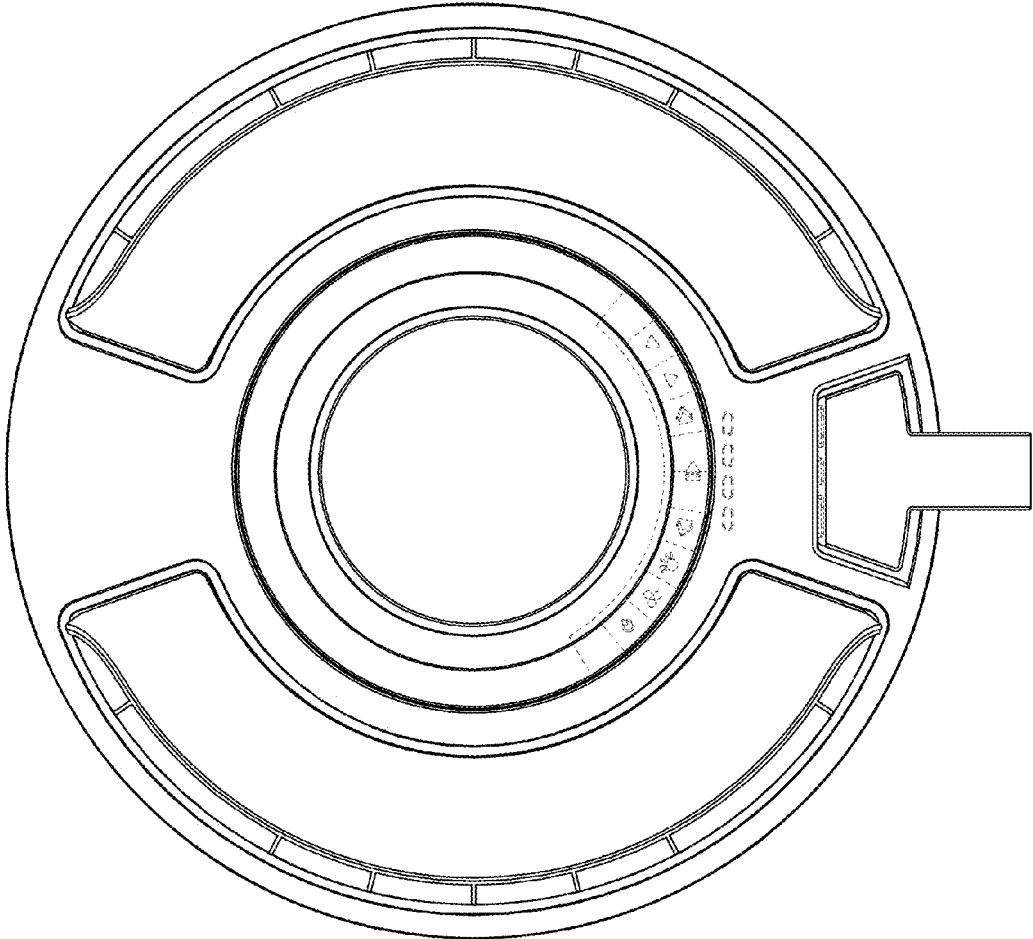


Fig. 2

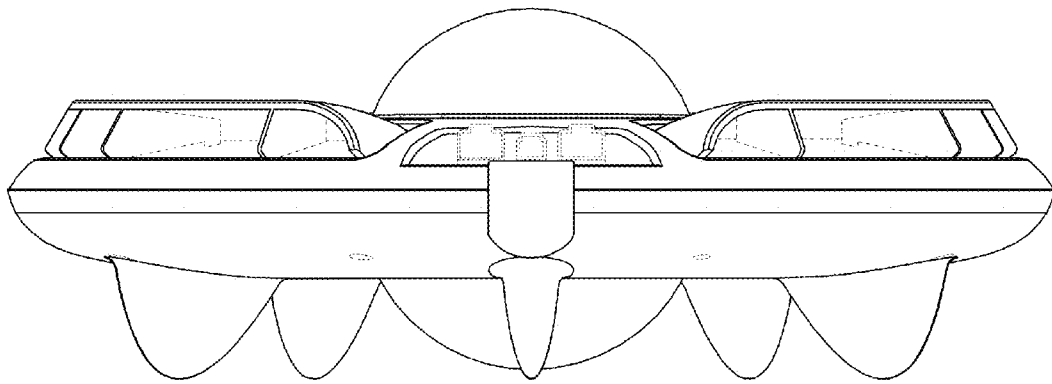


Fig. 3

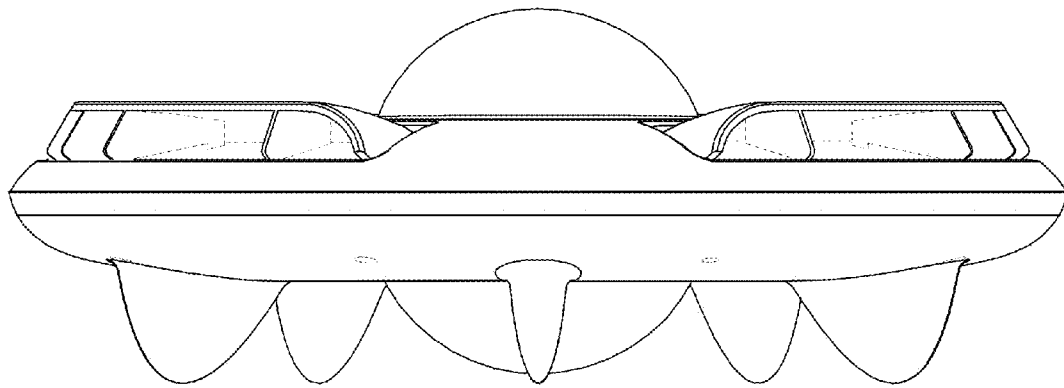


Fig. 4

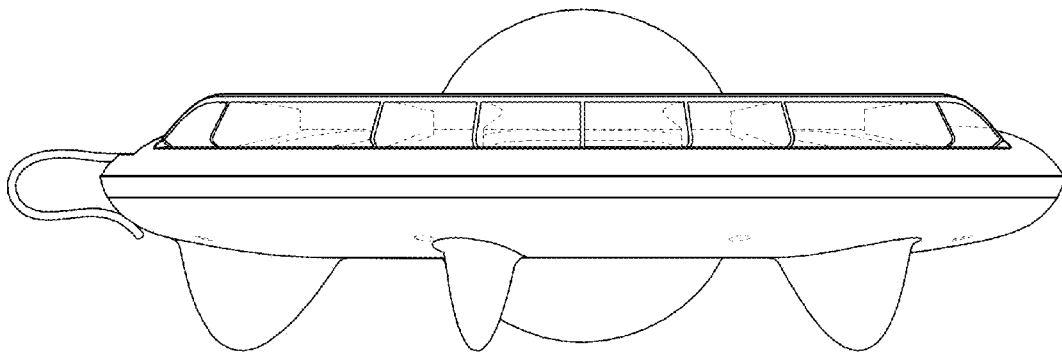


Fig. 5

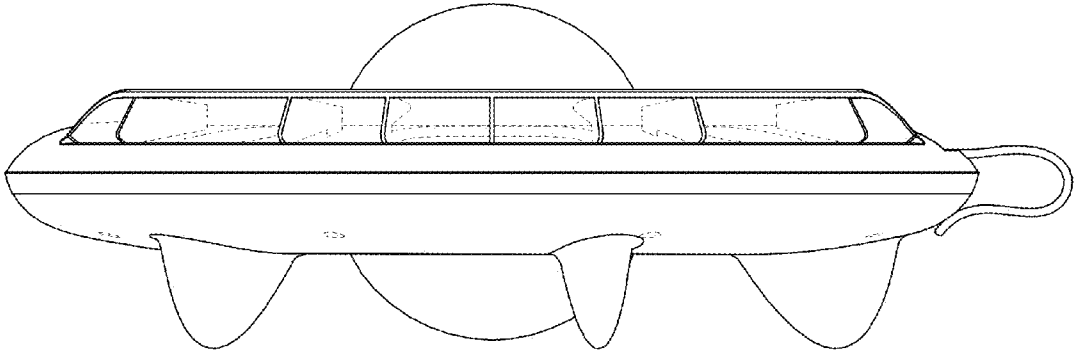


Fig. 6

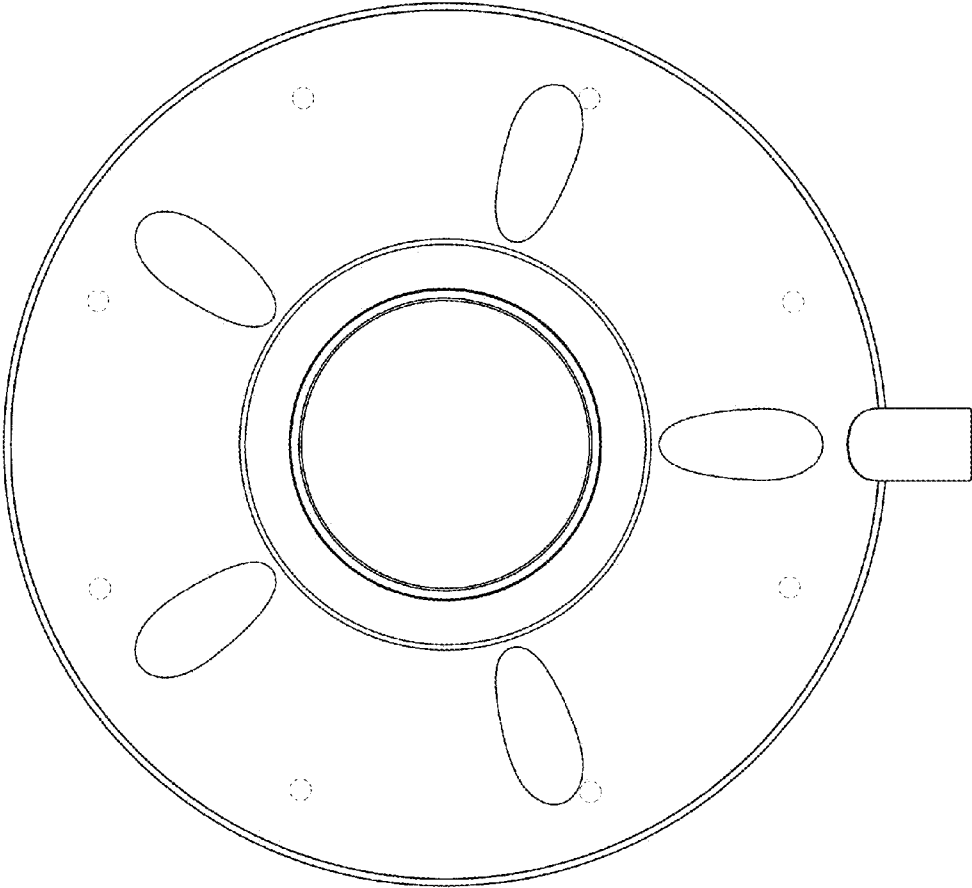


Fig. 7