



US00D998460S

(12) **United States Design Patent**
Skyrme et al.

(10) **Patent No.:** **US D998,460 S**

(45) **Date of Patent:** **** Sep. 12, 2023**

(54) **LID WITH TAMPER EVIDENT PULL TAB**

(71) Applicant: **Par-Pak Europe Limited**, Milton Keynes (GB)

(72) Inventors: **Erica Skyrme**, Tain (GB); **Joseph Prettejohn**, Street (GB)

(73) Assignee: **Par-Pak Europe Limited**, Milton Keynes (GB)

(**) Term: **15 Years**

(21) Appl. No.: **29/794,777**

(22) Filed: **Jun. 15, 2021**

(30) **Foreign Application Priority Data**

Dec. 15, 2020 (EM) 008322903-0002

(51) **LOC (14) Cl.** **09-07**

(52) **U.S. Cl.**
USPC **D9/438**

(58) **Field of Classification Search**
USPC D3/201, 203.1–203.3, 203.6–203.8, 318, D3/326; D7/391, 392, 392.1, 703; D9/414–418, 432, 434–436, 425, 440, D9/443, 447, 455, 456, 499, 438
CPC B65D 25/32; B65D 43/0218; B65D 43/0256; B65D 43/161; B65D 2543/00342; B65D 2543/00518; B65D 2543/00537; B65D 2543/00555; B65D 2543/00842; B65D 2543/0099
See application file for complete search history.

(56) **References Cited**

U.S. PATENT DOCUMENTS

D465,382 S * 11/2002 Wolf D7/392.1
D468,154 S * 1/2003 Klock D7/392.1
D551,496 S * 9/2007 Ablo D7/392.1

D562,624 S * 2/2008 Kortleven D7/392.1
D565,889 S * 4/2008 Laib D7/392.1
D648,171 S * 11/2011 Rusnak D7/391
D667,302 S * 9/2012 Jones D9/456
D682,689 S * 5/2013 Kalberer D9/423
D686,450 S * 7/2013 Yessin D7/392.1
D698,199 S * 1/2014 Yessin D7/392.1
D708,060 S * 7/2014 Neiner D9/438
D708,516 S * 7/2014 Neiner D9/438
D746,678 S * 1/2016 Blackmore D9/438
D759,427 S * 6/2016 Wiggins D7/391
D882,399 S * 4/2020 Holka D9/438
D896,076 S * 9/2020 Larsson D9/438
D902,712 S * 11/2020 Kleiner D9/438

(Continued)

OTHER PUBLICATIONS

Polar Pak. Smart-Tab® 8 oz. Tamper Evident Deli Container Tub. No date specified. <https://polarpak.ca/products/find-a-product/containers/tamper-visible/details/QVNRNTA4> (Year: 0).*

(Continued)

Primary Examiner — Darcey E Gottschalk
(74) *Attorney, Agent, or Firm* — Nelson Mullins Riley & Scarborough LLP

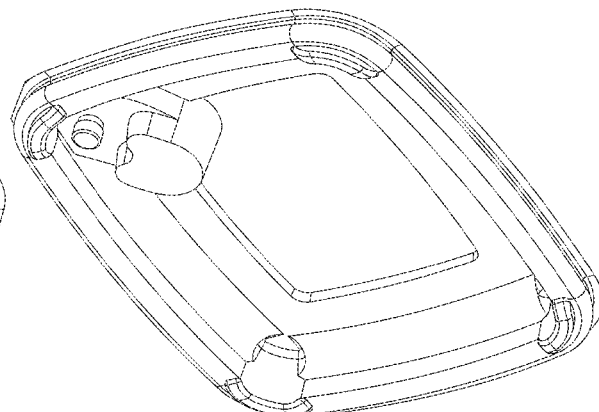
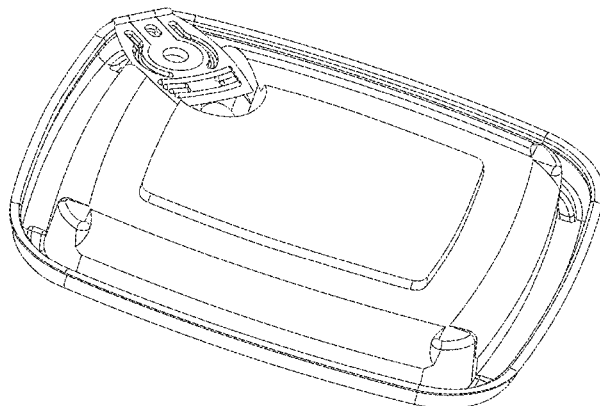
(57) **CLAIM**

The ornamental design for a lid with tamper evident pull tab, as shown and described.

DESCRIPTION

FIG. 1 is a top perspective view of a lid with tamper evident pull tab showing our new design;
FIG. 2 is a side view from the northeast corner thereof;
FIG. 3 is a side view from the southeast corner thereof;
FIG. 4 is a bottom perspective view thereof;
FIG. 5 is a bottom view thereof;
FIG. 6 is a top view thereof; and,
FIG. 7 is a side view from the southwest corner thereof.

1 Claim, 7 Drawing Sheets



(56)

References Cited

U.S. PATENT DOCUMENTS

D968,211 S * 11/2022 Fu D9/425

OTHER PUBLICATIONS

Polar Pak. Tamper Evident Containers Brochure. No date specified.
https://polarpak.ca/assets/cat/W_BI_0803_0520_Tamper%20Evident%20Brochure_WEB.pdf (Year: 0).*

WNA. Biz. Novolex. Smart-Tab by Waddington North America.
Mar. 2022. https://www.wna.biz/assets/brochures/W_FL_1290_0322%20Smart-Tab%20Containers_EN.pdf (Year: 2022).*

* cited by examiner

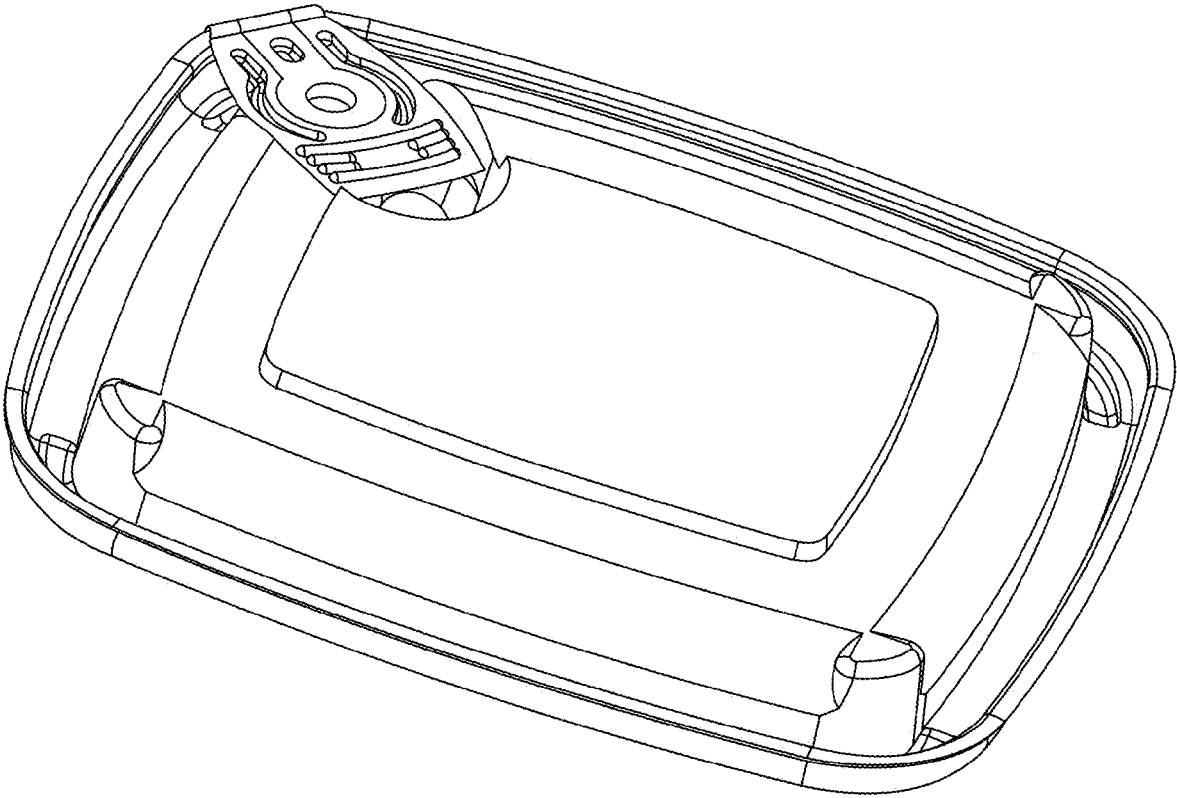


FIG. 1

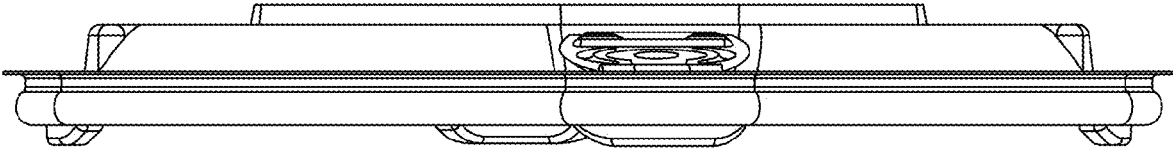


FIG. 2

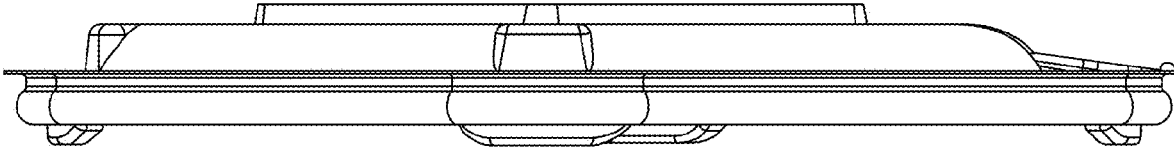


FIG. 3

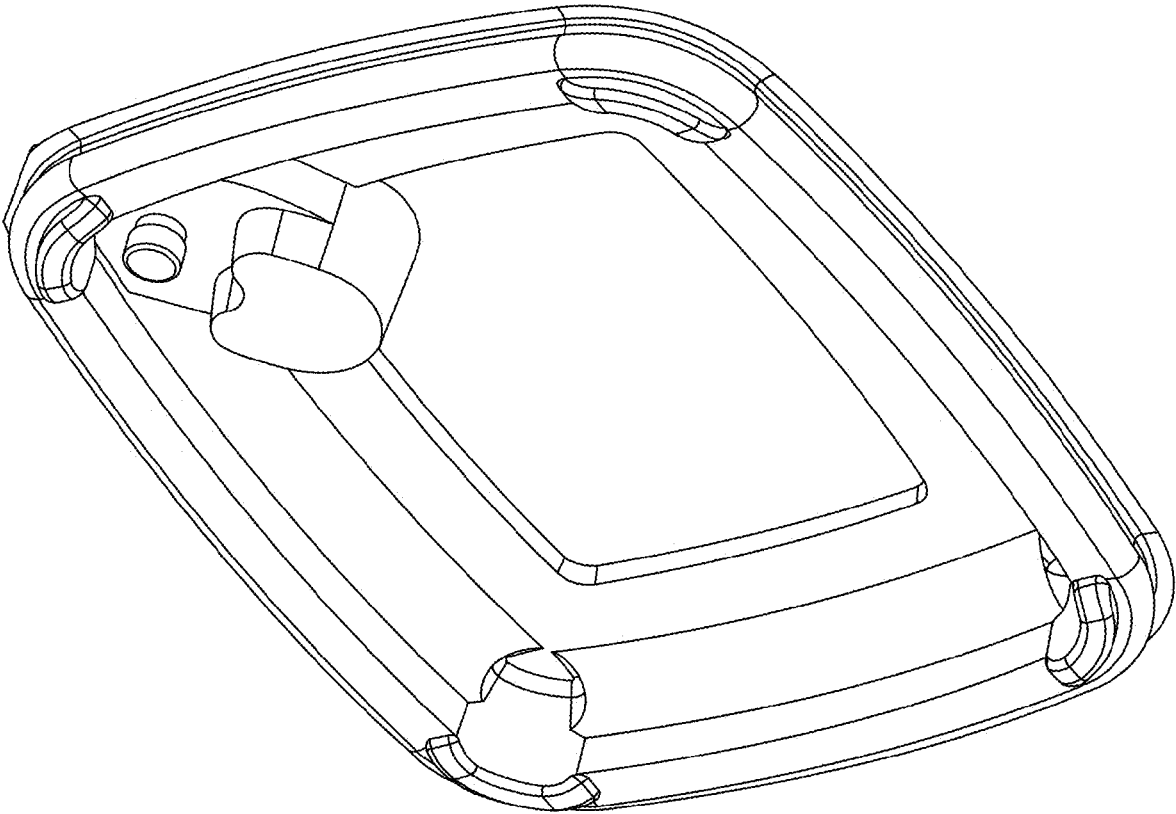


FIG. 4

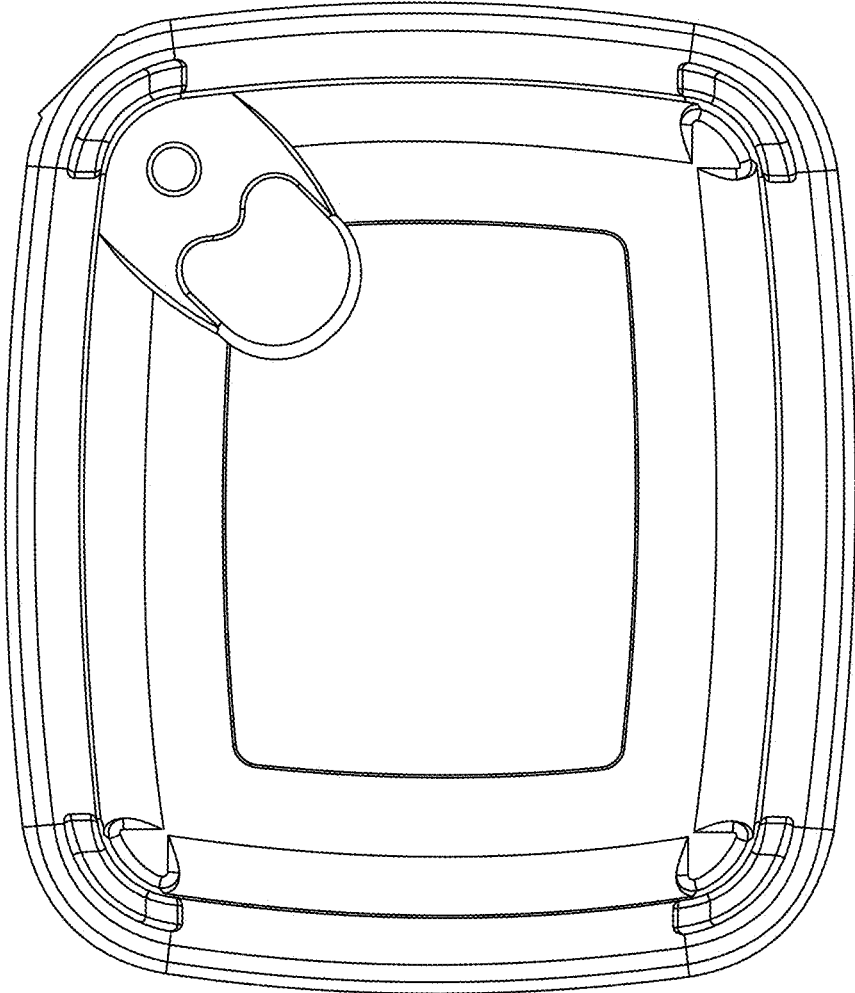


FIG. 5

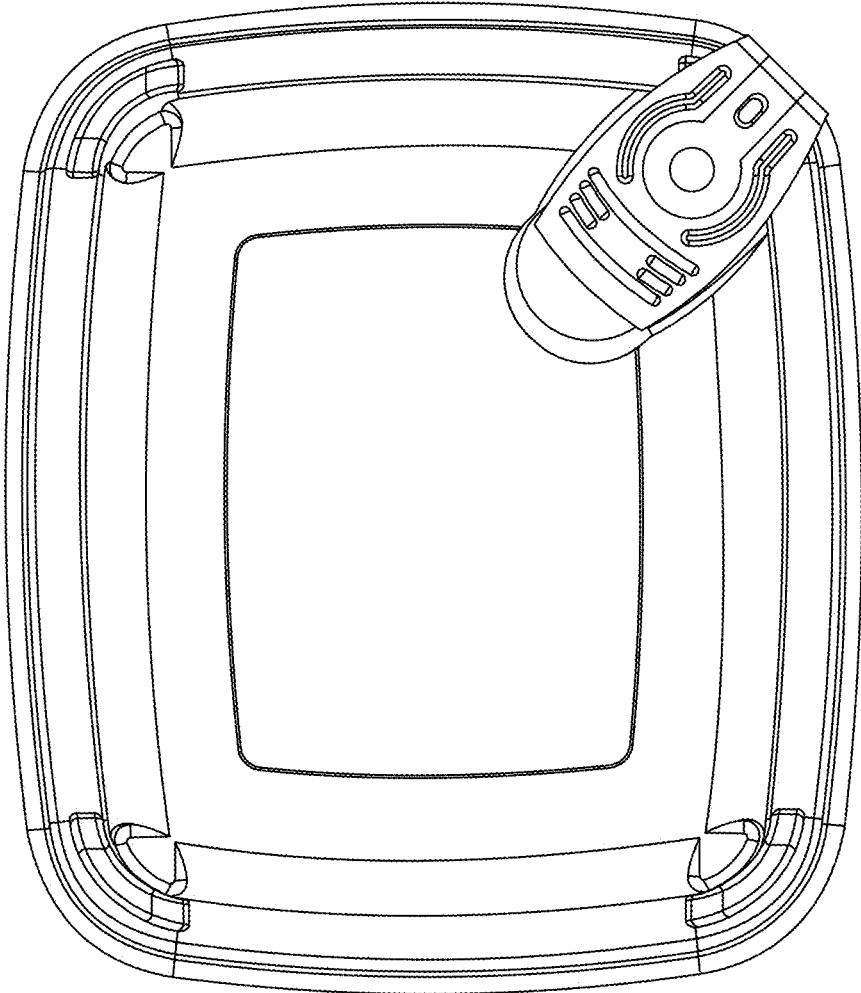


FIG. 6

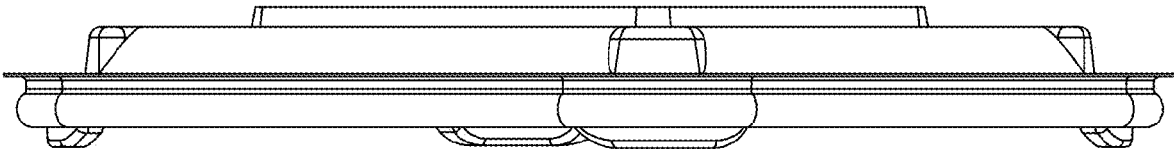


FIG. 7