



US00D918878S

(12) **United States Design Patent**
Liu

(10) **Patent No.:** **US D918,878 S**

(45) **Date of Patent:** **** May 11, 2021**

- (54) **COLOR LED FILM ANTENNA**
- (71) Applicant: **David Liu**, San Dimas, CA (US)
- (72) Inventor: **David Liu**, San Dimas, CA (US)
- (**) Term: **15 Years**

D873,802 S * 1/2020 Cran D14/218
 2005/0040994 A1* 2/2005 Mazoki H01Q 9/16
 343/809
 2007/0120742 A1 5/2007 Soler Castany et al.

- (21) Appl. No.: **29/713,615**
- (22) Filed: **Nov. 18, 2019**
- (51) **LOC (13) Cl.** **14-03**
- (52) **U.S. Cl.**
USPC **D14/230**
- (58) **Field of Classification Search**
USPC D14/138, 230–238, 299, 358; D12/42,
D12/43
CPC H01Q 7/00; H01Q 13/10; H01Q 9/285;
H01Q 19/30; H01Q 19/12; H01Q 1/38;
H01Q 1/36; H01Q 2/0027; H01Q 1/48;
H01Q 9/045; H01Q 1/243; H04B 1/0475;
H04B 1/034; H05K 11/00
See application file for complete search history.

OTHER PUBLICATIONS

Alphatronics, Probum DVB-T Pro antenna—Antennas—Produkte, Accessed on Nov. 2, 2019, 4 pages, Alphatronics.
 Best Buy, Insignia Amplified Thin Film HDTV Antenna Black/White NS-ANT500HA-Best Buy, Accessed on Nov. 2, 2019, 7 pages.

* cited by examiner

Primary Examiner — John Windmuller
 (74) *Attorney, Agent, or Firm* — David L. Hoffman

(57) **CLAIM**

I claim the ornamental design for a color LED film antenna, as shown and described.

(56) **References Cited**

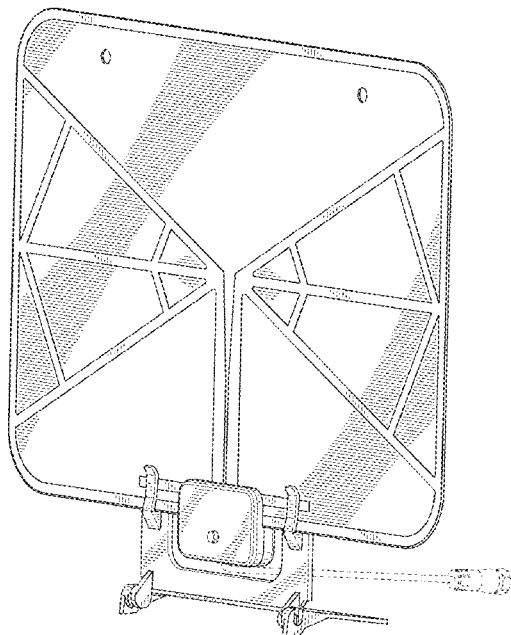
U.S. PATENT DOCUMENTS

- 2,666,138 A * 1/1954 Ehrbar H01Q 5/48
343/727
- D612,370 S * 3/2010 Suleiman D14/234
- D612,371 S * 3/2010 Suleiman D14/234
- D623,175 S * 9/2010 Suleiman D14/230
- D656,131 S * 3/2012 Suleiman D14/230
- D665,385 S * 8/2012 Conrad D14/230
- D754,641 S * 4/2016 Suleiman D14/230
- 9,761,947 B2 9/2017 Yang
- D806,689 S * 1/2018 Deng D14/234
- D829,695 S * 10/2018 Wu D14/230
- D855,592 S * 8/2019 Wu D14/230
- D857,675 S * 8/2019 Wu D14/230

DESCRIPTION

FIG. 1 is a perspective view of a color LED film antenna; FIG. 2 is a right side elevational view thereof, a left side view being a mirror image thereof; FIG. 3 is a front elevational view thereof; FIG. 4 is a rear elevational view thereof; FIG. 5 is a top plan view thereof; and, FIG. 6 is a bottom plan view thereof. The dashed lines in the drawings are for purposes of showing environment and do not form part of the claimed invention.

1 Claim, 4 Drawing Sheets



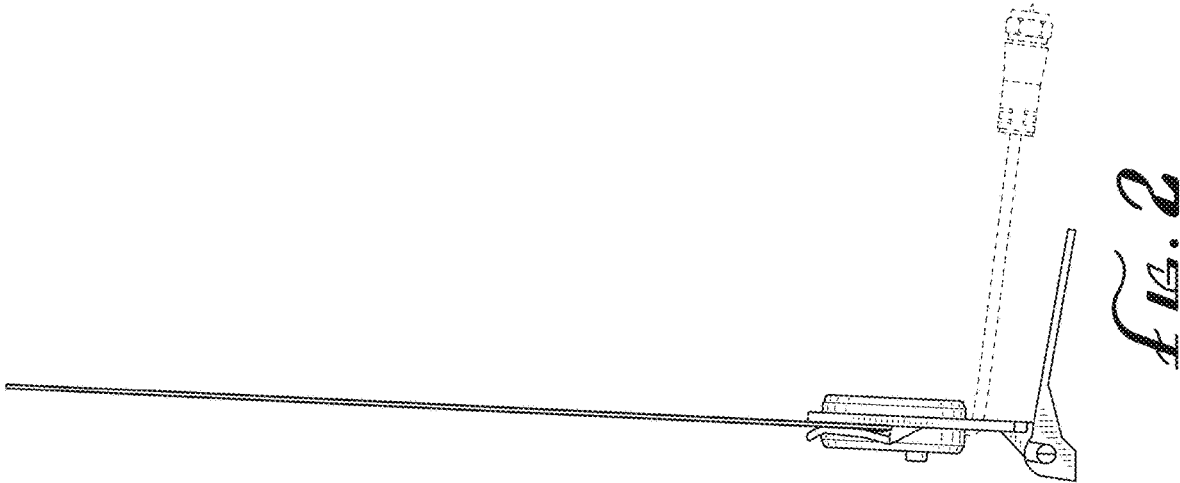


FIG. 2

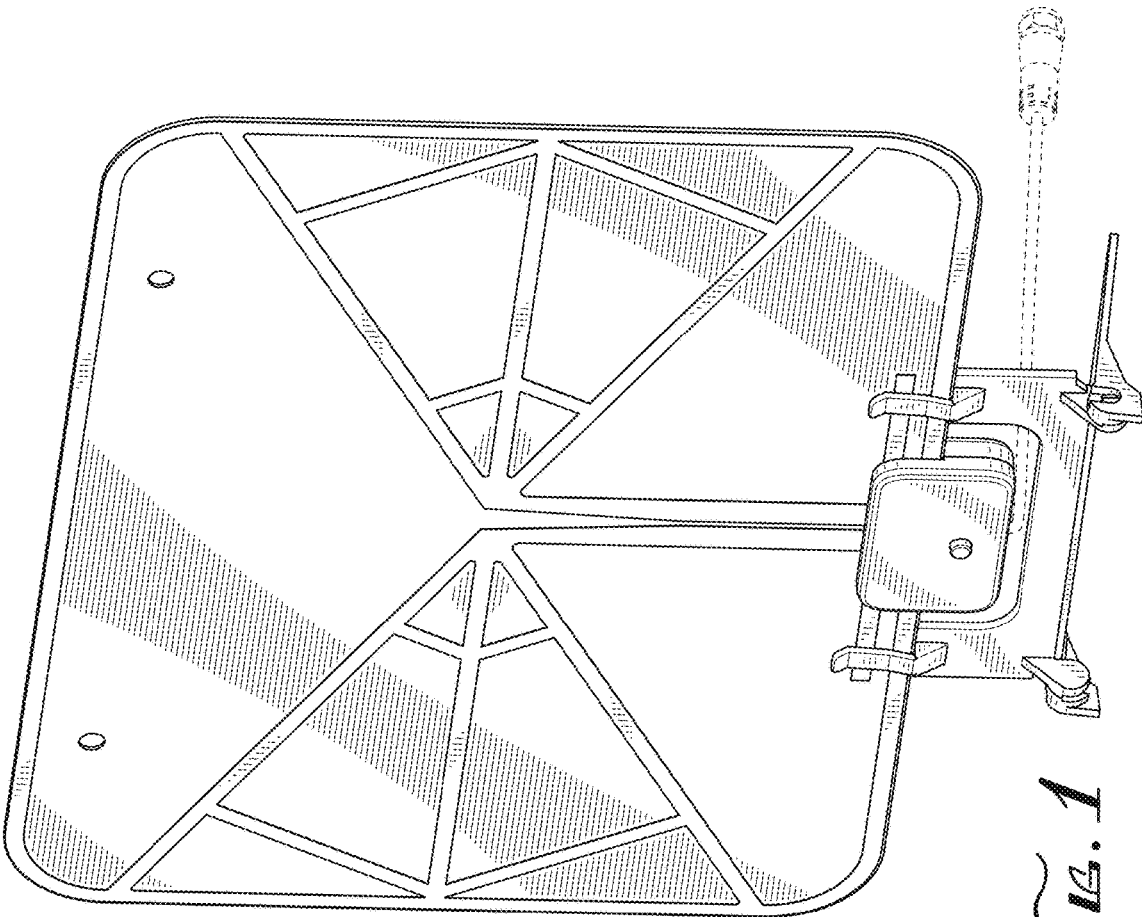


FIG. 1

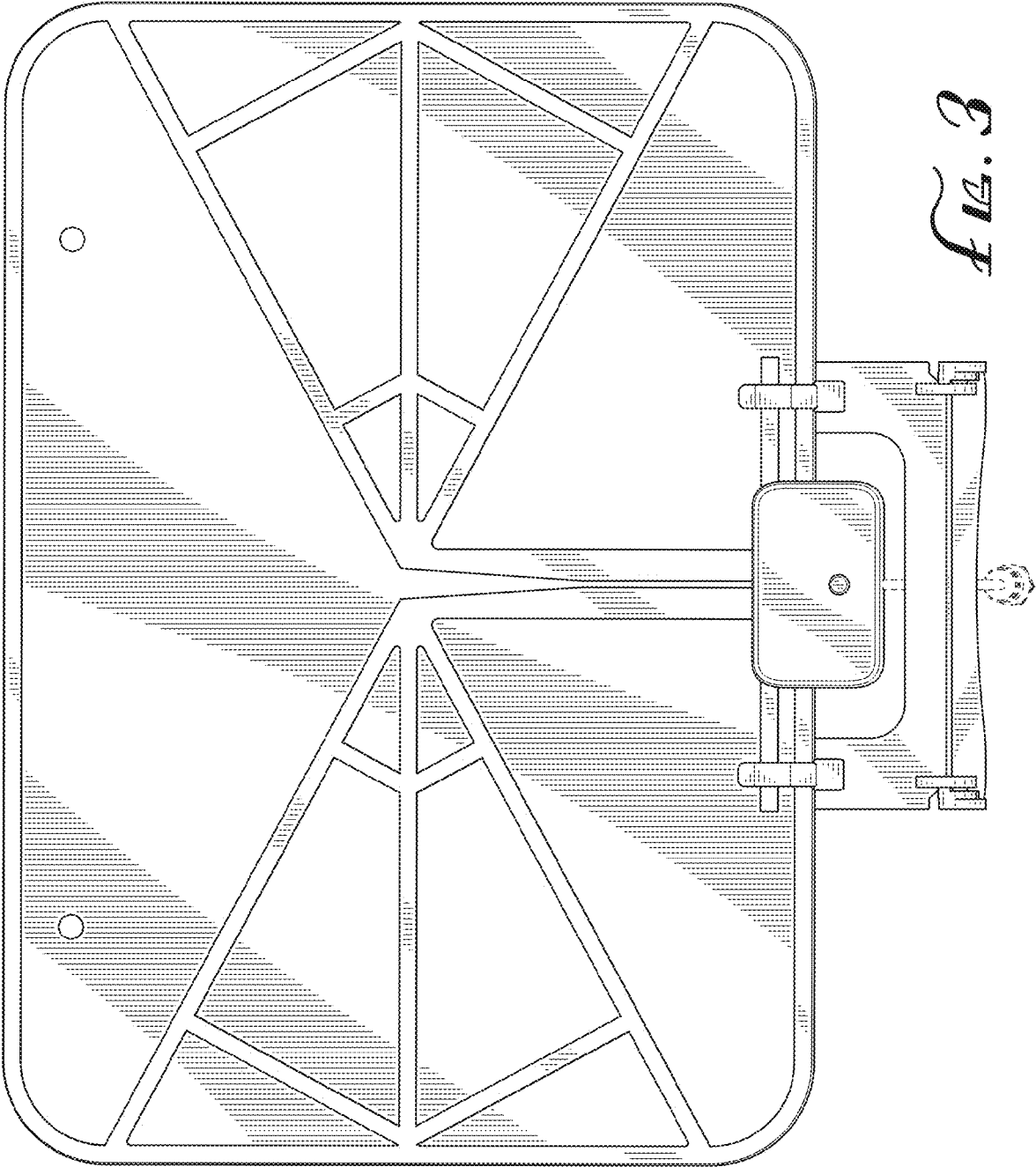


FIG. 3

