

(19) World Intellectual Property
Organization
International Bureau



(43) International Publication Date
2 September 2004 (02.09.2004)

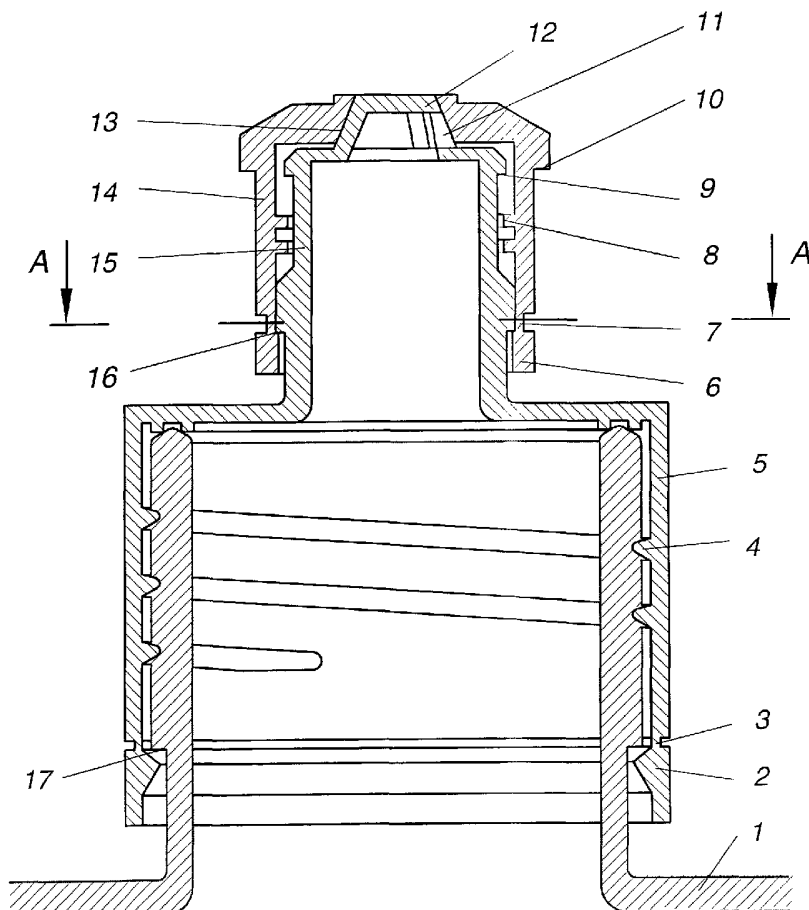
PCT

(10) International Publication Number
WO 2004/074120 A3

- (51) International Patent Classification⁷: B65D 41/34, 47/24
- (21) International Application Number: PCT/YU2004/000003
- (22) International Filing Date: 23 February 2004 (23.02.2004)
- (25) Filing Language: English
- (26) Publication Language: English
- (30) Priority Data:
P-017/03 24 February 2003 (24.02.2003) YU
- (71) Applicant and
(72) Inventor: OBRADOVIC, Milorad [YU/YU]; Miloja Zalkica 65, YU-37000 Krusevac (YU).
- (74) Agent: SAVEZ PRONALAZACA I AUTORA TEHNICKIH; Unapredjenja Rasinskog Okruga, Dom Sindikata II/2, YU-37000 Kruseva (YU).
- (81) Designated States (unless otherwise indicated, for every kind of national protection available): AE, AG, AL, AM, AT, AU, AZ, BA, BB, BG, BR, BW, BY, BZ, CA, CH, CN, CO, CR, CU, CZ, DE, DK, DM, DZ, EC, EE, EG, ES, FI, GB, GD, GE, GH, GM, HR, HU, ID, IL, IN, IS, JP, KE, KG, KP, KR, KZ, LC, LK, LR, LS, LT, LU, LV, MA, MD, MG, MK, MN, MW, MX, MZ, NA, NI, NO, NZ, OM, PG, PH, PL, PT, RO, RU, SC, SD, SE, SG, SK, SL, SY, TJ, TM, TN, TR, TT, TZ, UA, UG, US, UZ, VC, VN, YU, ZA, ZM, ZW.
- (84) Designated States (unless otherwise indicated, for every kind of regional protection available): ARIPO (BW, GH, GM, KE, LS, MW, MZ, SD, SL, SZ, TZ, UG, ZM, ZW), Eurasian (AM, AZ, BY, KG, KZ, MD, RU, TJ, TM), European (AT, BE, BG, CH, CY, CZ, DE, DK, EE, ES, FI, FR, GB, GR, HU, IE, IT, LU, MC, NL, PT, RO, SE, SI, SK, TR), OAPI (BF, BJ, CF, CG, CI, CM, GA, GN, GQ, GW, ML, MR, NE, SN, TD, TG).

[Continued on next page]

(54) Title: TWO-PART SAFETY CLOSURE



(57) Abstract: The two-part safety closure provides protection against unauthorized opening of a container for liquids, hermetical sealing between two openings and against loss of liquids during the transport thereof. The two-part safety closure is intended for closing the containers (1) for liquid materials that are being used by frequent pouring out small quantities thereof from said containers requiring frequent opening and closing. Present invention provides for simple and quick opening and closing of the cover (14) and a very reliable protection against unauthorized opening and against an accidental opening during the transportation of such containers providing at the same time sufficient protection during the transportation. The first opening of the cover (14) causes the rupture of the weakened part (7) between the safety ring (6) and the cover (14), and first unscrewing of the closure body (5) causes the rupture of the weakened part (3) signaling the unauthorized opening of the container (1).

WO 2004/074120 A3



Declaration under Rule 4.17:

— *of inventorship (Rule 4.17(iv)) for US only*

Published:

— *with international search report*
— *before the expiration of the time limit for amending the claims and to be republished in the event of receipt of amendments*

For two-letter codes and other abbreviations, refer to the "Guidance Notes on Codes and Abbreviations" appearing at the beginning of each regular issue of the PCT Gazette.

(88) Date of publication of the international search report:

18 November 2004

INTERNATIONAL SEARCH REPORT

International Application No

CT/YU2004/000003

A. CLASSIFICATION OF SUBJECT MATTER
 IPC 7 B65D41/34 B65D47/24

According to International Patent Classification (IPC) or to both national classification and IPC

B. FIELDS SEARCHED

Minimum documentation searched (classification system followed by classification symbols)
 IPC 7 B65D

Documentation searched other than minimum documentation to the extent that such documents are included in the fields searched

Electronic data base consulted during the international search (name of data base and, where practical, search terms used)

EPO-Internal

C. DOCUMENTS CONSIDERED TO BE RELEVANT

Category °	Citation of document, with indication, where appropriate, of the relevant passages	Relevant to claim No.
X	EP 0 709 301 A (MEYER UWE F ; SANDER DIETER (CA)) 1 May 1996 (1996-05-01) column 1, line 49 - column 3, line 45; figures 1-7	1
X	-----	
X	US 6 431 404 B1 (LONG JR CHARLES J) 13 August 2002 (2002-08-13) column 9, line 56 - column 11, line 63; figures 7-14	1
X	-----	
X	GB 2 264 110 A (NORTHERN ENG & PLASTICS) 18 August 1993 (1993-08-18) page 2, line 29 - page 5, line 3; figures 1-6	1

	-/--	

Further documents are listed in the continuation of box C.

Patent family members are listed in annex.

° Special categories of cited documents :

- *A* document defining the general state of the art which is not considered to be of particular relevance
- *E* earlier document but published on or after the international filing date
- *L* document which may throw doubts on priority claim(s) or which is cited to establish the publication date of another citation or other special reason (as specified)
- *O* document referring to an oral disclosure, use, exhibition or other means
- *P* document published prior to the international filing date but later than the priority date claimed

- *T* later document published after the international filing date or priority date and not in conflict with the application but cited to understand the principle or theory underlying the invention
- *X* document of particular relevance; the claimed invention cannot be considered novel or cannot be considered to involve an inventive step when the document is taken alone
- *Y* document of particular relevance; the claimed invention cannot be considered to involve an inventive step when the document is combined with one or more other such documents, such combination being obvious to a person skilled in the art.
- *Z* document member of the same patent family

Date of the actual completion of the international search

Date of mailing of the international search report

4 August 2004

30/09/2004

Name and mailing address of the ISA
 European Patent Office, P.B. 5818 Patentlaan 2
 NL - 2280 HV Rijswijk
 Tel. (+31-70) 340-2040, Tx. 31 651 epo nl,
 Fax: (+31-70) 340-3016

Authorized officer

Grondin, D

INTERNATIONAL SEARCH REPORT

International Application No

CT/YU2004/000003

C.(Continuation) DOCUMENTS CONSIDERED TO BE RELEVANT		
Category °	Citation of document, with indication, where appropriate, of the relevant passages	Relevant to claim No.
X	US 5 655 685 A (CARR JOSEPH J ET AL) 12 August 1997 (1997-08-12) column 3, line 21 - column 4, line 53; figures 1-3 -----	1
Y	US 5 465 876 A (CRISCI ROBERT E) 14 November 1995 (1995-11-14) column 1, line 48 - column 3, line 25; figures 1-5 -----	1
Y	US 6 095 375 A (ADAMS BRIAN M ET AL) 1 August 2000 (2000-08-01) column 2, line 51 - column 4, line 21; figures 2-5 -----	1

INTERNATIONAL SEARCH REPORT

Information on patent family members

International Application No

CT/YU2004/000003

Patent document cited in search report	Publication date	Patent family member(s)	Publication date	
EP 0709301	A	01-05-1996	US 5588562 A	31-12-1996
			AU 3934495 A	23-05-1996
			BR 9509544 A	23-12-1997
			CN 1175234 A	04-03-1998
			EP 0709301 A2	01-05-1996
			WO 9613442 A1	09-05-1996
			RU 2133701 C1	27-07-1999
US 6431404	B1	13-08-2002	US 6357628 B1	19-03-2002
			US 5862953 A	26-01-1999
			CA 2303127 A1	18-03-1999
			WO 9912815 A2	18-03-1999
			AU 2667797 A	07-11-1997
			BR 9710530 A	17-08-1999
			CN 1221386 A , B	30-06-1999
			EP 0904238 A2	31-03-1999
			WO 9738912 A2	23-10-1997
GB 2264110	A	18-08-1993	CA 2037728 C	02-05-1995
US 5655685	A	12-08-1997	CA 2177904 A1	01-12-1996
US 5465876	A	14-11-1995	NONE	
US 6095375	A	01-08-2000	NONE	