

(12) **United States Design Patent**
Friebe et al.

(10) **Patent No.:** **US D582,790 S**
(45) **Date of Patent:** **** Dec. 16, 2008**

(54) **FOIL PACKAGE**

(75) Inventors: **Joachim Friebe**, Heimertingen (DE);
Andreas Michalsky, Memmingen (DE);
Maurice Habram, Kempten (DE);
Agata Surdziel, Kempten (DE); **Peter Ganz**, Untrasried (DE)

(73) Assignee: **Huhtamaki Ronsberg**,
Zweigniederlassung der Huhtamaki
Deutschland GmbH & Co. KG (DE)

(**) Term: **14 Years**

(21) Appl. No.: **29/231,547**

(22) Filed: **Jun. 7, 2005**

(30) **Foreign Application Priority Data**

Apr. 19, 2005 (EP) 000330485

(51) **LOC (8) Cl.** **09-05**

(52) **U.S. Cl.** **D9/707**

(58) **Field of Classification Search** D9/702-703,
D9/711-713, 709, 442; 206/484; D24/207;
222/92; 220/495.03; 383/107-108, 120,
383/123, 104, 119, 92; 426/106; 428/35.2

See application file for complete search history.

(56) **References Cited**

U.S. PATENT DOCUMENTS

1,720,497	A	7/1929	Vierengel	
2,771,010	A *	11/1956	Piazzo D9/703
3,380,646	A	4/1968	Doyen et al.	
D236,438	S	8/1975	McKenzie	
4,233,888	A	11/1980	LaFleur	
D319,780	S	9/1991	Laaki	
D354,906	S *	1/1995	Lane et al. D9/707

D360,824	S	8/1995	Ossendryver	
D363,670	S *	10/1995	Sullivan D9/720
D365,981	S *	1/1996	Sullivan D9/720
D409,481	S *	5/1999	Smith et al. D9/697
D418,747	S *	1/2000	Sagel D9/707
D452,144	S *	12/2001	Tedeschi et al. D9/707
6,409,386	B1	6/2002	Trani et al.	
D470,755	S *	2/2003	Espinel et al. D9/707
D470,757	S *	2/2003	Espinel et al. D9/707
D476,225	S *	6/2003	De La Garza D9/707
D489,606	S *	5/2004	Lofman D9/707
D499,636	S	12/2004	Bennie et al.	
D510,277	S *	10/2005	Bennie et al. D9/707
D541,171	S	4/2007	Delmotte et al.	
D550,565	S *	9/2007	Lee D9/643

* cited by examiner

Primary Examiner—Caron D. Veynar

Assistant Examiner—Abraham Bahta

(74) *Attorney, Agent, or Firm*—Knobbe Martens Olson & Bear LLP

(57) **CLAIM**

The ornamental design for a foil package, as shown and described.

DESCRIPTION

FIG. 1 is a front side perspective view of a foil package showing our new design;

FIG. 2 is a right side perspective view thereof;

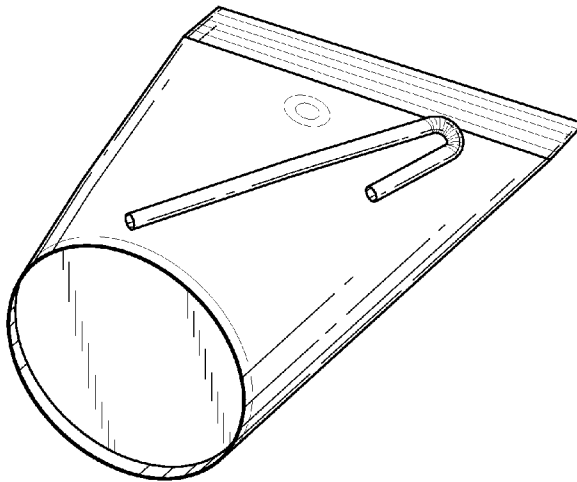
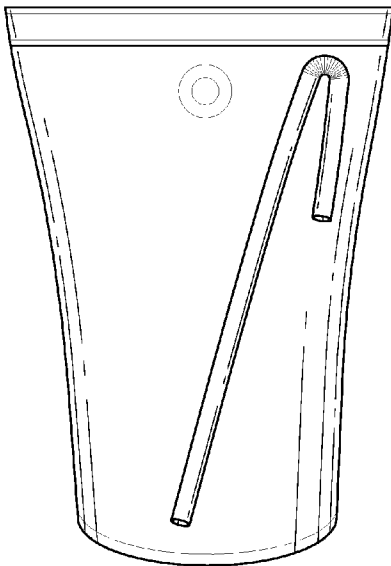
FIG. 3 is a bottom plan view thereof;

FIG. 4 is a front view thereof;

FIG. 5 is a perspective view thereof; and,

FIG. 6 is a top plan view thereof.

1 Claim, 3 Drawing Sheets



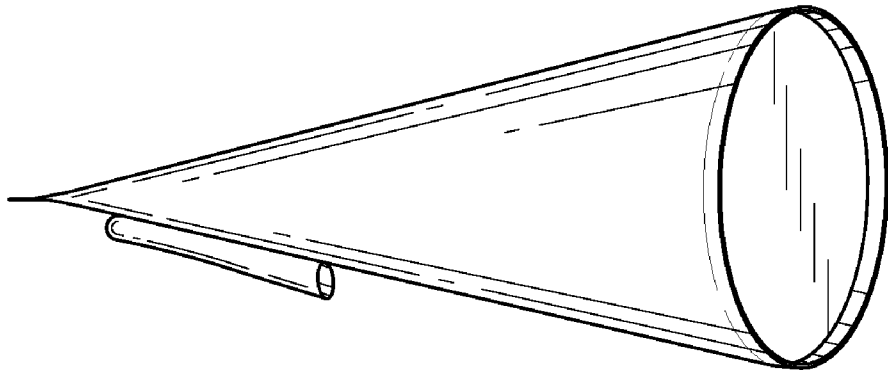


FIG. 2

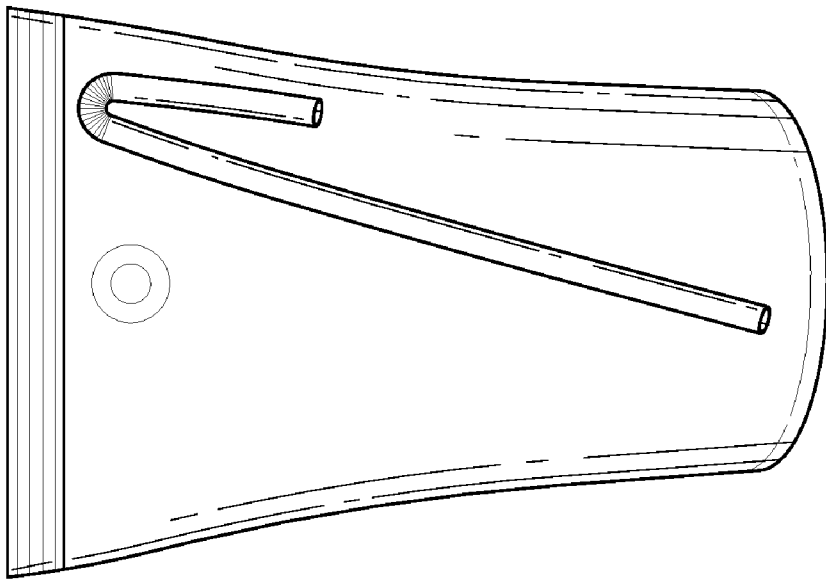


FIG. 1

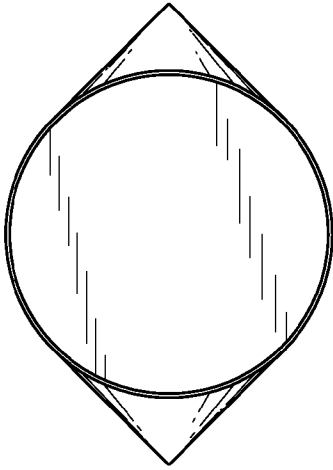


FIG. 3

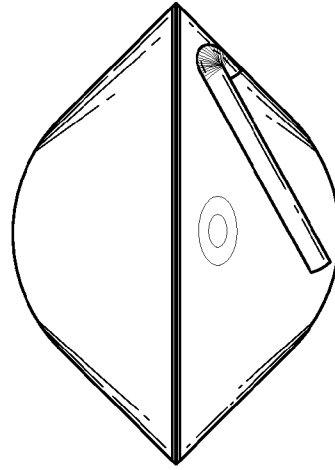


FIG. 6

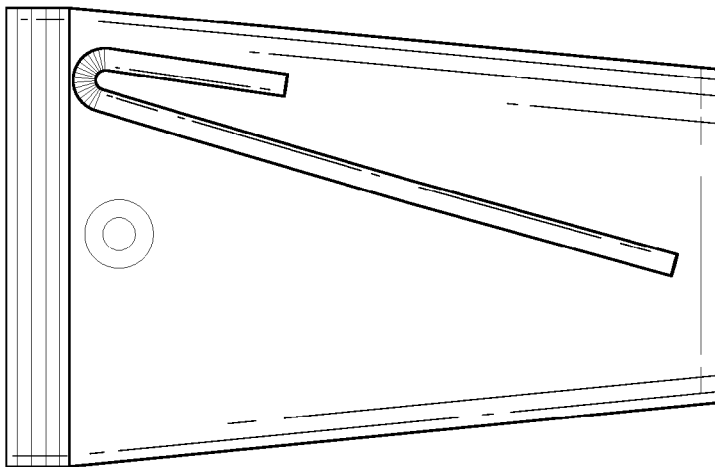


FIG. 4

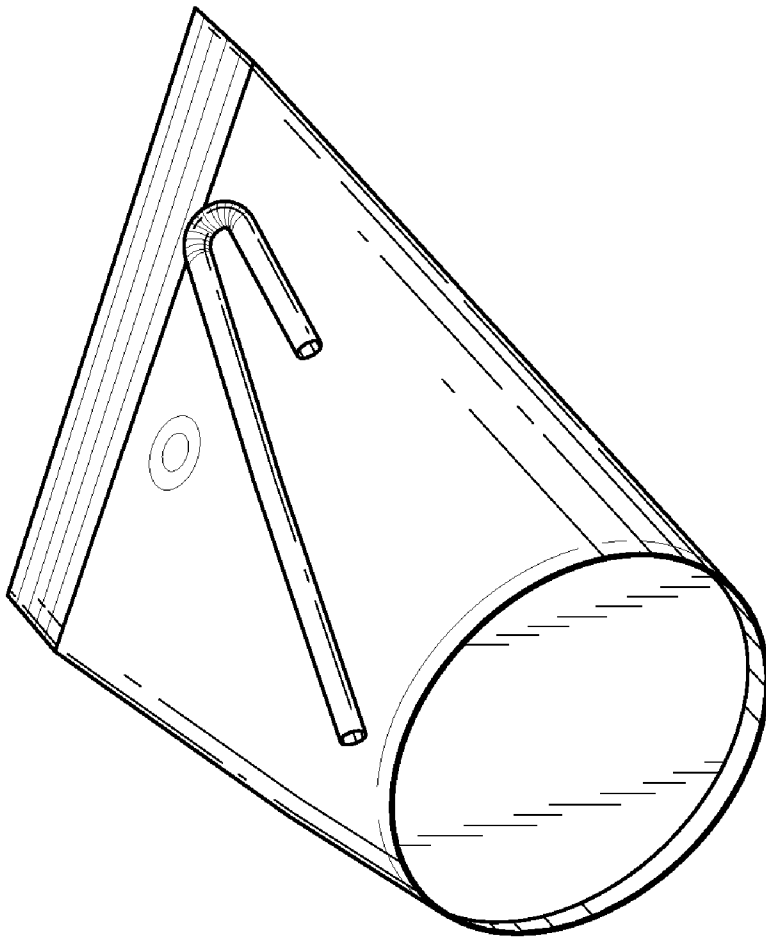


FIG. 5