



US00D947388S

(12) **United States Design Patent**  
**Katoh et al.**

(10) **Patent No.:** **US D947,388 S**  
(45) **Date of Patent:** **\*\* Mar. 29, 2022**

- (54) **MOTION ASSISTING DEVICE**
- (71) Applicant: **JTEKT CORPORATION**, Osaka (JP)
- (72) Inventors: **Yoshinobu Katoh**, Toyohashi (JP);  
**Hiromichi Ohta**, Kariya (JP);  
**Kazuyoshi Ohtsubo**, Chiryu (JP); **Yuki Kobayashi**, Nara (JP); **Shintaro Yoshida**, Shiki (JP); **Katsuhide Kikuchi**, Saitama (JP); **Mikio Shinohara**, Hino (JP)
- (73) Assignee: **JTEKT CORPORATION**, Osaka (JP)
- (\*\*) Term: **15 Years**
- (21) Appl. No.: **29/693,987**
- (22) Filed: **Jun. 6, 2019**
- (30) **Foreign Application Priority Data**

Dec. 10, 2018	(JP)	.....	2018-026833
Dec. 10, 2018	(JP)	.....	2018-026834
Dec. 10, 2018	(JP)	.....	2018-026835
Dec. 10, 2018	(JP)	.....	2018-026836
Dec. 10, 2018	(JP)	.....	2018-026837
Dec. 10, 2018	(JP)	.....	2018-026838
Dec. 10, 2018	(JP)	.....	2018-026839
Dec. 10, 2018	(JP)	.....	2018-026840

- (51) **LOC (13) Cl.** ..... **24-02**
- (52) **U.S. Cl.**  
USPC ..... **D24/190; D29/100**
- (58) **Field of Classification Search**  
USPC ..... D29/100, 101.1, 101.2, 101.3, 101.4,  
D29/101.5; D24/190  
CPC ... A63B 21/00; A63B 21/065; A63B 21/4007;  
A63B 21/4009; A63B 23/0405; A61H  
(Continued)

- (56) **References Cited**  
U.S. PATENT DOCUMENTS  
8,568,344 B2 \* 10/2013 Ferguson ..... A61H 1/0244  
602/16  
8,968,222 B2 \* 3/2015 Kazerooni ..... B25J 9/0006  
601/35

(Continued)

**OTHER PUBLICATIONS**

Jtekt Corporation | News releases (on-line), dated Dec. 12, 2018.  
Retrieved from Internet Nov. 24, 2020, URL: [https://www.jtekt.co.jp/e/news/181212\\_1.html](https://www.jtekt.co.jp/e/news/181212_1.html) (3 pages) (Year: 2018).\*

(Continued)

*Primary Examiner* — Kimberly Barnes  
(74) *Attorney, Agent, or Firm* — Oblon, McClelland, Maier & Neustadt, L.L.P.

(57) **CLAIM**

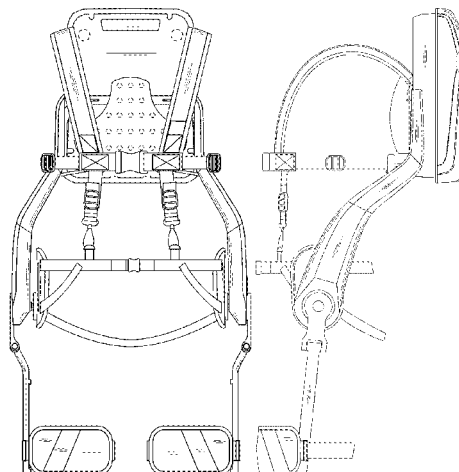
The ornamental design for a motion assisting device, as shown and described.

**DESCRIPTION**

FIG. 1 is a front elevational view of a motion assisting device showing our new design;  
FIG. 2 is a rear elevational view thereof;  
FIG. 3 is a top plan view thereof;  
FIG. 4 is a bottom plan view thereof;  
FIG. 5 is a right side elevational view thereof, the left side elevational view being a mirror image of the right side elevational view shown; and,  
FIG. 6 is another front elevational view thereof showing a use state.

The outline of the partial human body shown in broken lines shown in FIG. 6 is for the purpose of illustrating an environment of use of the motion assisting device and forms no part of the claimed design. The remaining broken lines that show portions of the motion assisting device also form no part of the claimed design.

**1 Claim, 6 Drawing Sheets**



(58) **Field of Classification Search**

CPC .... 3/00; A61H 2003/007; A61H 3/008; A61H  
1/00; A61H 1/0244

See application file for complete search history.

(56) **References Cited**

## U.S. PATENT DOCUMENTS

9,022,956 B2 \* 5/2015 Kazerooni ..... A61H 3/00  
601/5  
D781,430 S \* 3/2017 Konishi ..... D24/190  
9,604,369 B2 3/2017 Angold et al.  
D784,545 S \* 4/2017 Jangir ..... D24/190  
D784,547 S \* 4/2017 Kwon ..... D24/190  
9,687,409 B2 6/2017 Teng et al.  
9,731,162 B2 8/2017 Martin  
9,782,322 B2 \* 10/2017 Nagarajan ..... A63B 23/0405  
9,808,073 B1 \* 11/2017 Maxwell ..... A61H 3/008  
9,907,722 B2 \* 3/2018 Aguirre-Ollinger .....  
A61H 1/0244  
D831,276 S 10/2018 Pennington, Jr. et al.  
10,166,679 B2 \* 1/2019 Tanibayashi ..... A61H 1/0244  
10,288,384 B2 5/2019 Kinnings  
10,328,300 B2 6/2019 Ko  
10,426,688 B2 10/2019 Robertson et al.  
10,449,105 B2 \* 10/2019 Hollander ..... A61F 2/68  
10,610,439 B2 \* 4/2020 Ohta ..... A61H 1/0244  
10,624,809 B2 \* 4/2020 Tsai ..... A61H 1/0262  
D887,013 S 6/2020 Son et al.  
10,695,255 B2 \* 6/2020 Choi ..... A61H 1/0244  
D889,672 S 7/2020 Takama et al.  
10,709,632 B2 \* 7/2020 Endo ..... G01C 22/006  
10,710,237 B2 \* 7/2020 Kumeno ..... A61H 1/024  
D901,023 S \* 11/2020 Park ..... D24/190  
10,835,443 B2 11/2020 Tsai et al.  
D903,881 S \* 12/2020 Ohta ..... D24/190  
10,871,422 B2 12/2020 Nabeshima et al.  
2011/0183819 A1 7/2011 Pharoe  
2011/0264014 A1 \* 10/2011 Angold ..... B25J 9/0006  
601/35  
2012/0292361 A1 \* 11/2012 Thiruppathi ..... A45F 3/08  
224/576  
2015/0197008 A1 \* 7/2015 Yoon ..... B25J 9/0006  
700/250  
2016/0158593 A1 6/2016 Craig et al.  
2018/0071129 A1 \* 3/2018 Ozsecen ..... A61F 5/028  
2018/0325764 A1 \* 11/2018 Yagi ..... A61H 1/0244  
2018/0338880 A1 11/2018 Ohta et al.  
2019/0001493 A1 \* 1/2019 Hyun ..... B25J 9/1633  
2019/0091094 A1 \* 3/2019 Romo ..... A61H 3/00

2019/0192373 A1 6/2019 Vouga et al.  
2019/0254908 A1 \* 8/2019 Ortlieb ..... A61H 1/0244  
2019/0282429 A1 \* 9/2019 Son ..... A61H 1/0237  
2019/0314238 A1 \* 10/2019 Kobayashi ..... A61H 1/0244  
2019/0328553 A1 10/2019 Sankai  
2019/0344432 A1 11/2019 Grenier et al.  
2019/0358808 A1 \* 11/2019 Yoshimi ..... A61H 1/0237  
2020/0078253 A1 3/2020 Song et al.  
2020/0078254 A1 3/2020 Uematsu et al.  
2020/0179218 A1 \* 6/2020 Katoh ..... A61H 1/0244  
2020/0206062 A1 7/2020 Kim et al.  
2020/0237600 A1 7/2020 Arai et al.  
2020/0281803 A1 9/2020 Teng et al.  
2020/0289030 A1 \* 9/2020 Ikeuchi ..... A61B 5/1116  
2020/0289357 A1 \* 9/2020 Sato ..... A61H 1/00  
2020/0297571 A1 9/2020 Takahashi et al.  
2020/0337934 A1 \* 10/2020 Wang ..... B25J 9/14  
2020/0368094 A1 11/2020 Yoshimi et al.  
2020/0383865 A1 12/2020 Barnes et al.  
2020/0405566 A1 12/2020 Chan et al.  
2020/0406449 A1 12/2020 Bilodeau et al.  
2021/0000678 A1 1/2021 Yasuhara et al.  
2021/0030613 A1 2/2021 Kodama et al.  
2021/0052408 A1 2/2021 Takahashi  
2021/0052460 A1 2/2021 Soucy et al.  
2021/0069053 A1 3/2021 Terada et al.  
2021/0077335 A1 \* 3/2021 Yoshimi ..... A61H 1/0292  
2021/0077839 A1 \* 3/2021 Arai ..... B25J 9/0006  
2021/0078162 A1 \* 3/2021 Yoshimi ..... B25J 9/104  
2021/0078163 A1 \* 3/2021 Ohtsubo ..... B25J 9/0006  
2021/0128389 A1 \* 5/2021 Ohta ..... A61H 1/0292  
2021/0128390 A1 5/2021 Choi et al.  
2021/0137722 A1 \* 5/2021 Arai ..... A61F 5/0102  
2021/0291354 A1 \* 9/2021 Kobayashi ..... A61H 1/0244  
2021/0369534 A1 \* 12/2021 Kobayashi ..... A61H 1/0244

## OTHER PUBLICATIONS

U.S. Non-Final Office Action dated Jun. 18, 2021 in U.S. Appl. No. 29/772,524 (9 pages).

U.S. Notice of Allowance dated Oct. 7, 2021 in U.S. Appl. No. 29/772,524 (6 pages).

U.S. Ex Parte Quayle Action dated Jun. 18, 2021 in U.S. Appl. No. 29/772,529 (9 pages).

U.S. Non-Final Office Action dated Jun. 18, 2021 in U.S. Appl. No. 29/772,532 (8 pages).

U.S. Notice of Allowance dated Oct. 7, 2021 in U.S. Appl. No. 29/772,532 (6 pages).

\* cited by examiner

FIG. 1

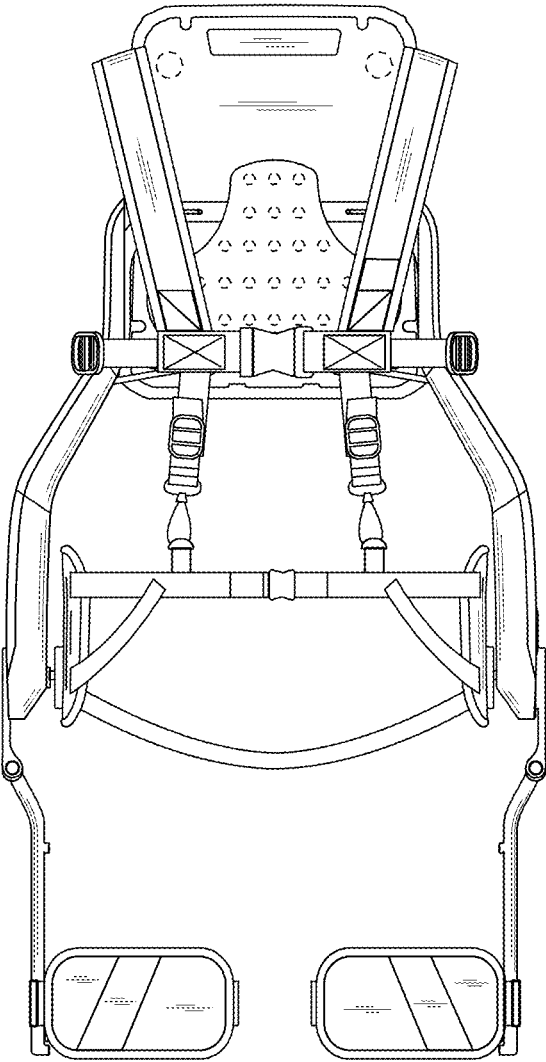


FIG. 2

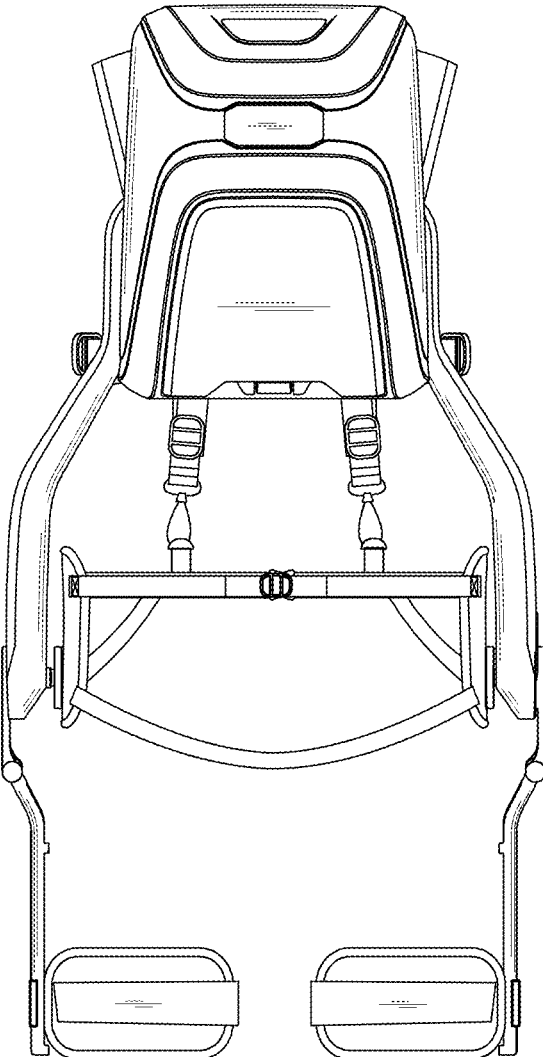


FIG. 3

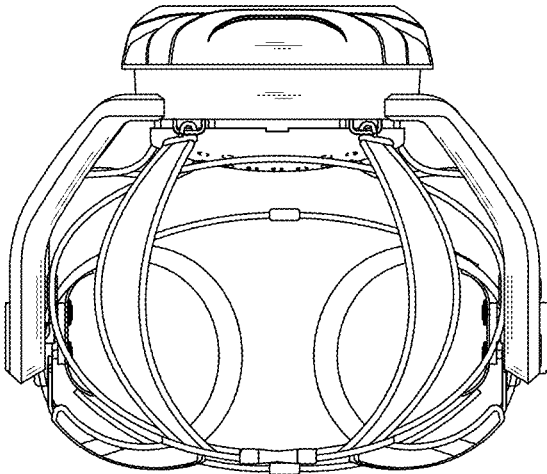


FIG. 4

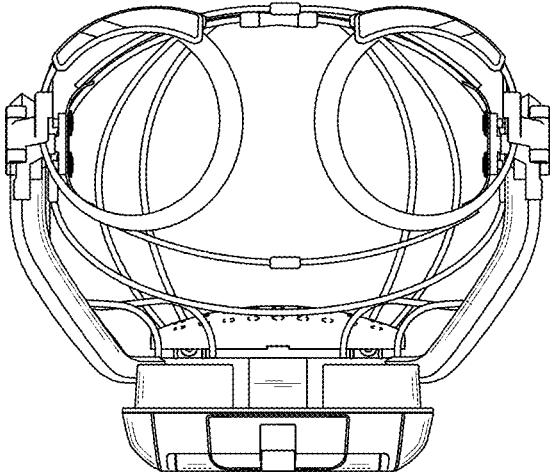


FIG. 5

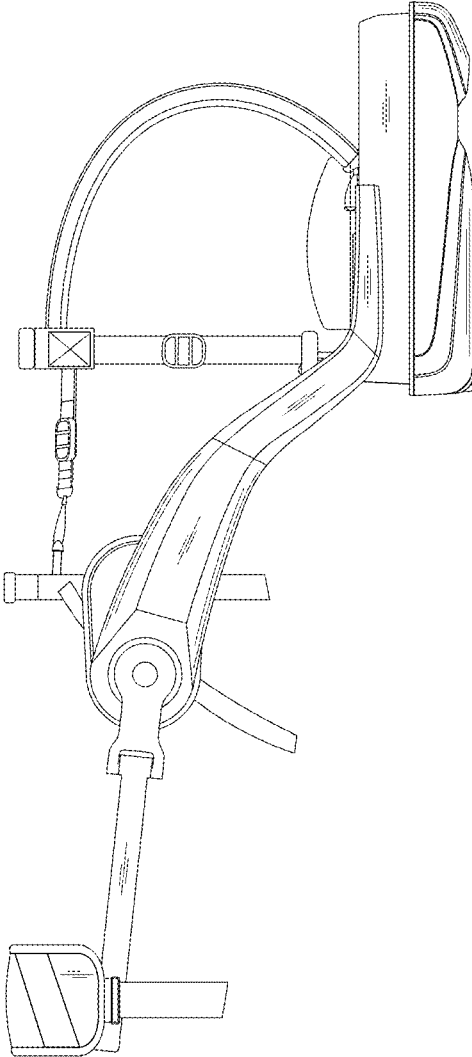


FIG. 6

