



US00D923300S

(12) **United States Design Patent**
Brunner

(10) **Patent No.:** **US D923,300 S**

(45) **Date of Patent:** **** Jun. 29, 2021**

- (54) **SOLE**
- (71) Applicant: **On Clouds GmbH**, Heiden (CH)
- (72) Inventor: **Thilo Alex Brunner**, Zurich (CH)
- (73) Assignee: **ON CLOUDS GMBH**, Zürich (CH)
- (**) Term: **15 Years**
- (21) Appl. No.: **35/508,392**
- (22) Filed: **Mar. 20, 2019**
- (80) **Hague Agreement Data**

Int. Filing Date: **Mar. 20, 2019**
 Int. Reg. No.: **DM/205254**
 Int. Reg. Date: **Mar. 20, 2019**
 Int. Reg. Pub. Date: **Jan. 24, 2020**

- (51) **LOC (13) Cl.** **02-04**
- (52) **U.S. Cl.**
USPC **D2/947**
- (58) **Field of Classification Search**
USPC D2/902, 906, 908, 916, 918, 925,
D2/946-962, 977
CPC A43B 23/24; A43B 3/0078; A43B 3/12;
A43B 3/122; A43B 3/126; A43B 1/00;
A43B 13/00
See application file for complete search history.

(56) **References Cited**
U.S. PATENT DOCUMENTS

D572,440 S * 7/2008 Pologato Moretti D2/907
 D681,315 S * 5/2013 Della Valle D2/908
 D746,029 S * 12/2015 Hardy D2/944

D779,182 S *	2/2017	Hobson	D2/960
D779,791 S *	2/2017	Mason	D2/902
D852,480 S *	7/2019	Kaiserswerth	D2/954
D855,295 S *	8/2019	Della Valle	D2/908
D855,949 S *	8/2019	Sassi	D2/902
D858,064 S *	9/2019	O'Shea	D2/956
D862,047 S *	10/2019	Patillon	D2/908
D866,129 S *	11/2019	Vaccarello	D2/902
D866,130 S *	11/2019	O'Boyle	D2/906
D871,038 S *	12/2019	Roulo	D2/960
D872,443 S *	1/2020	Roulo	D2/960
D876,758 S *	3/2020	Brinkhof	D2/916
D878,718 S *	3/2020	Post	D2/916
D887,681 S *	6/2020	Shorten	D2/902
D891,051 S *	7/2020	Smith	D2/947
D897,645 S *	10/2020	Vestuti	D2/947
D903,254 S *	12/2020	Simone	D2/947

* cited by examiner

Primary Examiner — Michael A. Pratt
 (74) *Attorney, Agent, or Firm* — Pauley Erickson & Swanson

(57) **CLAIM**

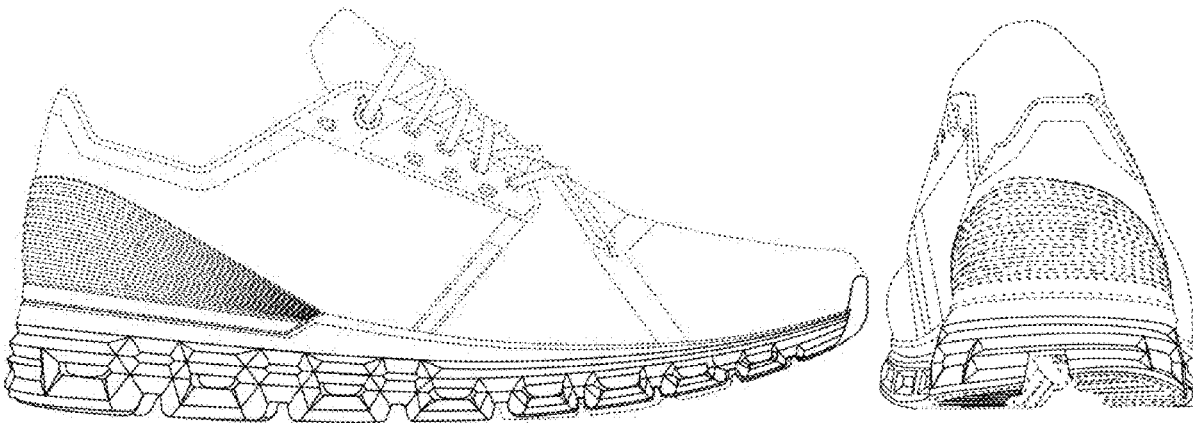
The ornamental design for sole, as shown and described.

DESCRIPTION

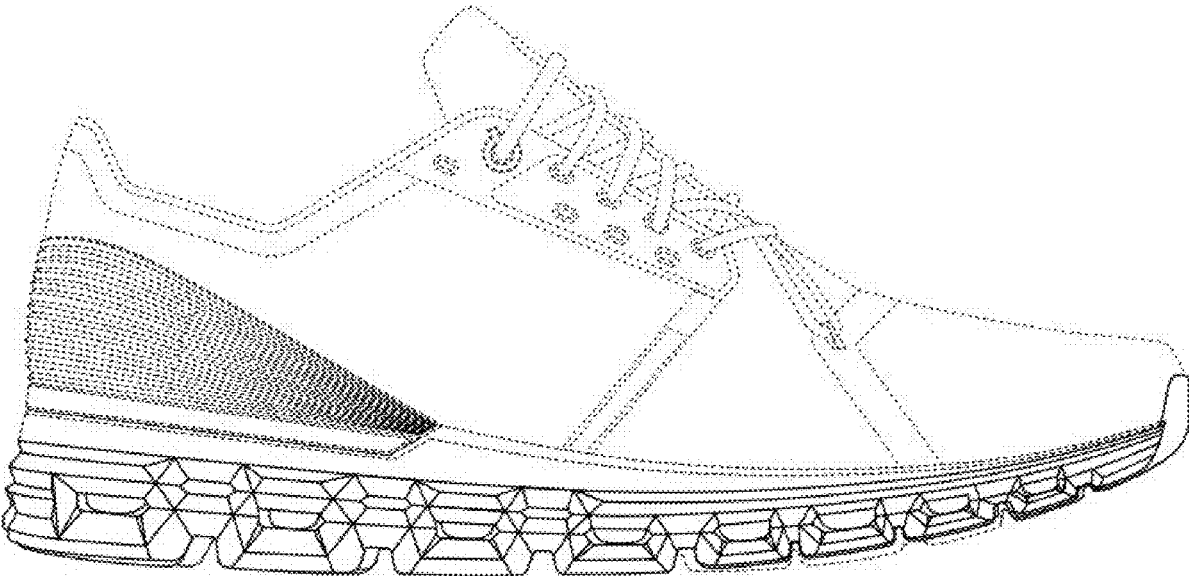
- 1. Sole
- 1.1** : Right
- 1.2** : Left
- 1.3** : Top
- 1.4** : Bottom
- 1.5** : Front
- 1.6** : Back

The broken line showing of a shoe upper and tread is included for the purpose of illustrating environment and forms no part of the claimed design.

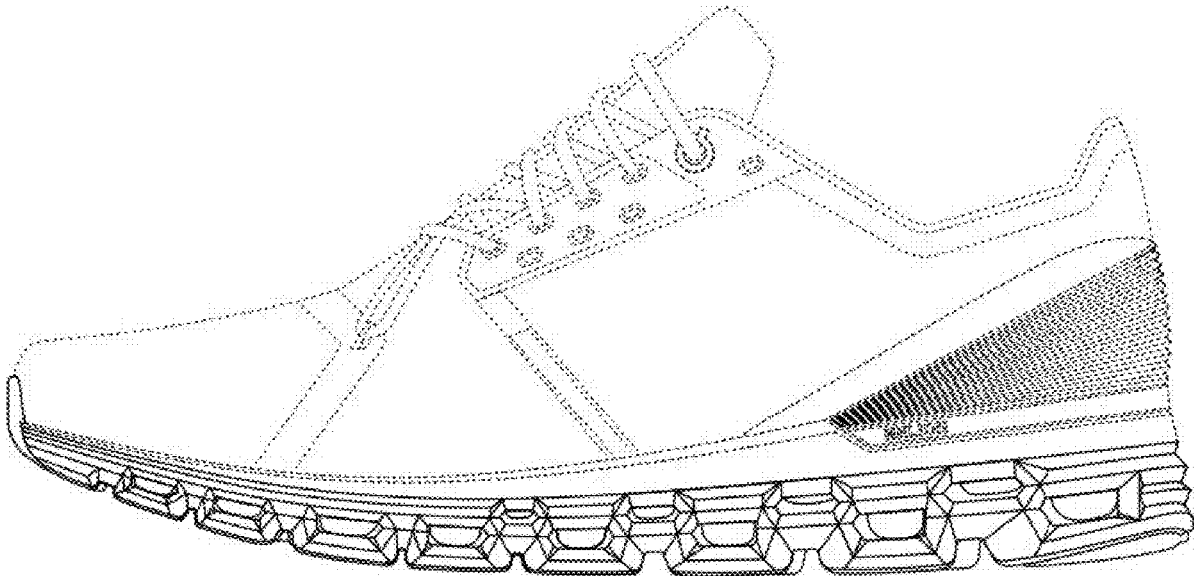
1 Claim, 6 Drawing Sheets



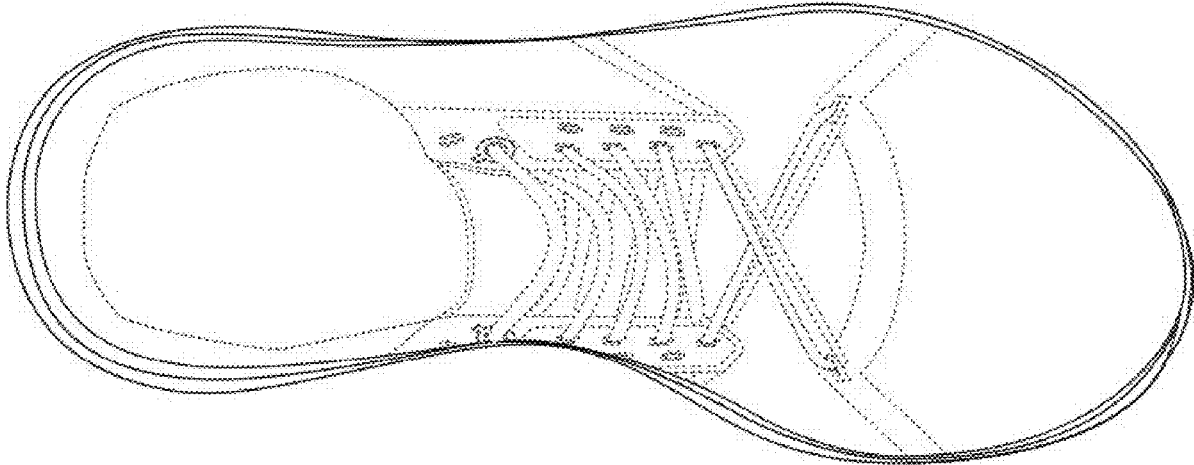
1.1



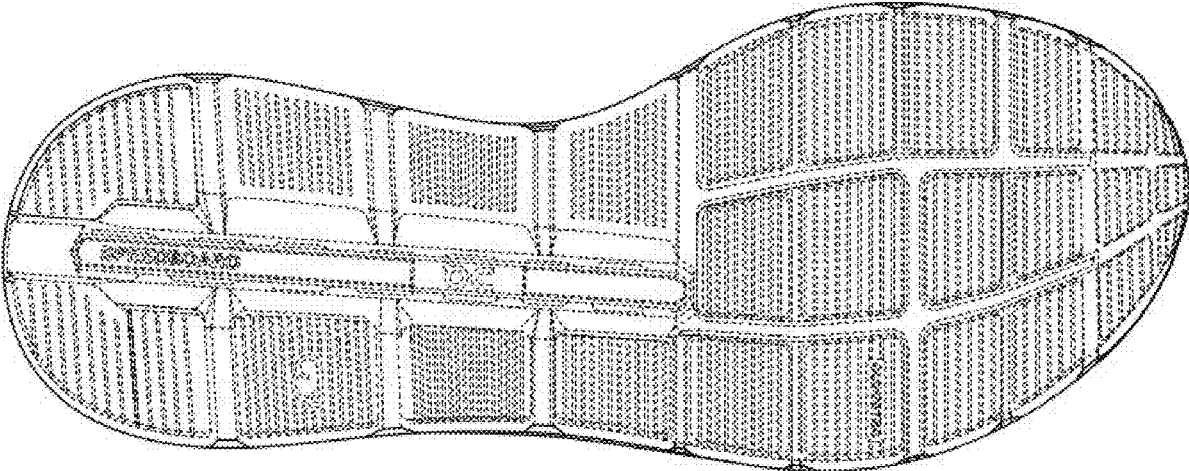
1.2



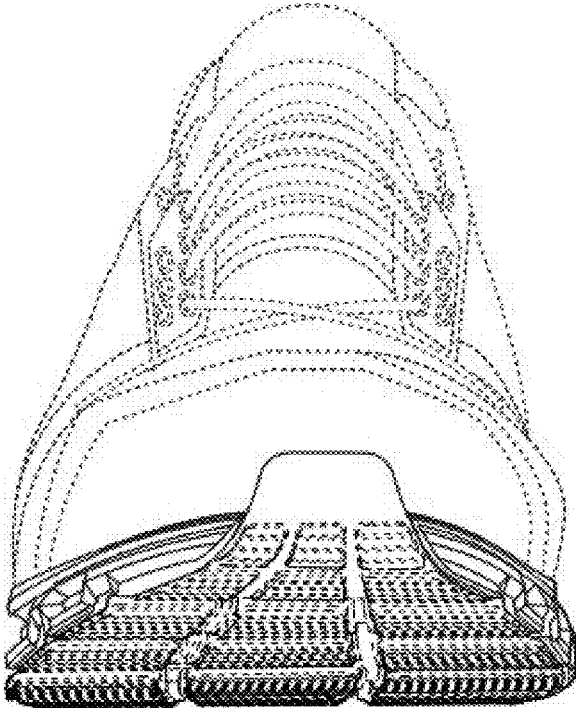
1.3



1.4



1.5



1.6

