



US00D742524S

(12) **United States Design Patent**
Yao et al.

(10) **Patent No.:** **US D742,524 S**

(45) **Date of Patent:** **** Nov. 3, 2015**

(54) **ANALYTE METER**

(71) Applicant: **Bayer HealthCare LLC**, Whippany, NJ
(US)

(72) Inventors: **Raymond Yao**, Ossining, NY (US);
Kuen Chang, Chicago, IL (US); **Ross**
Lockwood, Chicago, IL (US)

(73) Assignee: **Bayer Healthcare LLC**, Whippany, NJ
(US)

(**) Term: **14 Years**

(21) Appl. No.: **29/509,336**

(22) Filed: **Nov. 17, 2014**

(51) **LOC (10) Cl.** **24-01**

(52) **U.S. Cl.**
USPC **D24/169**

(58) **Field of Classification Search**
USPC D10/78, 81; D24/169
CPC A61B 5/14532; A61B 5/1411; A61B
5/15186; A61B 5/151; A61B 2562/0295;
G01N 33/523; G01N 33/526; G01N 33/66
See application file for complete search history.

(56) **References Cited**

U.S. PATENT DOCUMENTS

5,019,974 A	5/1991	Beckers	
D363,885 S	11/1995	Okamoto et al.	
5,507,288 A	4/1996	Böcker et al.	
5,575,403 A	11/1996	Charlton et al.	
D411,621 S	6/1999	Eisenbarth et al.	
D435,796 S	1/2001	Tomiyama et al.	
6,246,966 B1	6/2001	Perry	
6,519,141 B2	2/2003	Tseng et al.	
D493,536 S	7/2004	Jaeck et al.	
6,858,182 B1	2/2005	Ito et al.	
7,074,807 B2 *	7/2006	Kasid et al.	514/315

D545,436 S	6/2007	Padain	
D545,438 S	6/2007	Huang et al.	
D545,439 S *	6/2007	Draudt et al.	D24/186
D546,216 S *	7/2007	Bolognesi et al.	D10/81
D546,454 S	7/2007	Gutmann et al.	

(Continued)

FOREIGN PATENT DOCUMENTS

EP	1 369 688 A2	12/2003
WO	WO 2005/040793 A1	5/2005
WO	WO 2006/066038 A2	6/2006

OTHER PUBLICATIONS

Accu-Chek® Complete Blood Glucose Monitoring System User's
Manual, © 1997 Boehringer Mannheim Corporation, 97 pages.

(Continued)

Primary Examiner — Antoine D Davis

(74) *Attorney, Agent, or Firm* — Nixon Peabody LLP

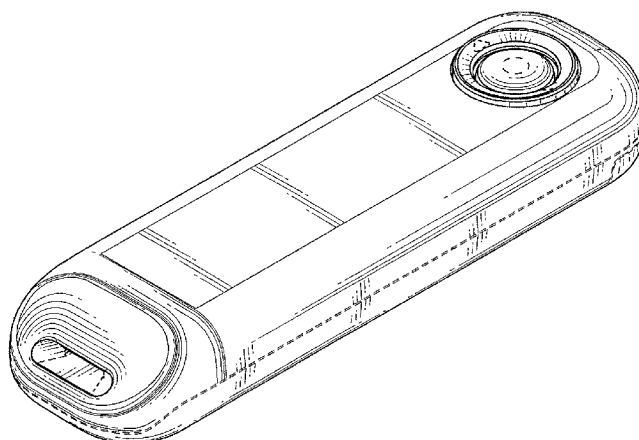
(57) **CLAIM**

The ornamental design for analyte meter, as shown and
described.

DESCRIPTION

FIG. 1 is a perspective view of an analyte meter.
FIG. 2 is a first side view of the analyte meter.
FIG. 3 is a second side view of the analyte meter, which is
opposite of the first side view of FIG. 2.
FIG. 4 is a top plan view of the analyte meter.
FIG. 5 is a bottom plan view of the analyte meter.
FIG. 6 is a front plan view of the analyte meter; and,
FIG. 7 is a rear plan view of the analyte meter, which is
opposite of the front plane view of FIG. 6.
The portions of the drawings shown in broken lines represent
environmental structure and form no part of the claimed
design.

1 Claim, 4 Drawing Sheets



(56)

References Cited

U.S. PATENT DOCUMENTS

7,241,265 B2 7/2007 Cummings et al.
 D581,056 S 11/2008 Kurokawa et al.
 D586,677 S 2/2009 Nothacker et al.
 D590,063 S 4/2009 Garthoff et al.
 D595,415 S 6/2009 Fukuzawa
 D606,434 S 12/2009 Castrodale et al.
 7,637,868 B2* 12/2009 Saint et al. 600/365
 D611,151 S 3/2010 Lei
 7,715,893 B2* 5/2010 Kamath et al. 600/347
 D626,651 S* 11/2010 Brauer et al. D24/169
 D627,068 S* 11/2010 Brauer et al. D24/169
 D630,113 S* 1/2011 Orr et al. D10/81
 D642,943 S 8/2011 Laurino et al.
 8,021,631 B2* 9/2011 Ruhl et al. 422/554
 D651,105 S 12/2011 Teo et al.
 D663,421 S* 7/2012 Steiner et al. D24/169
 D663,814 S* 7/2012 Cassell et al. D23/317
 8,260,393 B2* 9/2012 Kamath et al. 600/347
 D669,375 S* 10/2012 Kao et al. D10/81
 8,357,107 B2* 1/2013 Draudt et al. 600/584
 8,431,408 B2* 4/2013 Lewis et al. 436/164
 D682,718 S* 5/2013 Azuma D10/70
 8,496,602 B2* 7/2013 Harttig et al. 600/584
 8,585,975 B2* 11/2013 Satou et al. 422/82.12
 D700,083 S* 2/2014 Brigham D10/70
 8,834,691 B2* 9/2014 Kondo et al. 204/403.01

D727,764 S* 4/2015 Nothacker et al. D10/81
 D731,341 S* 6/2015 Kobayakawa D10/81
 9,050,413 B2* 6/2015 Brauker et al. 1/1
 2003/0031591 A1 2/2003 Whitson et al.
 2003/0176183 A1 9/2003 Drucker et al.
 2004/0048394 A1 3/2004 Kirchhevel
 2004/0118704 A1 6/2004 Wang et al.
 2005/0143675 A1 6/2005 Neel et al.
 2007/0233395 A1* 10/2007 Neel et al. 702/19
 2008/0015422 A1 1/2008 Wessel
 2008/0268485 A1 10/2008 Guarino et al.
 2009/0030382 A1 1/2009 Brandt et al.
 2009/0304547 A1* 12/2009 Werner et al. 422/55
 2010/0119414 A1 5/2010 Eisenhardt et al.
 2011/0027908 A1 2/2011 Siciliano et al.

OTHER PUBLICATIONS

TheraSense® FreeStyle Tracker Diabetes Management System
 Blood Glucose Testing Guide, © 2002 TheraSense, 17 pages.
 OneTouch® UltraSmart Blood Glucose Monitoring System Meter
 and Electronic Logbook In One Owner's Booklet, © 2002 LifeScan,
 Inc., 69 pages.
 Accu-Chek® Aviva Blood Glucose Meter Owner's Booklet © 2005
 Roche Diagnostics, 80 pages.
 OneTouch® Ultra® Blood Glucose Monitoring System Owner's
 Booklet, © 2005 LifeScan, Inc., 73 pages.

* cited by examiner

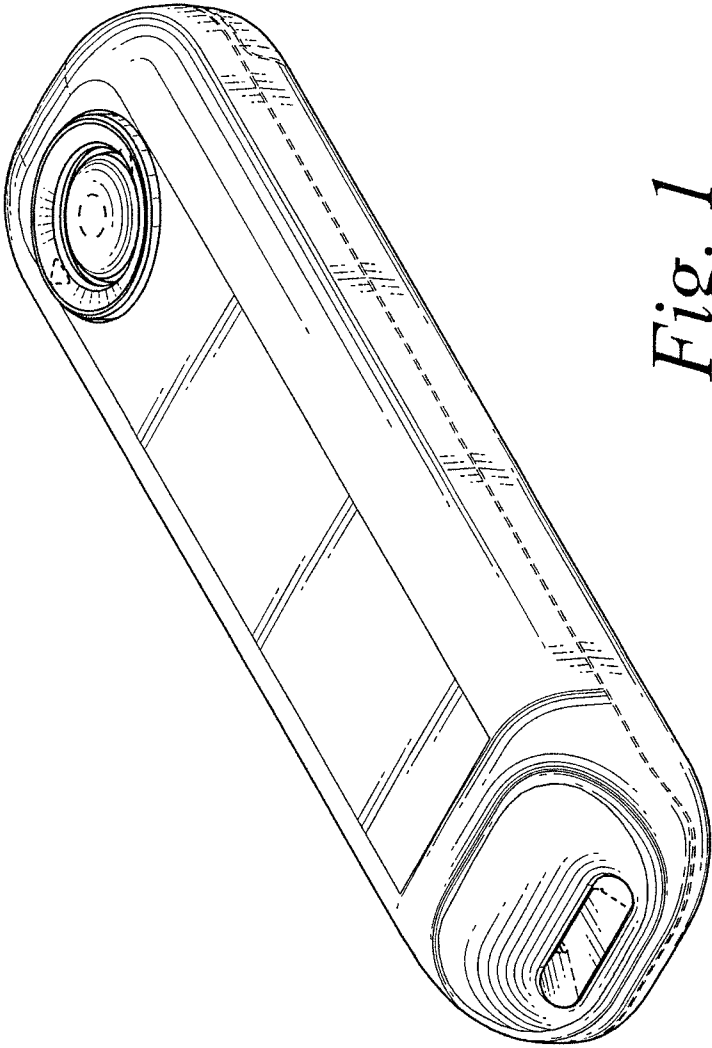


Fig. 1

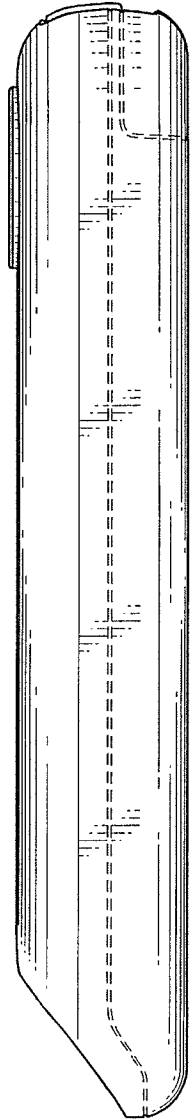


Fig. 2

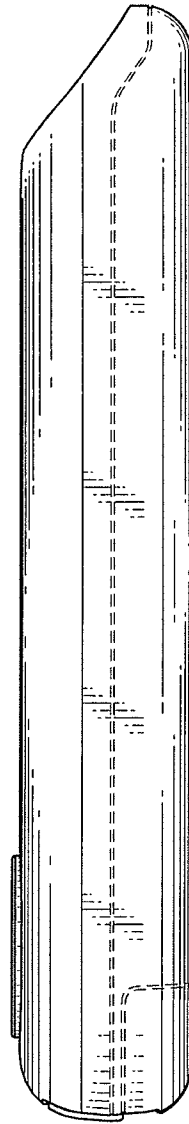


Fig. 3

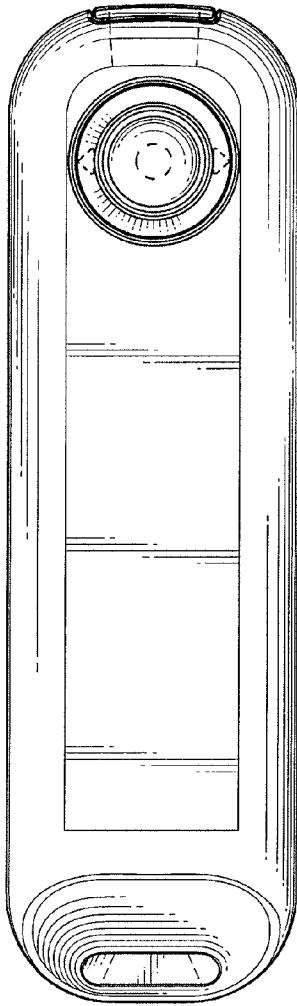


Fig. 4

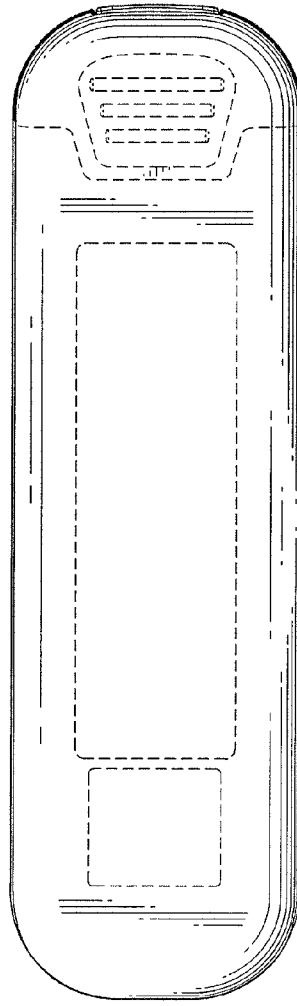


Fig. 5

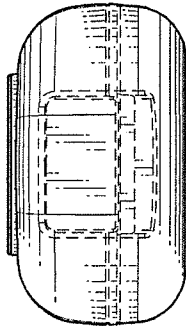


Fig. 7

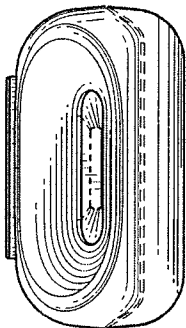


Fig. 6