



US00D420279S

United States Patent [19]
Wang

[11] **Patent Number: Des. 420,279**
[45] **Date of Patent: ** Feb. 8, 2000**

- [54] **MULTI-SWIVEL CONNECTOR**
- [75] Inventor: **Yong Wang**, Ossining, N.Y.
- [73] Assignee: **Unex Corporation**, Mahwah
- [**] Term: **14 Years**
- [21] Appl. No.: **29/104,024**
- [22] Filed: **Apr. 27, 1999**

Primary Examiner—Holly Baynam
Attorney, Agent, or Firm—Michael J. Striker

[57] **CLAIM**

The ornamental design for a multi-swivel connector, as shown and described.

DESCRIPTION

FIG. 1 is a perspective view of a multi-swivel connector showing my new design;

FIG. 2 is an end view thereof;

FIG. 3 is the opposite end view thereof;

FIG. 4 is a side view thereof which is a mirror image of the opposite side thereof; and,

FIG. 5 is a top plan view thereof which is a mirror image of the bottom plan view thereof.

Related U.S. Application Data

- [62] Division of application No. 29/097,703, Dec. 11, 1998.
- [51] **LOC (7) Cl.** **08-05**
- [52] **U.S. Cl.** **D8/382**
- [58] **Field of Search** D8/382; 403/113,
403/150; 248/289.11, 230.4

References Cited

U.S. PATENT DOCUMENTS

- D. 373,720 9/1996 Hirano et al. D8/382

1 Claim, 2 Drawing Sheets

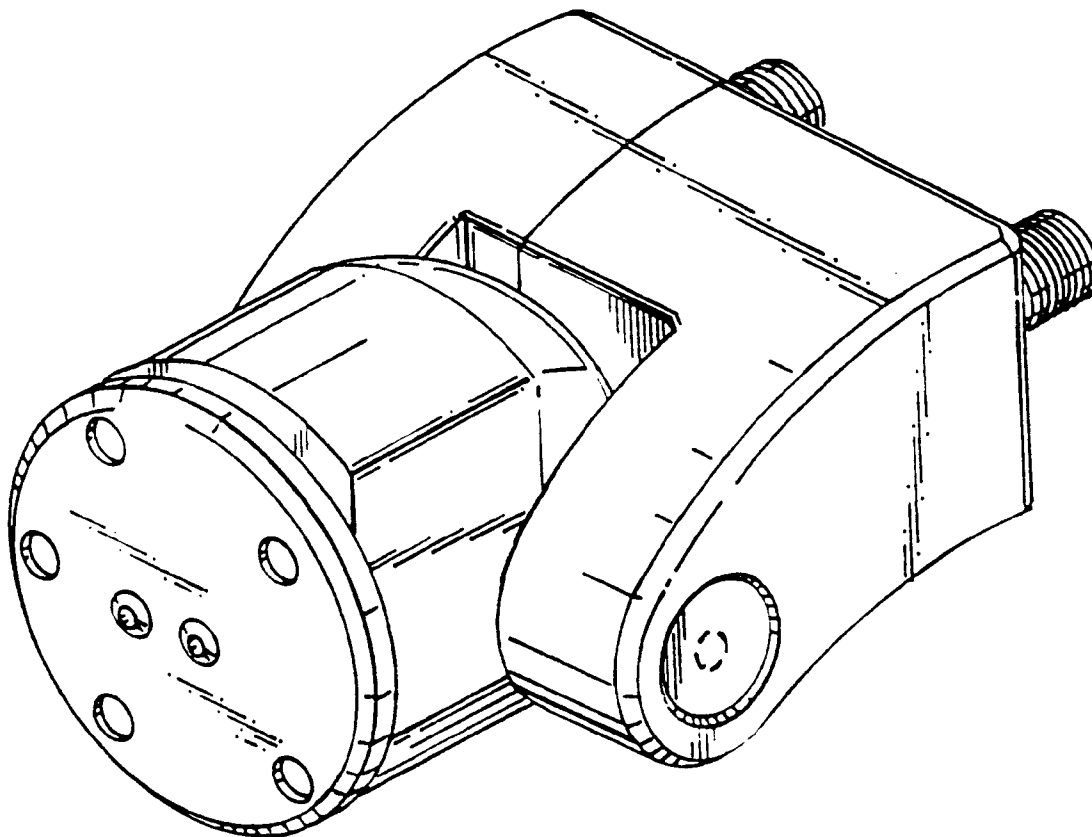


FIG. 1

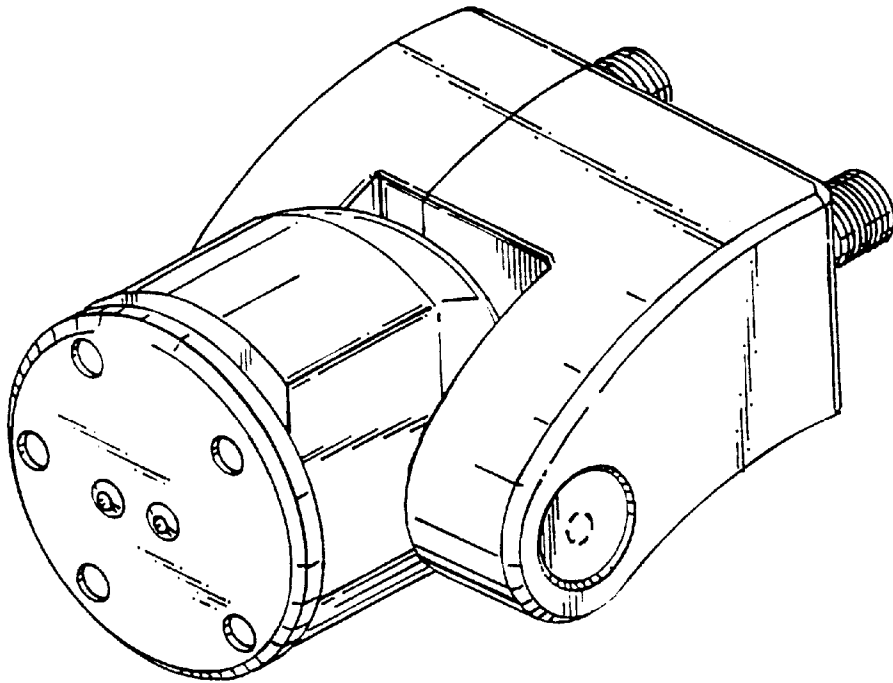


FIG. 2

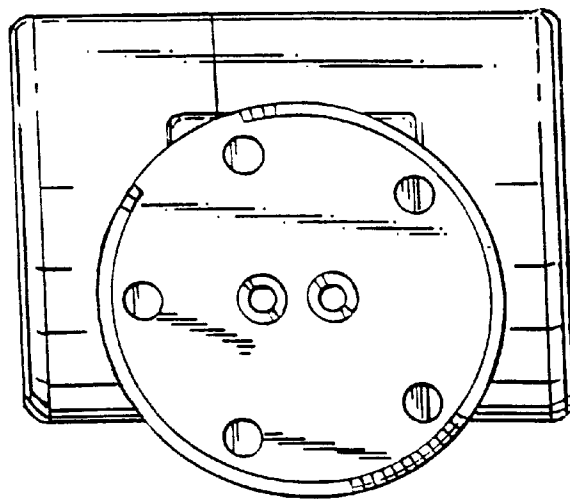


FIG. 3

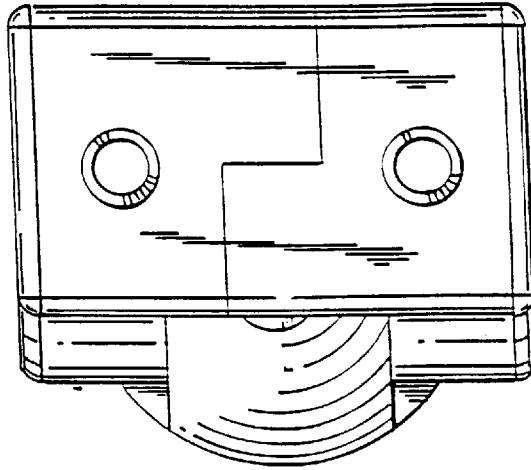


FIG. 4

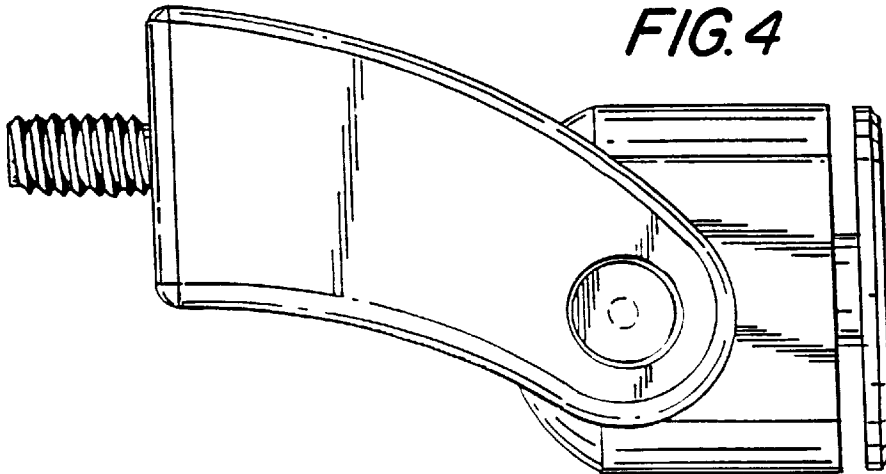


FIG. 5

