

(19)
(12)

(KR)
(A)

(51) 。 Int. Cl.7
H04B 7/155

(11)
(43)

10-2005-0012059
2005 01 31

(21) 10-2003-0051152
(22) 2003 07 24

(71) 136-1

(72) 3 2-912

(74)

:

(54)

SAW(Surface Acoustic Wave :) , 가 FA 가 FA(F
 requency Assignment) , , (ACA : Analog Conver
 sion board Assembly) , , - ,
 , / , , ,
 , SAW ,
 FA .

5

- 1 CDMA / ,
- 2 CDMA / ,
- 3 2 - ,
- 4 ,
- 5 1 ,

6 2 ,
 7 3 ,
 8 3 CDMA /
 9 1FA 3FA SAW RF OUT
 < >
 100, 200, 300 - (FEU)
 110, 210, 310
 130
 131, 230, 330
 132 SAW
 240, 400 SAW

(CDMA)
 SAW(Surface Acoustic Wave :) , 가 FA 가 FA(Frequency
 Assignment)
 , (CDMA) 가 가
 (Duplexer) (TX) (RX) 가 가
 , 가 (LPA) 가 (HPA)
 (LPA) (FEU) , FA
 (Type) (FEU) (Dive)
 rsity Path) -
 1 CDMA /
 , (ACA : Analog Conversion board Assembly)(11) ,
 (11) (12) ,
 (12) (14) , (14)
 (11) 1 - (13) ,
 (15) , (15)
 (11) 2 - (16)
 CDMA /

(11) (12)

1 (13) (14)

(14) (11) 1 (13)

(11) (15) 2 (16)

FA CDMA FA / (Amp)

wer Amplifier) , 20W/FA 가가 , 3FA 가 60W LPA(Linear Po

3FA , 1FA, 2FA

2 CDMA /

(ACA : Analog Conversion board Assembly)(21) , (22) ,

(22) (21) (24) (24) (23) , (25)

1FA (21) 1 - (23) (25)

2FA (21) (26) , (26) 2FA (27)

CDMA /

(21) (22)

1 (23) (24)

(24) (21) 1FA 1 (23)

(25) , 2 (27)

2 (26) (26) (21) 2FA

CDMA / 20W HPA(High Powe

r Amplifier) , FA (Diversity Path) 40W LPA

3 1 2 (FEU)

30 (Duplexer) (FEU) , 31

(LNA) 32 , 33

FA 가 , 가 4 10MHz

(Isolation) FA 가

SAW(Surface Acoustic Wave :) , 가 FA 가
FA(Frequency Assignment)

SAW

RF SAW FA

1

(ACA : Analog Conversion board Assembly) , /

SAW

2

(ACA : Analog Conversion board Assembly) , /

SAW

3

(ACA : Analog Conversion board Assembly) , /

SAW

(220) 2 , (210) (220) ,
(230) (230) , SAW (240) (230)

< 3 >

7 3 .
, SAW (400) (ACA : Analog Conversion board Assembly) - (FEU)

SAW (400) 3 , -

8 7 / .
510 520
530 - 540

1 3 50dB 가 SAW 1 ~ 2dB
9 가 가 SAW 가
FA 50dB 가 가

가 10MHz(6MHz) FA
FA1 가 FA3 가 가 FA
가 10 ~ 15dB , 9 FA1 FA3 , SAW 가 가 FA3
가 가 FA 3FA

450MHz

FA2 , FA1 FA3
FA3 (가 가)
- SAW

, SAW 가 FA

가 ,

가 .

가

FA

(57)

1.

(ACA : Analog Conversion board Assembly) ,

-

/

-

2.

1

3.

(ACA : Analog Conversion board Assembly) ,

-

/

-

SAW

4.

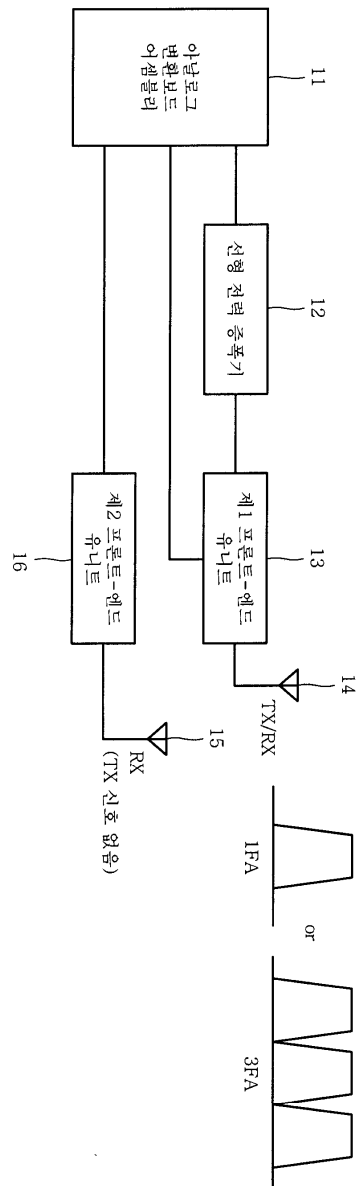
(ACA : Analog Conversion board Assembly) ,

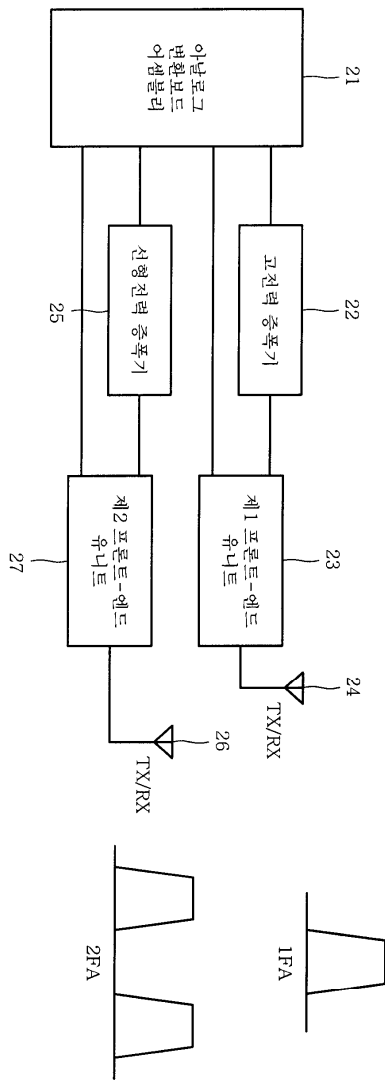
-

/

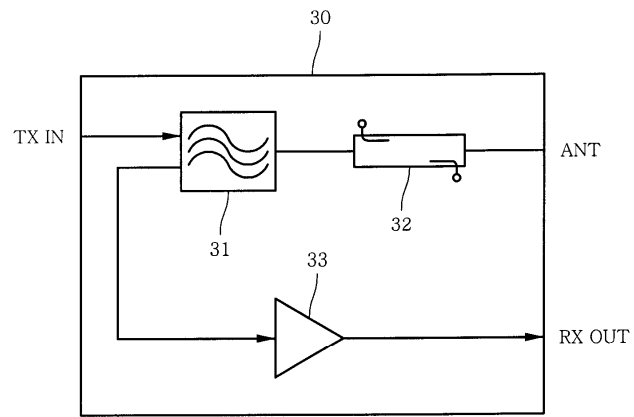
-

SAW

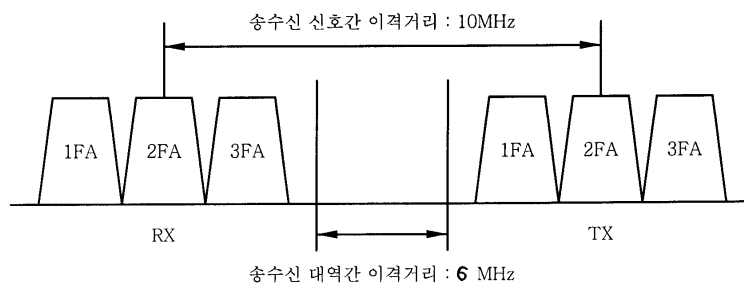




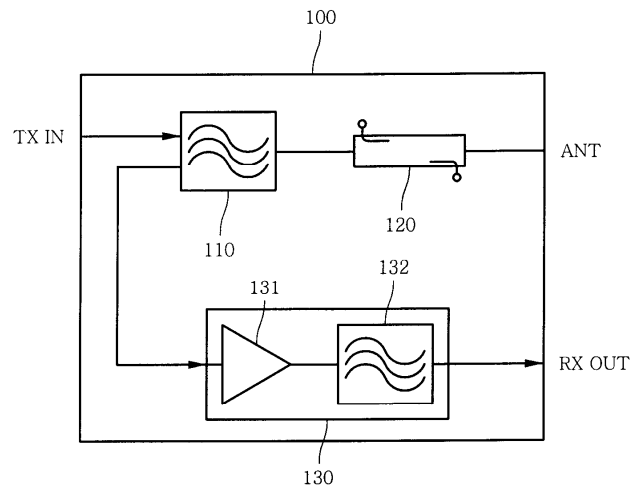
3



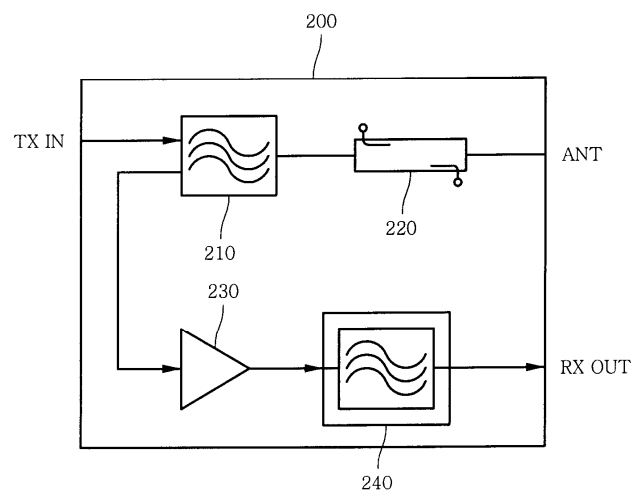
4



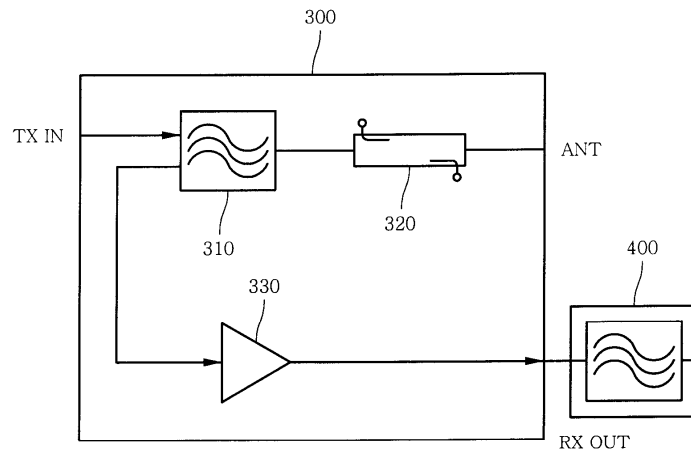
5



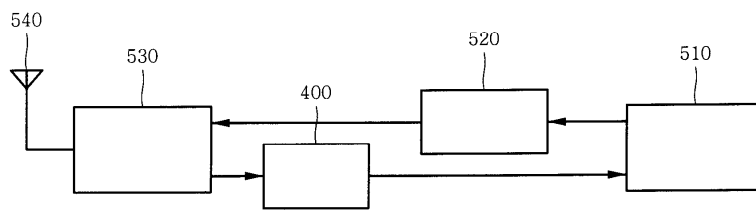
6



7



8



9

