



US00D636855S

(12) **United States Design Patent**
Thomas

(10) **Patent No.:** **US D636,855 S**

(45) **Date of Patent:** **** Apr. 26, 2011**

- (54) **SINK**
- (75) Inventor: **Carter J. Thomas**, Branchburg, NJ (US)
- (73) Assignee: **AS IP Holdco, L.L.C.**, Piscataway, NJ (US)
- (**) Term: **14 Years**
- (21) Appl. No.: **29/358,660**

D603,486 S * 11/2009 Mayer et al. D23/293.1
 D607,979 S * 1/2010 Jiang et al. D23/293.1
 D612,025 S * 3/2010 Tanus D23/293.1

* cited by examiner

Primary Examiner — Robert A Delehanty
 (74) *Attorney, Agent, or Firm* — Flaster/Greenberg P.C.

(57) **CLAIM**

The ornamental design for a sink, as shown and described.

DESCRIPTION

FIG. 1 is a perspective view of a sink;
 FIG. 2 is a top plan view of the sink of FIG. 1;
 FIG. 3 is a bottom plan view of the sink of FIG. 1;
 FIG. 4 is a front view of the sink of FIG. 1;
 FIG. 5 is a rear elevational view of the sink of FIG. 1;
 FIG. 6 is a left side view of the sink of FIG. 1; and,
 FIG. 7 is a right side view of the sink of FIG. 1.
 The broken lines showing the bottom and back views are included for the purpose of illustrating a portion of the sink that forms no part of the claimed design.

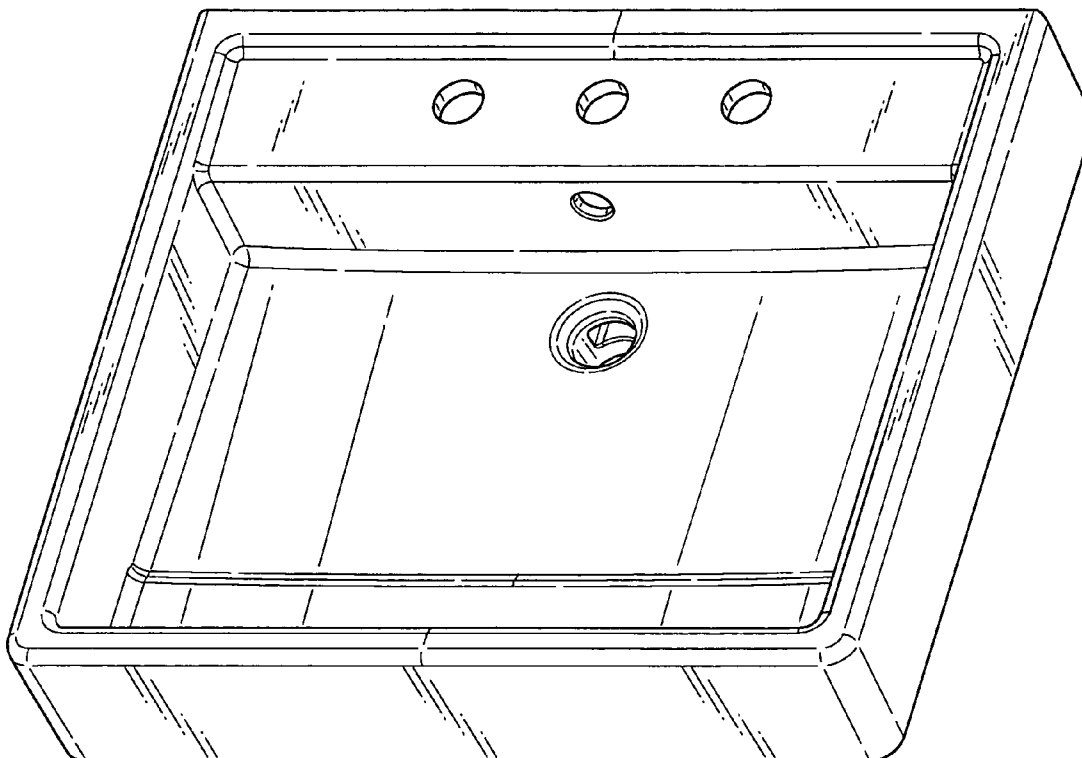
- (22) Filed: **Mar. 30, 2010**
- (51) **LOC (9) Cl.** **23-02**
- (52) **U.S. Cl.** **D23/293.1**
- (58) **Field of Classification Search** D23/284,
 D23/292, 308, 293.1; 4/619, 646
 See application file for complete search history.

(56) **References Cited**

U.S. PATENT DOCUMENTS

D463,538 S * 9/2002 Chipperfield D23/284
 D589,128 S * 3/2009 Mitrani D23/284
 D598,082 S * 8/2009 Booth D23/284

1 Claim, 4 Drawing Sheets



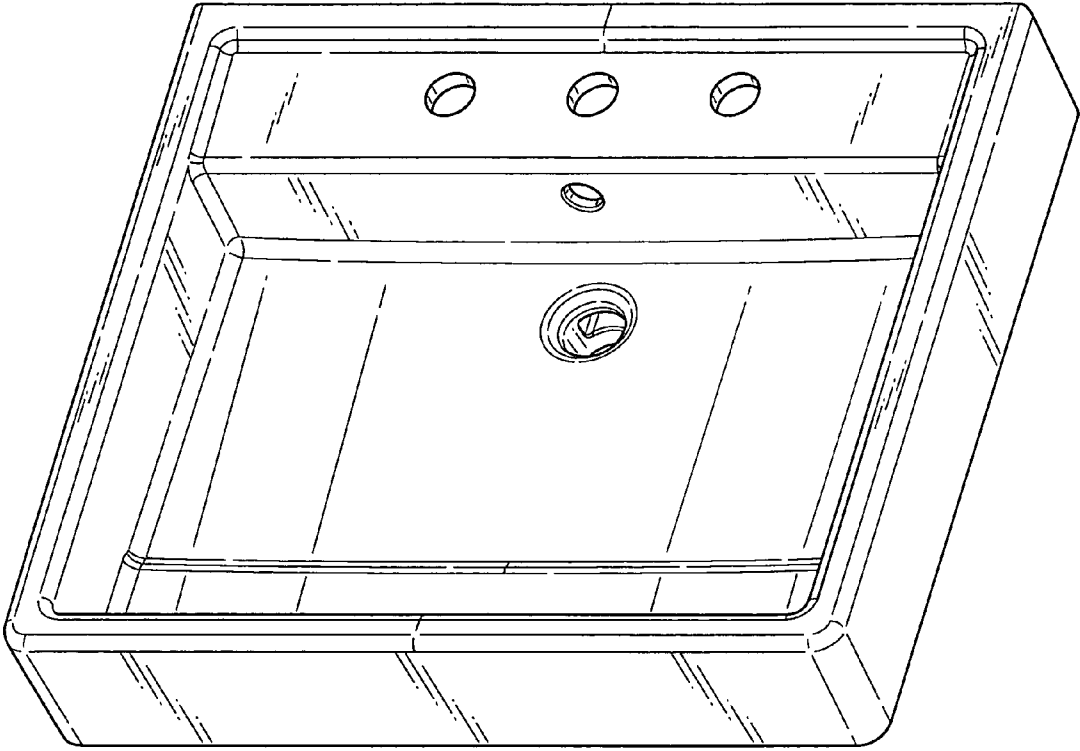


FIG. 1

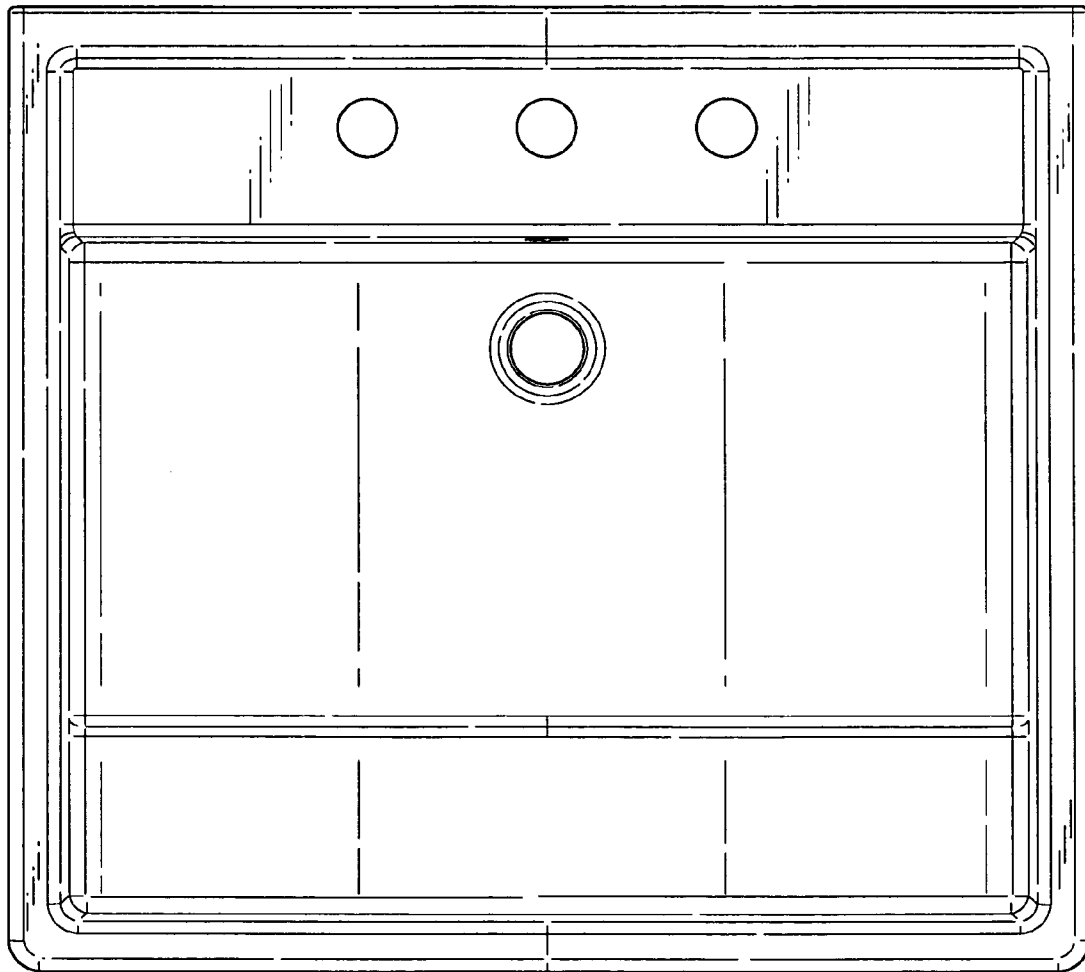


FIG. 2

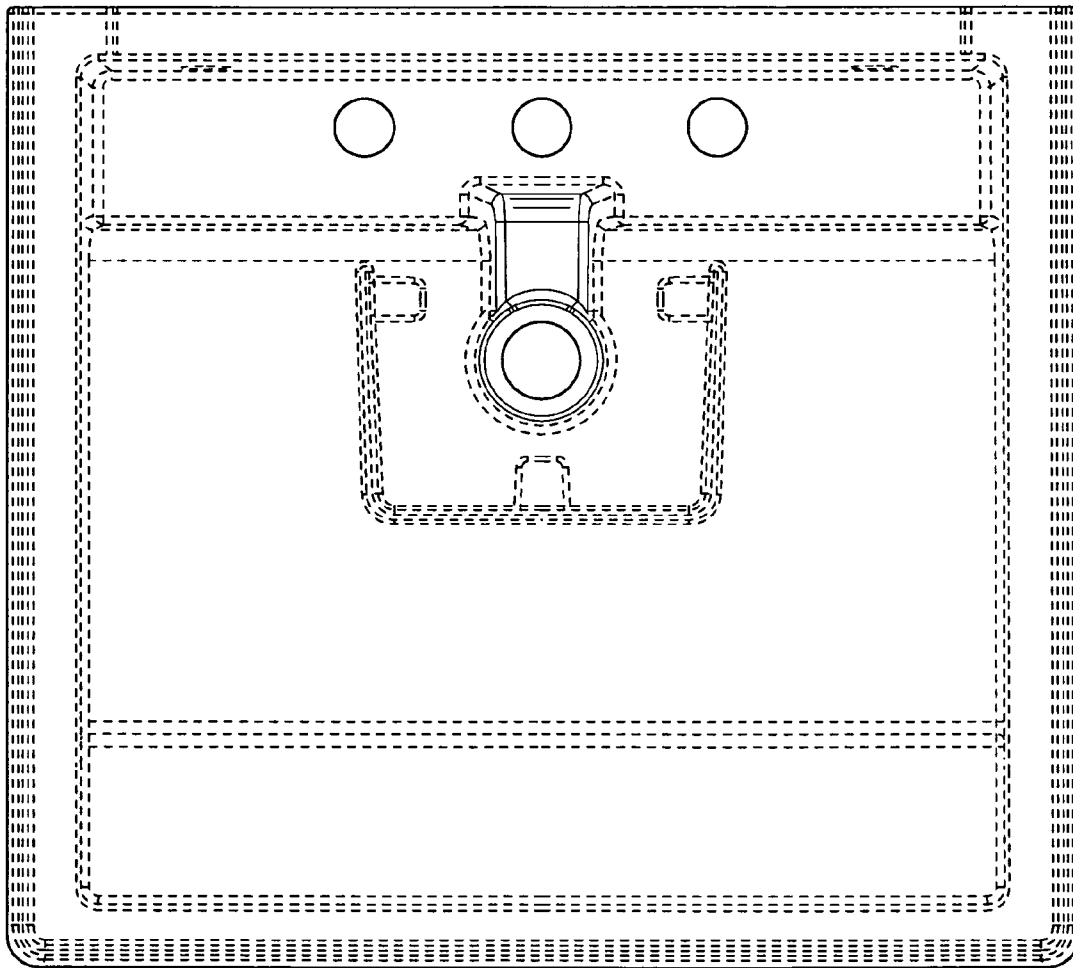


FIG. 3

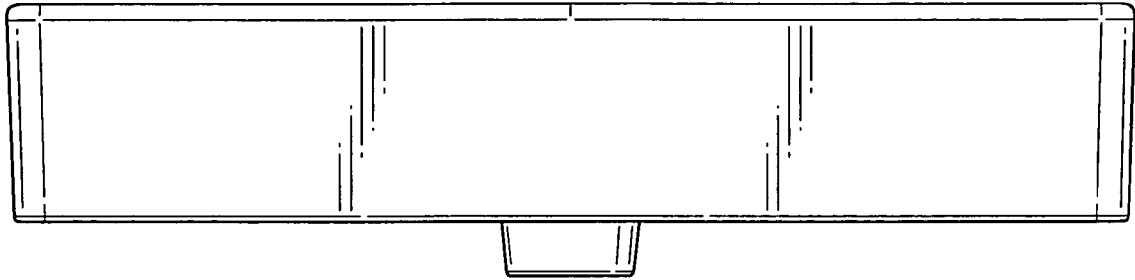


FIG. 4

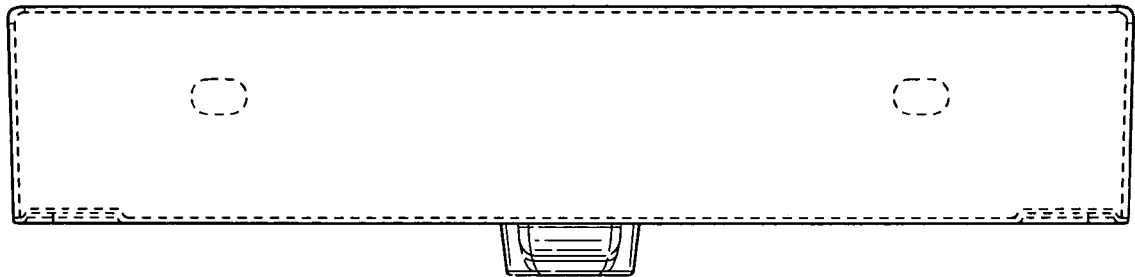


FIG. 5

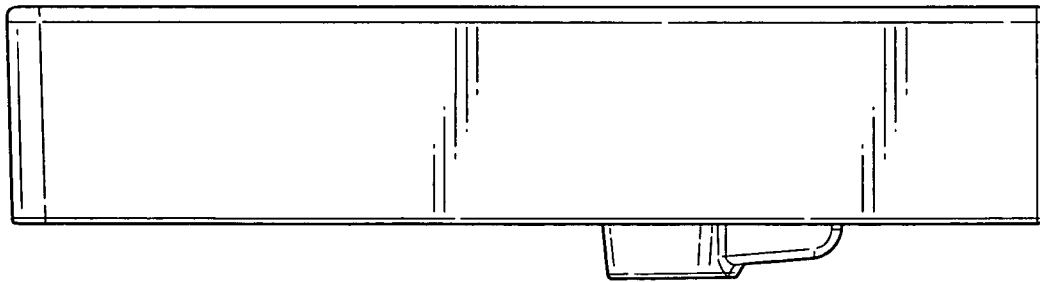


FIG. 6

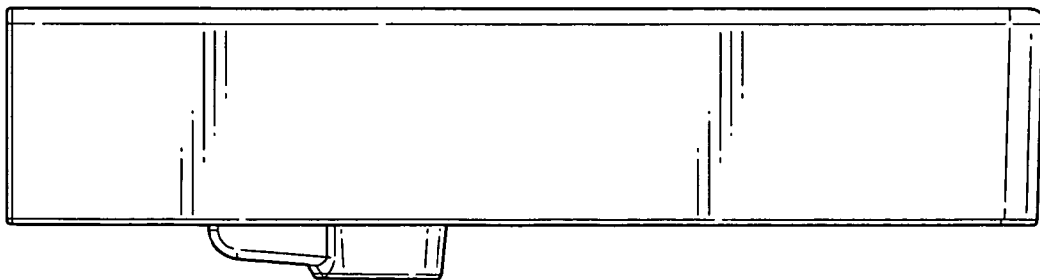


FIG. 7