



US00D681142S

(12) **United States Design Patent**
Fossum et al.

(10) **Patent No.:** **US D681,142 S**

(45) **Date of Patent:** **** Apr. 30, 2013**

(54) **GOLF CLUB HEAD**

Primary Examiner — Mitchell Siegel

(71) Applicant: **Karsten Manufacturing Corporation**,
Phoenix, AZ (US)

(72) Inventors: **Brandon L. Fossum**, Phoenix, AZ (US);
Marty R. Jertson, Phoenix, AZ (US);
Bradley D. Schweigert, Anthem, AZ
(US)

(73) Assignee: **Karsten Manufacturing Corporation**,
Phoenix, AZ (US)

(**) Term: **14 Years**

(21) Appl. No.: **29/437,588**

(22) Filed: **Nov. 19, 2012**

(51) **LOC (9) Cl.** **21-02**

(52) **U.S. Cl.**
USPC **D21/747**

(58) **Field of Classification Search** D21/747-751,
D21/759; 473/324-331, 350
See application file for complete search history.

(56) **References Cited**

U.S. PATENT DOCUMENTS

D179,818 S *	3/1957	Penna	D21/751
D179,819 S *	3/1957	Penna	D21/751
D248,179 S	6/1978	Riley		
D249,373 S	9/1978	Jeghers		
4,139,196 A	2/1979	Riley		
D291,107 S	7/1987	Mendralla et al.		
D316,131 S	4/1991	Antonious		
D339,397 S	9/1993	Iinuma		
D352,755 S	11/1994	Cornish, III		
D357,290 S	4/1995	Viollaz et al.		
D361,358 S	8/1995	Simmons		
5,547,188 A	8/1996	Dumontier et al.		

(Continued)

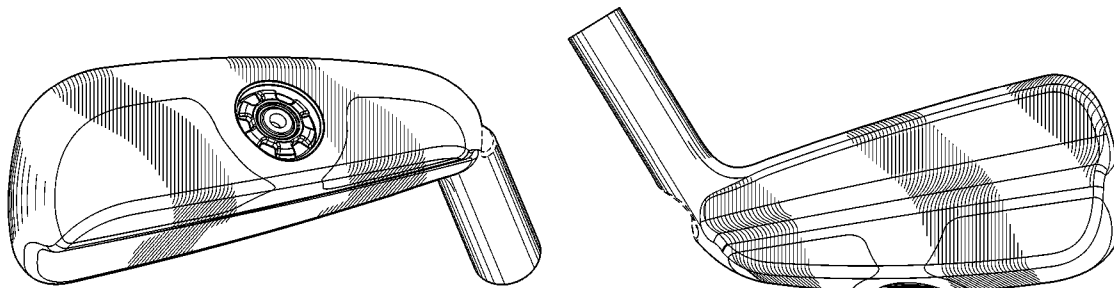
(57) **CLAIM**

The ornamental design for a golf club head, as shown and described.

DESCRIPTION

FIG. 1 is a top perspective view of a golf club head;
 FIG. 2 is a bottom perspective view of the golf club head of FIG. 1;
 FIG. 3 is a front elevational view of the golf club head of FIG. 1;
 FIG. 4 is a rear elevational view of the golf club head of FIG. 1;
 FIG. 5 is a top view of the golf club head of FIG. 1;
 FIG. 6 is a bottom view of the golf club head of FIG. 1;
 FIG. 7 is a left side view of the golf club head of FIG. 1; and
 FIG. 8 is a right side view of the golf club head of FIG. 1.
 FIG. 9 is a top perspective view of a second embodiment of a golf club head;
 FIG. 10 is a bottom perspective view of the golf club head of FIG. 9;
 FIG. 11 is a front elevational view of the golf club head of FIG. 9;
 FIG. 12 is a rear elevational view of the golf club head of FIG. 9;
 FIG. 13 is a top view of the golf club head of FIG. 9;
 FIG. 14 is a bottom view of the golf club head of FIG. 9;
 FIG. 15 is a left side view of the golf club head of FIG. 9; and
 FIG. 16 is a right side view of the golf club head of FIG. 9
 The broken lines shown in one or more of the figures are for illustrative purposes only and form no part of the claimed design.

1 Claim, 8 Drawing Sheets



US D681,142 S

U.S. PATENT DOCUMENTS					
D379,391 S	5/1997	Moore	D557,363 S	12/2007	Jertson
D398,682 S	9/1998	Moore	D558,287 S	12/2007	Jertson
D404,098 S	1/1999	Ishikawa et al.	D558,288 S	12/2007	Jertson
D418,888 S	1/2000	Williams, Jr.	D561,286 S	2/2008	Morales
D425,589 S	5/2000	Ishikawa et al.	D562,421 S	2/2008	Jertson
D426,604 S	6/2000	Besnard et al.	D563,498 S	3/2008	Jertson
D441,818 S	5/2001	Sato	D564,054 S	3/2008	Jertson
D442,245 S	* 5/2001	Roach et al. D21/759	D564,055 S	3/2008	Jertson
D445,470 S	7/2001	Teramoto	D564,056 S	3/2008	Chen
D446,268 S	8/2001	Satoh et al.	D566,214 S	4/2008	Evans et al.
D446,563 S	8/2001	Besnard et al.	D567,317 S	4/2008	Jertson
D461,865 S	8/2002	Nagai et al.	D567,891 S	4/2008	Serrano
D463,838 S	10/2002	Besnard et al.	D569,931 S	5/2008	Kellerman
6,475,102 B2	11/2002	Helmstetter et al.	D569,933 S	5/2008	Jertson
D472,950 S	4/2003	Burnett et al.	D569,934 S	5/2008	Jertson
D473,605 S	* 4/2003	Petersen et al. D21/747	D569,935 S	5/2008	Schweigert
D490,489 S	5/2004	Madore	D569,936 S	5/2008	Schweigert
D492,745 S	7/2004	Tang	D570,937 S	6/2008	Schweigert
D503,204 S	* 3/2005	Nicolette et al. D21/749	D570,938 S	6/2008	Jertson
D508,544 S	8/2005	Madore	D570,939 S	6/2008	Chen
D509,272 S	9/2005	Smith et al.	D570,940 S	6/2008	Chen
D509,868 S	* 9/2005	Imamoto D21/747	D570,941 S	6/2008	Chen
D513,424 S	1/2006	Erickson et al.	D571,882 S	6/2008	Soracco
D514,179 S	1/2006	Chen	D572,324 S	7/2008	Chen
D518,129 S	3/2006	Poynor et al.	D572,785 S	7/2008	Chen
D518,543 S	4/2006	Aguinaldo et al.	D572,787 S	7/2008	Sanchez
D521,093 S	5/2006	Jorgensen et al.	D572,791 S	7/2008	Jertson
D522,077 S	5/2006	Schweigert	D573,216 S	7/2008	Sanchez
D522,601 S	6/2006	Schweigert	D573,217 S	7/2008	Sanchez
D523,103 S	6/2006	Hocknell et al.	D573,218 S	7/2008	Sanchez
D523,498 S	6/2006	Chen	D573,676 S	7/2008	Chen
D523,502 S	6/2006	Jorgensen	D574,046 S	7/2008	Chen
D526,694 S	8/2006	Schweigert	D574,048 S	7/2008	Kadoya
D530,761 S	10/2006	Evans et al.	D576,695 S	9/2008	Foster et al.
D532,473 S	11/2006	Chen	D578,587 S	10/2008	Hoffman et al.
D532,854 S	11/2006	Oldknow	D579,066 S	10/2008	Dipert et al.
D535,343 S	1/2007	Chen	D579,067 S	10/2008	Hoffman et al.
D536,049 S	1/2007	Evans et al.	D580,504 S	11/2008	Bosilkovski et al.
D537,139 S	2/2007	Breier et al.	D583,432 S	12/2008	Serrano
D537,495 S	2/2007	Schweigert	D585,100 S	1/2009	Foster et al.
D537,496 S	2/2007	Serrano	D588,217 S	3/2009	Jertson
D537,895 S	3/2007	Breier et al.	D588,659 S	3/2009	Jertson
D538,363 S	3/2007	Schweigert	D594,518 S	6/2009	Schweigert
D538,367 S	3/2007	Foster et al.	D594,520 S	6/2009	Schweigert
D538,371 S	3/2007	Kawami	D594,521 S	6/2009	Jertson
D538,866 S	3/2007	Kim et al.	D594,919 S	6/2009	Schweigert
D538,867 S	3/2007	Cleveland et al.	D596,252 S	7/2009	Jertson
D539,371 S	3/2007	Chen et al.	7,892,111 B2	2/2011	Morales
D550,318 S	9/2007	Oldknow	8,257,197 B2	9/2012	Schweigert
D550,799 S	9/2007	Lin	2005/0043117 A1	2/2005	Gilbert et al.
D552,198 S	10/2007	Schweigert	2008/0039228 A1	2/2008	Breier et al.
D553,206 S	10/2007	Morales	2008/0171612 A1	7/2008	Serrano
D554,216 S	* 10/2007	Vrska et al. D21/759	2009/0029795 A1	1/2009	Schweigert
D555,745 S	11/2007	Rollinson et al.	2010/0285901 A1	11/2010	Schweigert
D557,362 S	12/2007	Serrano			

* cited by examiner

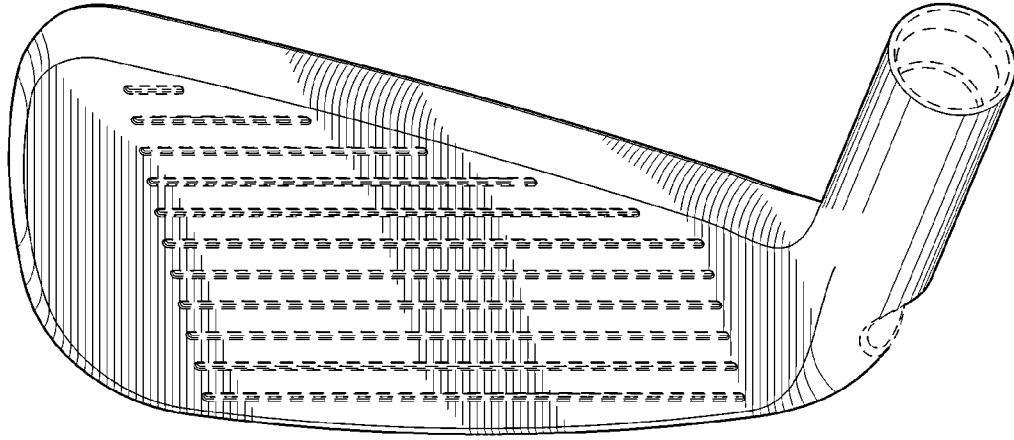


Fig. 1

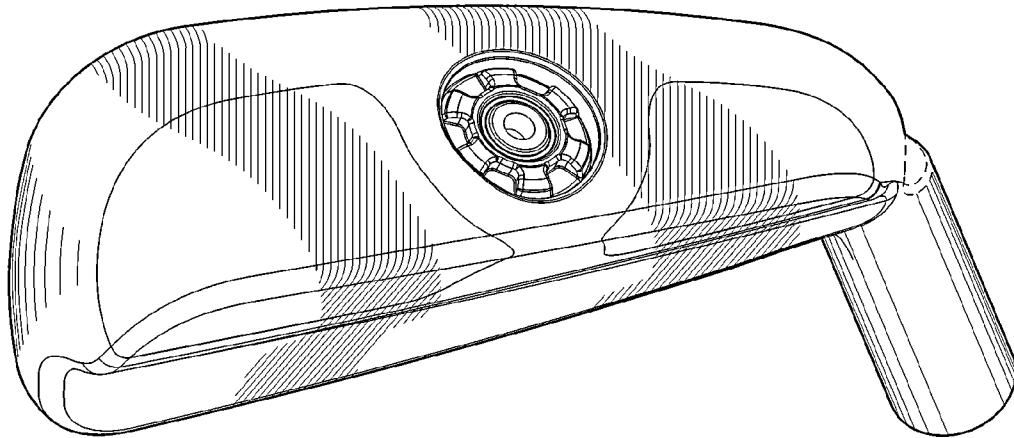


Fig. 2

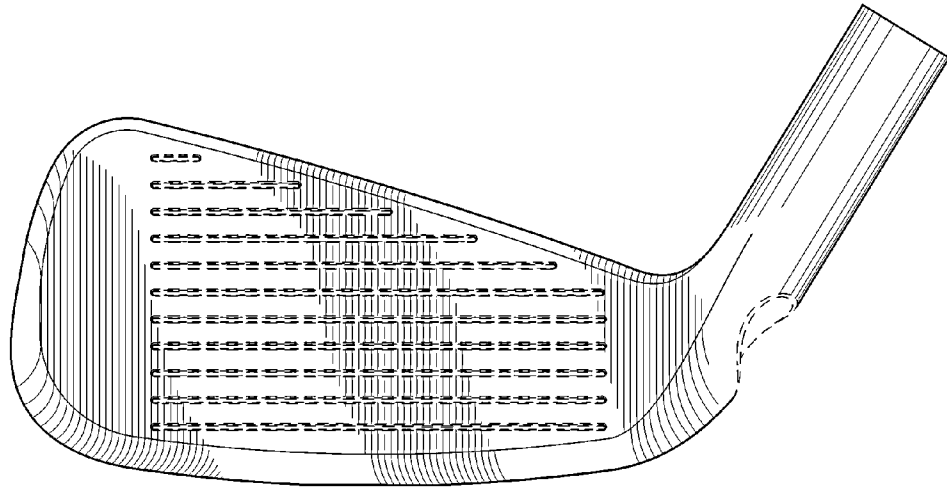


Fig. 3

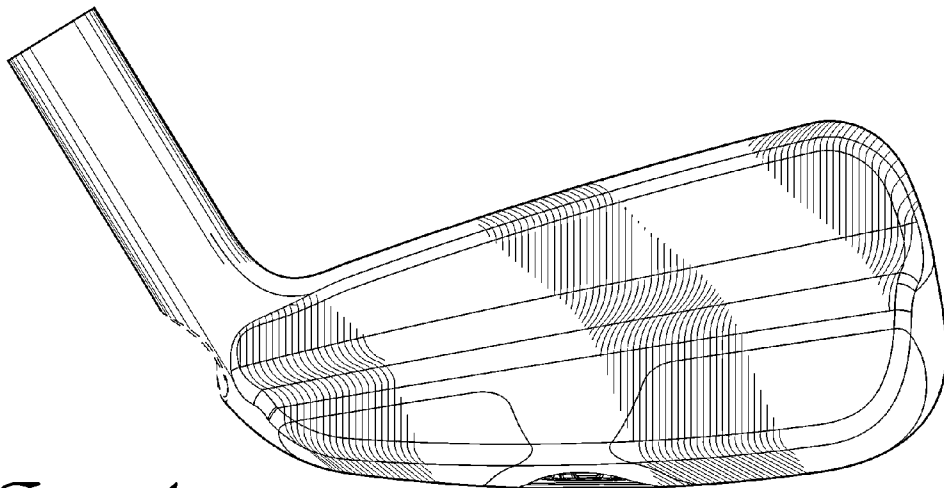


Fig. 4

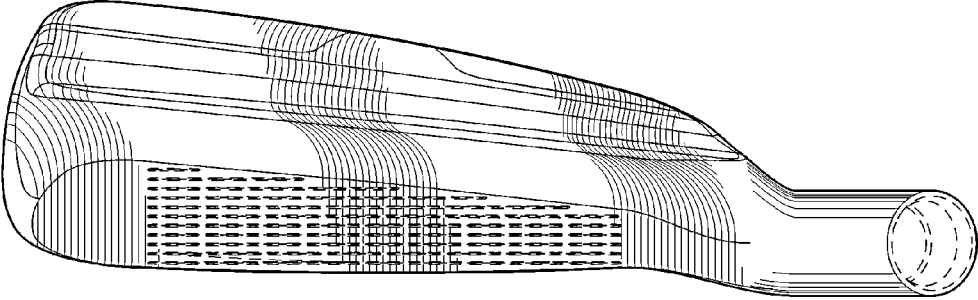


Fig. 5

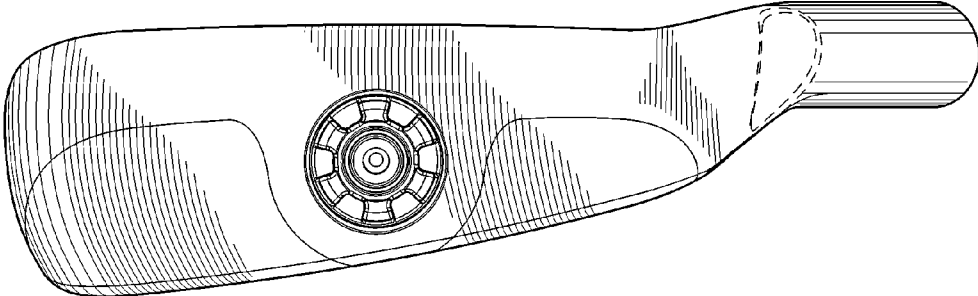


Fig. 6

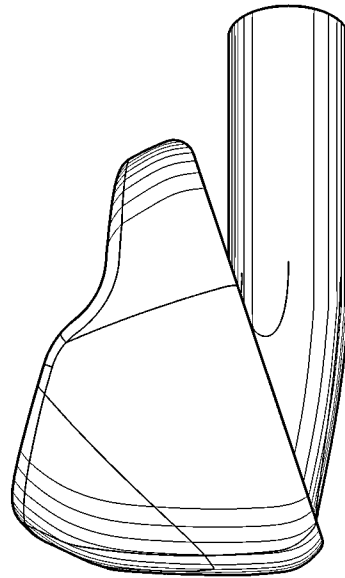


Fig. 7

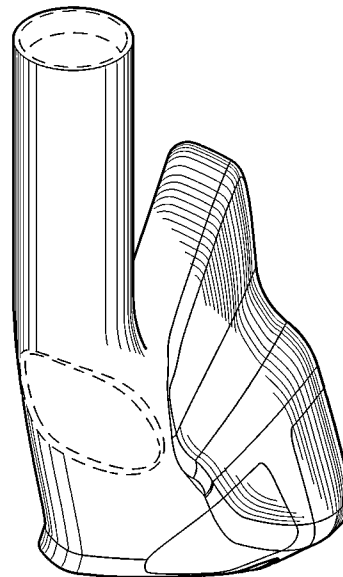


Fig. 8

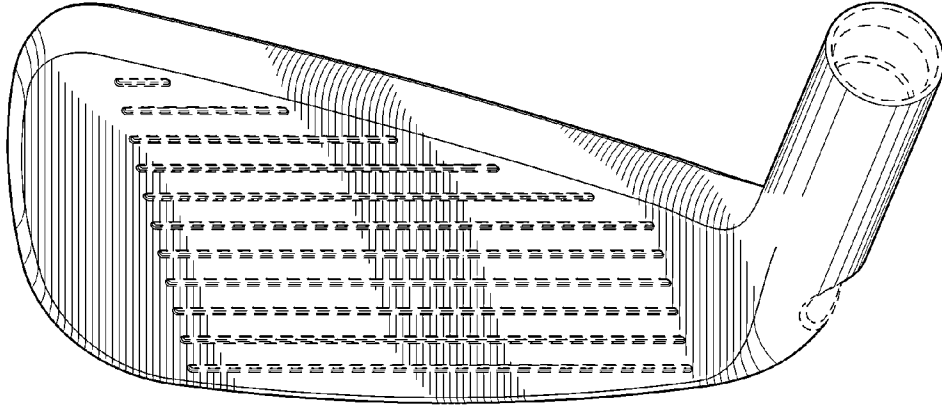


Fig. 9

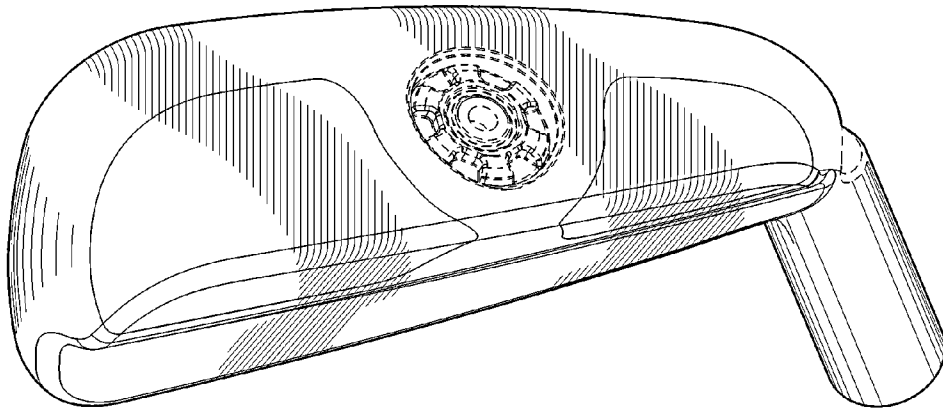


Fig. 10

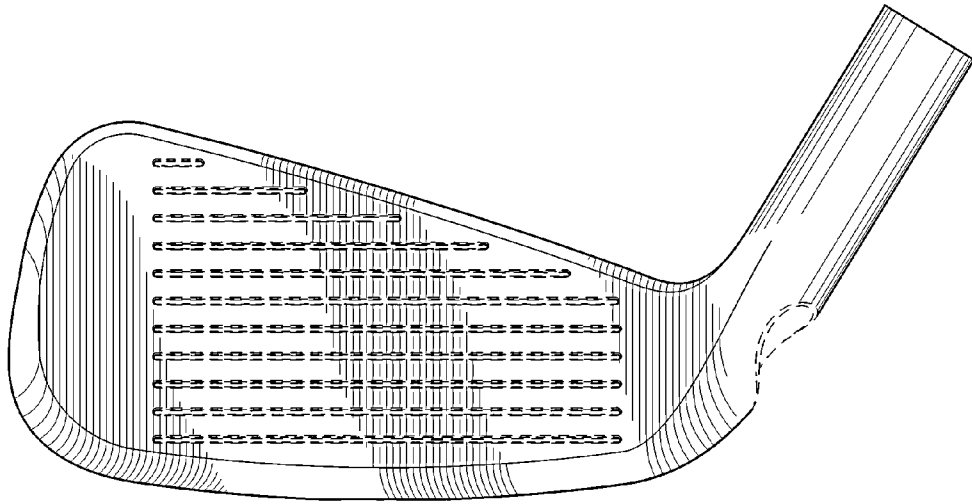


Fig. 11

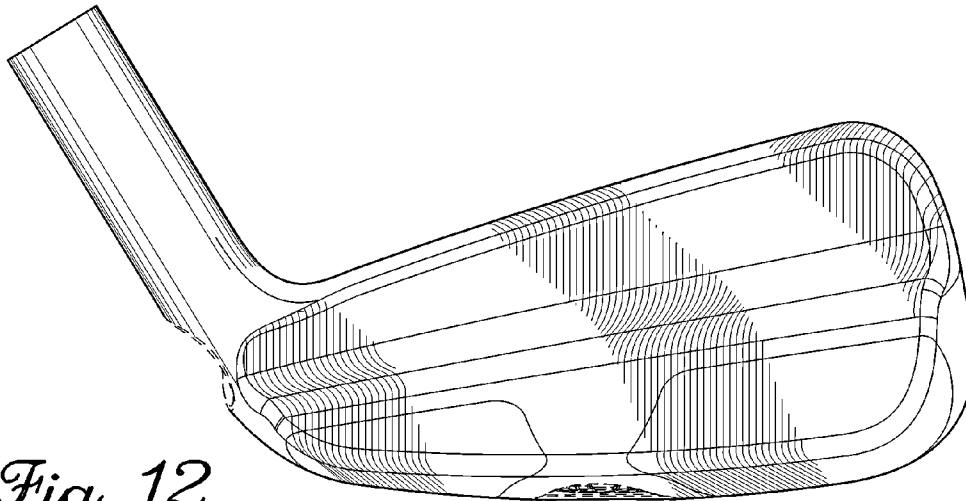


Fig. 12

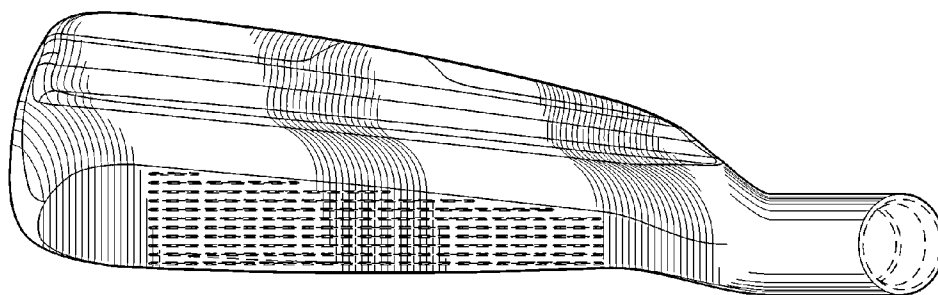


Fig. 13

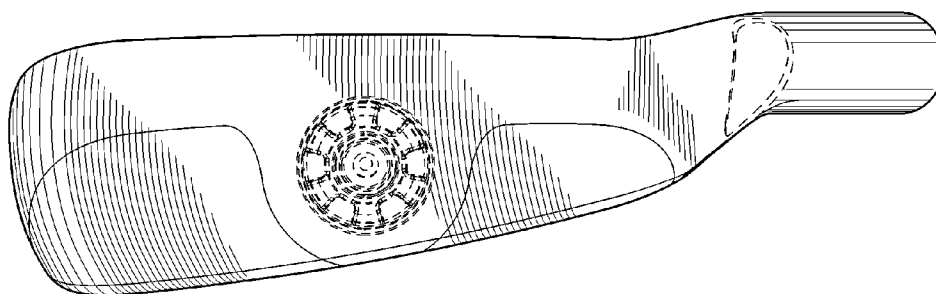


Fig. 14

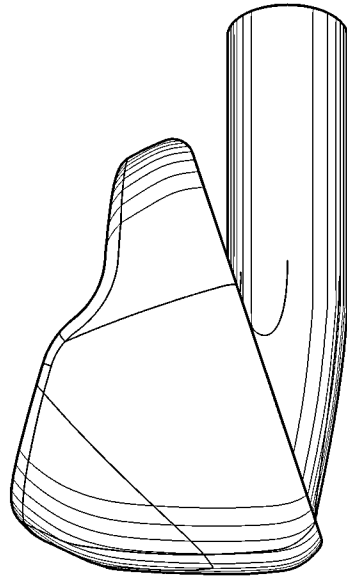


Fig. 15

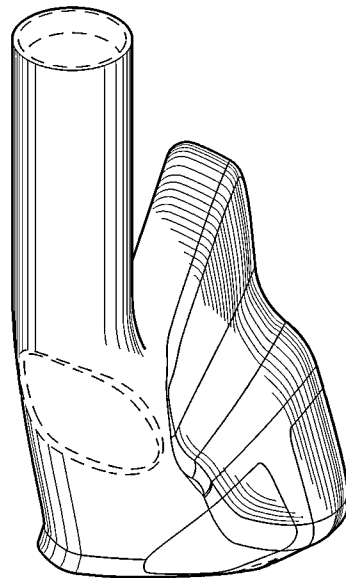


Fig. 16