



US00D873987S

(12) **United States Design Patent**
Biancuzzo

(10) **Patent No.:** **US D873,987 S**

(45) **Date of Patent:** **** Jan. 28, 2020**

(54) **CEILING FAN**

(71) Applicant: **AIR COOL INDUSTRIAL CO., LTD.**, Taichung (TW)

(72) Inventor: **Francisco Biancuzzo**, Davie, FL (US)

(73) Assignee: **AIR COOL INDUSTRIAL CO., LTD.**, Taichung (TW)

(**) Term: **15 Years**

(21) Appl. No.: **29/675,858**

(22) Filed: **Jan. 5, 2019**

(51) **LOC (12) Cl.** **23-04**

(52) **U.S. Cl.**
USPC **D23/377**

(58) **Field of Classification Search**
USPC D23/377, 370–376, 378–394, 411–414,
D23/499; D26/51, 59, 72, 79, 92, 124
CPC F04D 25/088; F04D 29/322; F04D 29/324;
F04D 29/388; F04D 29/601
See application file for complete search history.

(56) **References Cited**

U.S. PATENT DOCUMENTS

D547,436 S *	7/2007	Shurtleff	D23/411
D627,053 S *	11/2010	Pan	D23/411
D632,384 S *	2/2011	Pan	D23/411
D706,970 S *	6/2014	Wang	D26/59
D717,935 S *	11/2014	Strecker	D23/377
D771,794 S *	11/2016	Wang	D23/411

D771,795 S *	11/2016	Wang	D23/411
D772,393 S *	11/2016	Wang	D23/377
D795,411 S *	8/2017	Wang	D23/377
D802,114 S *	11/2017	Busta	D23/377
D804,646 S *	12/2017	Schulzman	D23/411
D831,187 S *	10/2018	Schulzman	D23/377
D833,593 S *	11/2018	Hidalgo	D23/377
D833,594 S *	11/2018	Wang	D23/377
D838,357 S *	1/2019	Haggar	D23/411
D858,735 S *	9/2019	Wang	D23/377
D860,429 S *	9/2019	Orozco	D23/377

* cited by examiner

Primary Examiner — Marie D. Fast Horse

(74) *Attorney, Agent, or Firm* — Pai Patent & Trademark Law Firm; Chao-Chang David Pai

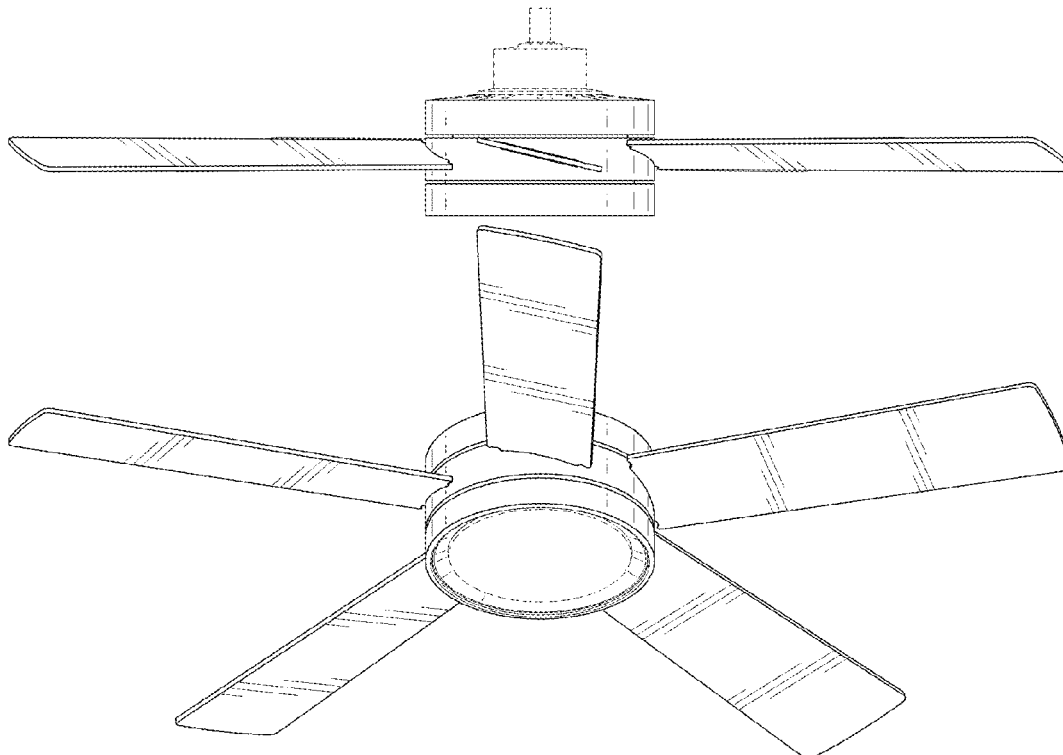
(57) **CLAIM**

The ornamental design for a ceiling fan, as shown and described.

DESCRIPTION

FIG. 1 is a front top perspective view of a ceiling fan showing my new design;
FIG. 2 is a front elevational view thereof;
FIG. 3 is a rear elevational view thereof;
FIG. 4 is a left side elevational view thereof;
FIG. 5 is a right side elevational view thereof;
FIG. 6 is a top plan view thereof;
FIG. 7 is a bottom plan view thereof; and,
FIG. 8 is a front bottom perspective view thereof.
The broken lines depict portions of the ceiling fan that form no part of the claimed design.

1 Claim, 6 Drawing Sheets



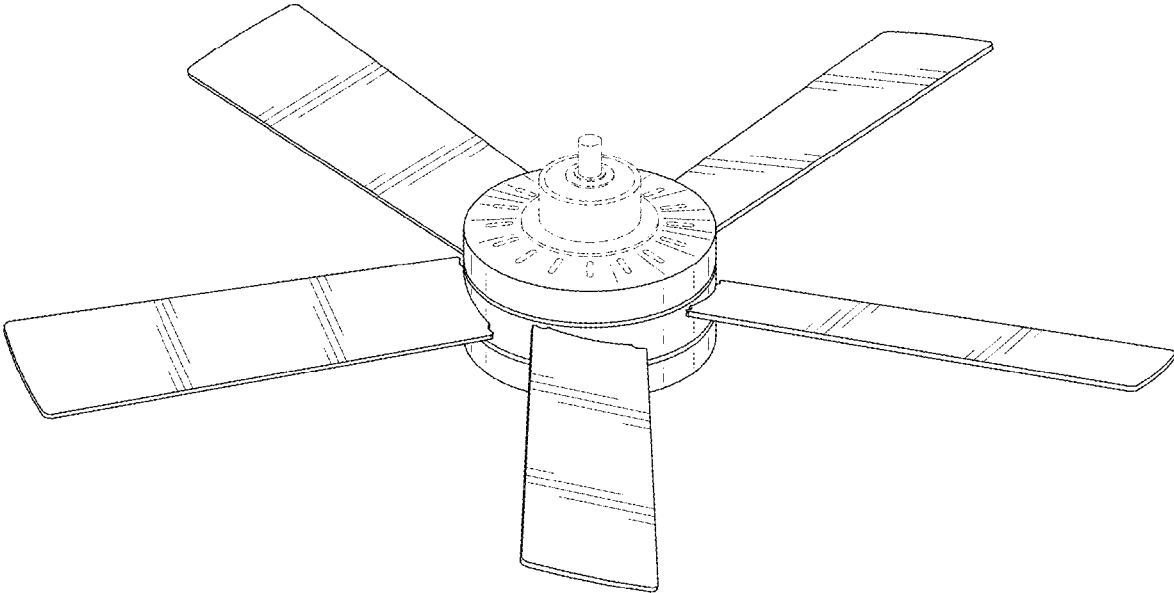


FIG. 1

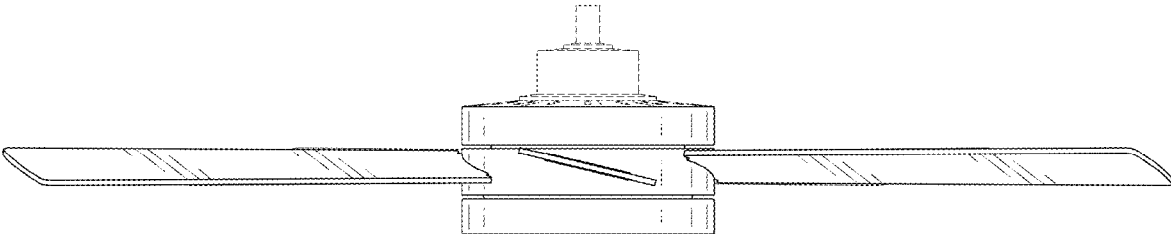


FIG. 2

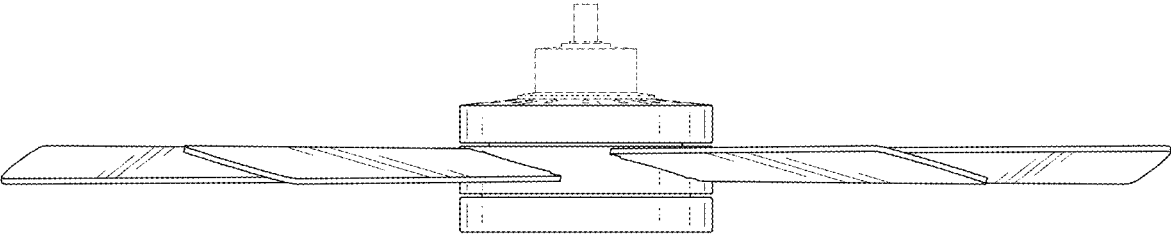


FIG. 3

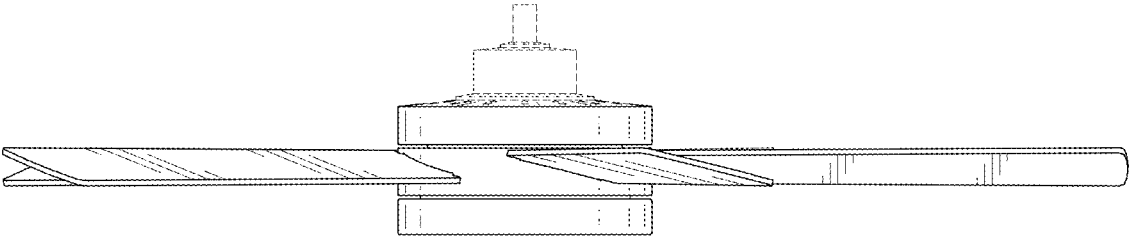


FIG. 4

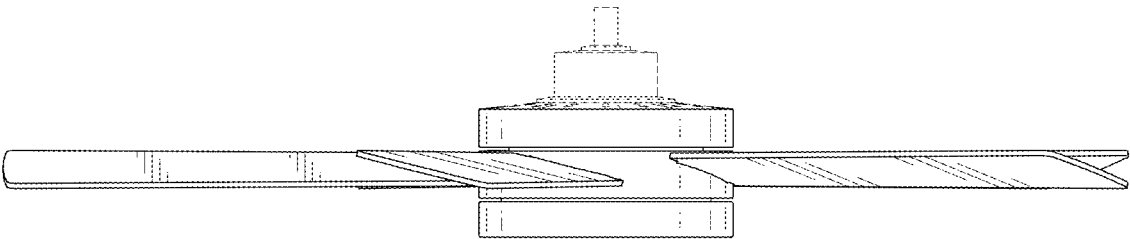


FIG. 5

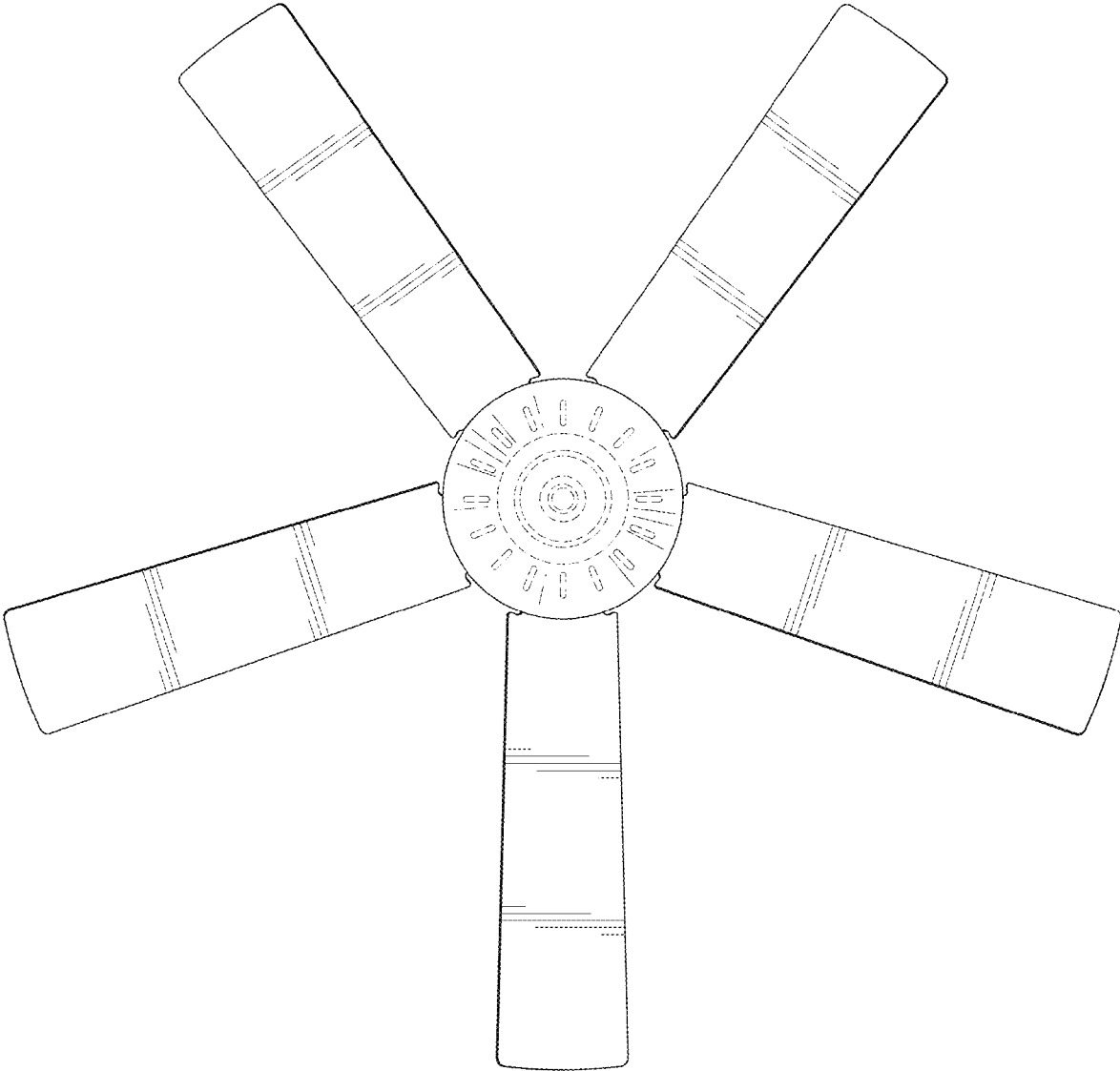


FIG. 6

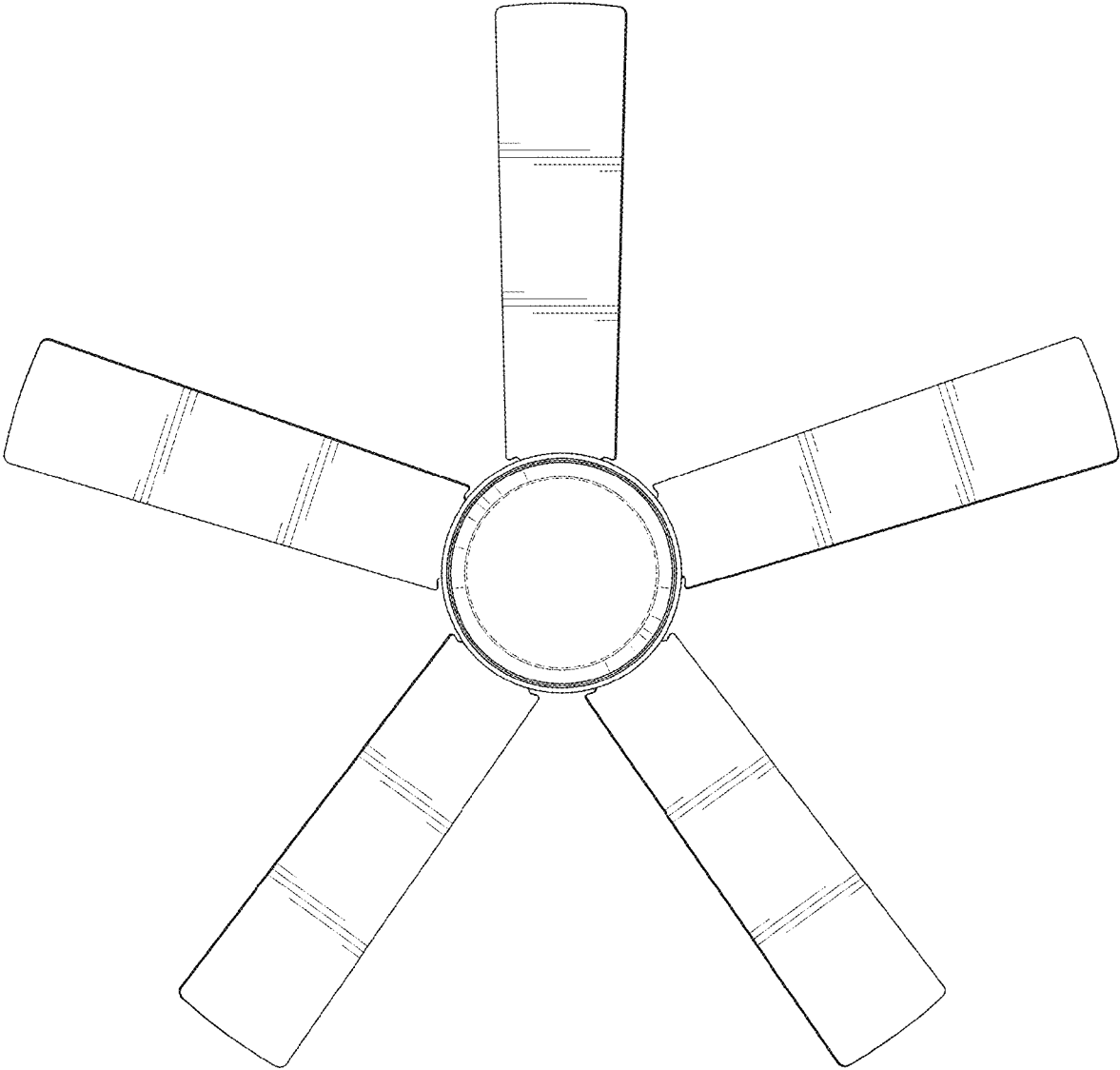


FIG. 7

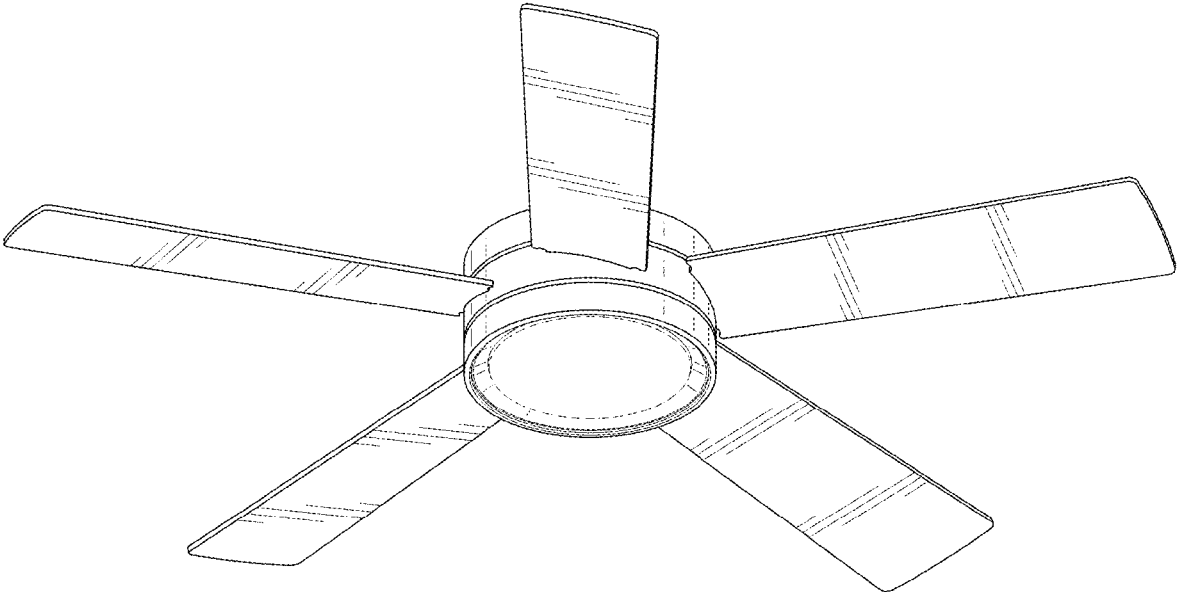


FIG. 8