



US00D801610S

(12) **United States Design Patent**
Nadin

(10) **Patent No.:** **US D801,610 S**

(45) **Date of Patent:** **** Oct. 31, 2017**

- (54) **PAINT CONTAINER**
- (71) Applicants: **Peter Nadin**, Gladesville, New South Wales (AU); **Laurel Nadin**, Gladesville, New South Wales (AU)
- (72) Inventor: **Peter Nadin**, Gladesville (AU)
- (73) Assignees: **Peter Nadin**, Gladesville, New South Wales (AU); **Laurel Nadin**, Gladesville, New South Wales (AU)

5,641,087 A *	6/1997	Moffitt	B44D 3/12	15/264
D415,864 S *	10/1999	Axhamre	D32/54	
6,138,963 A *	10/2000	Malvasio	B44D 3/12	220/555
6,199,718 B1 *	3/2001	Ellis	B44D 3/126	220/570
D444,278 S *	6/2001	Myers, Jr.	D32/54	
D477,702 S *	7/2003	Kohn	D32/53.1	
D546,514 S *	7/2007	Byrne	D32/53	
D785,888 S *	5/2017	Hernandez	D32/53.1	

* cited by examiner

(**) Term: **15 Years**

Primary Examiner — Robin V Webster

(21) Appl. No.: **29/585,857**

(74) *Attorney, Agent, or Firm* — Knobbe Martens Olson & Bear LLP

(22) Filed: **Nov. 29, 2016**

(51) **LOC (10) Cl.** **07-07**

(57) **CLAIM**

(52) **U.S. Cl.** **D32/53**

The ornamental design for a paint container, as shown and described.

(58) **Field of Classification Search**
USPC D32/53-54; 220/904, 659, 669, 752, 220/753; 15/260-264

DESCRIPTION

CPC B65D 1/42; B65D 25/32; B44D 3/128; B44D 3/126; B44D 3/12; B65F 1/14; A47L 13/58

FIG. 1 is a top perspective view of a paint container, showing my new design.

See application file for complete search history.

FIG. 2 is a front elevational view thereof. A rear elevational view is a mirror image of the front elevational view.

(56) **References Cited**

U.S. PATENT DOCUMENTS

3,280,418 A *	10/1966	Schonberger	A47L 13/58	15/261
D223,302 S *	4/1972	Golden et al.	206/557	
D236,075 S *	7/1975	Golden et al.	D32/53	
5,400,916 A *	3/1995	Weber	B44D 3/126	15/257.05

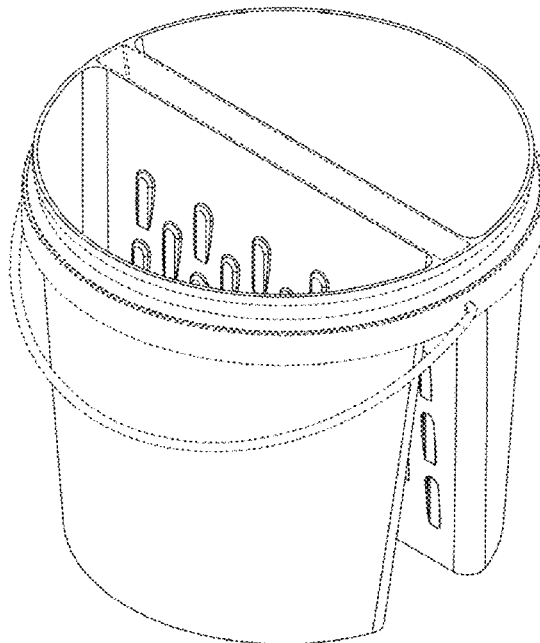
FIG. 3 is a top plan view thereof.

FIG. 4 is a left side elevational view thereof. A right side elevational view is identical to the left side elevational view; and,

FIG. 5 is bottom plan view thereof.

The broken lines in the views depict environmental features that form no part of the claimed design.

1 Claim, 3 Drawing Sheets



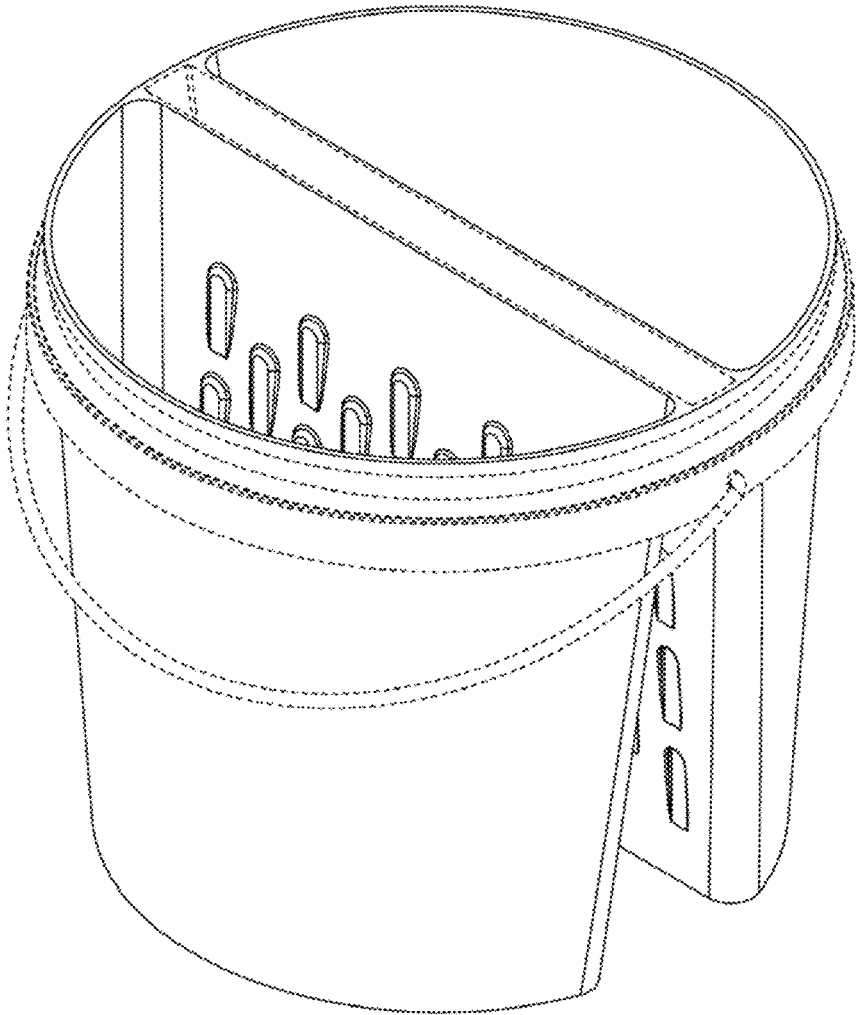


FIG. 1

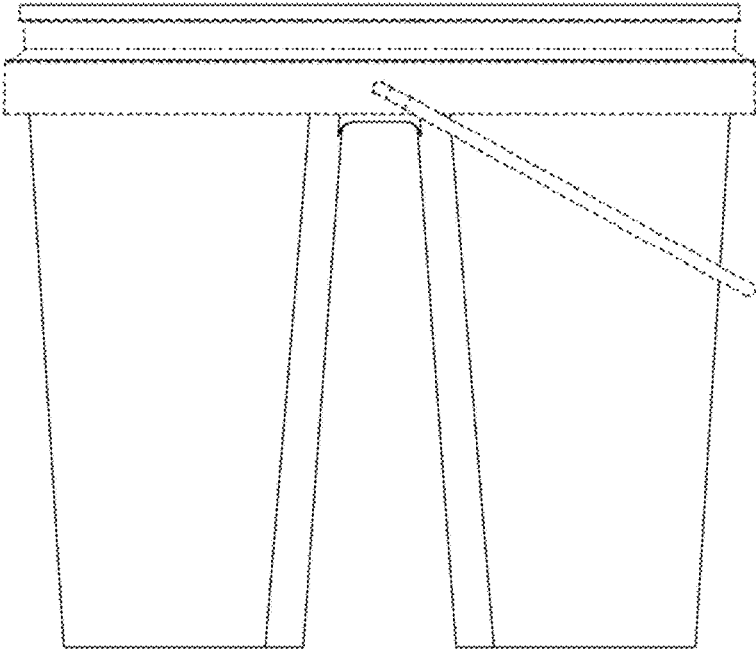


FIG. 2

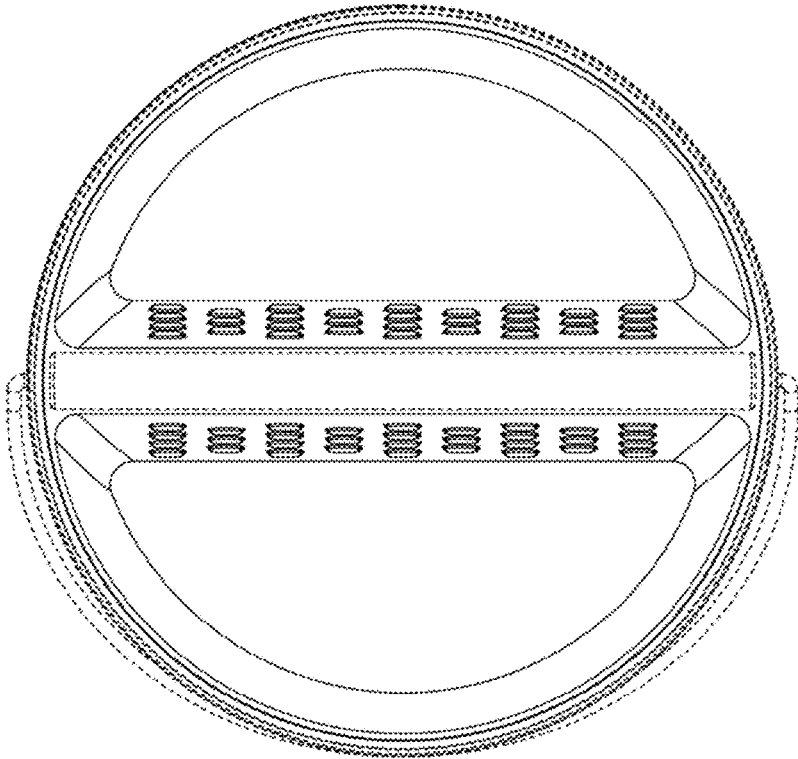


FIG. 3

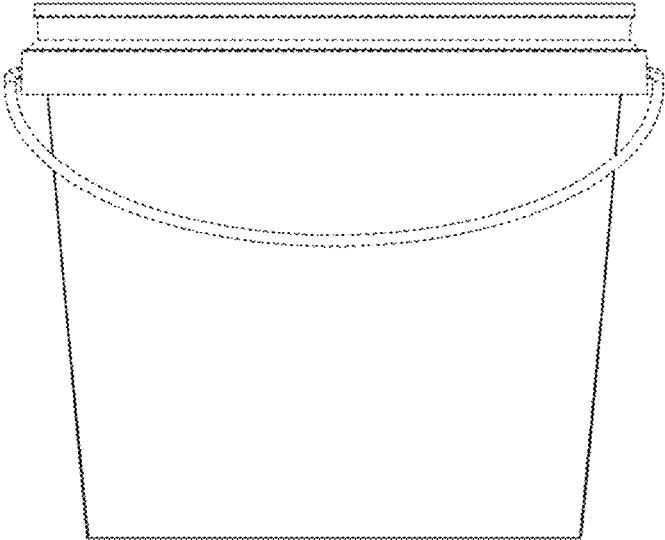


FIG. 4

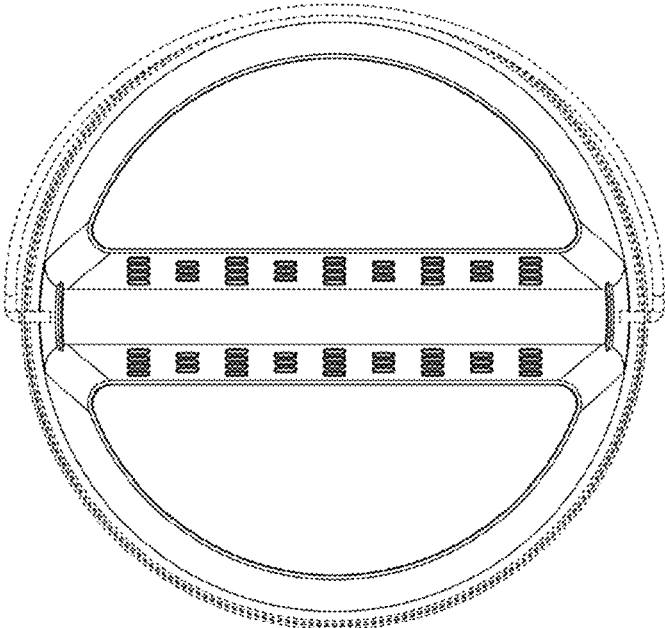


FIG. 5