



US00D771228S

(12) **United States Design Patent**  
**Heli**

(10) **Patent No.:** **US D771,228 S**

(45) **Date of Patent:** **\*\* Nov. 8, 2016**

- (54) **FAN**
- (71) Applicant: **Thomas Heli**, Langenburg (DE)
- (72) Inventor: **Thomas Heli**, Langenburg (DE)
- (73) Assignee: **EBM-PAPST MULFINGEN GMBH & CO. KG** (DE)
- (\*\*) Term: **14 Years**
- (21) Appl. No.: **29/495,333**
- (22) Filed: **Jun. 30, 2014**
- (30) **Foreign Application Priority Data**

D513,530 S *	1/2006	Chen	.....	D23/379
D594,104 S *	6/2009	Sturm	.....	D23/377
D594,105 S *	6/2009	Sturm	.....	D23/377
D594,106 S *	6/2009	Sturm	.....	D23/377
D594,107 S *	6/2009	Sturm	.....	D23/377
D595,401 S *	6/2009	Sturm	.....	D23/377
D599,457 S *	9/2009	Spaggiari	.....	D23/370
D599,471 S *	9/2009	Borovicka	.....	D23/412
D606,647 S *	12/2009	Sturm	.....	D23/377
8,167,564 B2 *	5/2012	Streng	.....	F04D 29/388 416/204 R
D684,249 S *	6/2013	Herbst	.....	D23/370
8,974,199 B2 *	3/2015	Schmid	.....	F04D 29/662 417/423.7
D728,090 S *	4/2015	Haaf	.....	D23/370
D733,861 S *	7/2015	Haaf	.....	D23/370
2004/0047734 A1 *	3/2004	Nilson	.....	F04D 29/384 416/189
2005/0095121 A1 *	5/2005	Vithani	.....	F04D 29/626 415/121.2
2005/0186077 A1 *	8/2005	Lee	.....	F04D 29/30 416/179
2008/0240917 A1 *	10/2008	Eleftheriou	.....	F01D 5/22 415/213.1
2010/0247316 A1 *	9/2010	Aynsley	.....	F04D 29/34 416/189
2011/0150632 A1 *	6/2011	Heli	.....	B01D 46/001 415/121.2
2011/0200438 A1 *	8/2011	Ruckert	.....	F04D 25/0613 416/180
2011/0293415 A1 *	12/2011	He	.....	F04B 35/06 415/220
2013/0004349 A1 *	1/2013	Haaf	.....	F04D 29/329 417/423.7
2013/0017073 A1 *	1/2013	Sauer	.....	F04D 29/646 415/182.1
2013/0022479 A1 *	1/2013	Haaf	.....	F04D 25/082 417/369
2014/0252898 A1 *	9/2014	Sauer	.....	H02J 7/00 310/88
2015/0219117 A1 *	8/2015	Heli	.....	F04D 29/4226 415/178
2015/0226224 A1 *	8/2015	De Filippis	.....	F04D 25/068 417/423.14

- Dec. 30, 2013 (DE) ..... 40 2013 101 299
- (51) **LOC (10) Cl.** ..... **23-04**
- (52) **U.S. Cl.**
- USPC ..... **D23/370**
- (58) **Field of Classification Search**
- USPC ..... D23/370-373, 376, 377, 379, 381-385,  
D23/388, 411-414, 324, 330, 332, 335,  
D23/353-355; D21/455, 458; 392/365, 367;  
415/1, 127, 179, 182.1, 223; 416/62,  
416/93 R, 100, 180, 182, 189, 190, 204 R,  
416/219 R, 220 R, 244 R, 246, 247 R, 223 R;  
D13/175, 179; 310/67 R; 417/369,  
417/423.7
- CPC .. F04D 29/325; F04D 29/326; F04D 29/329;  
F04D 29/384; F04D 29/386; F04D 29/281;  
F04D 29/282; F04D 29/28; F04D 29/663;  
F04D 29/646; F04D 29/701; F04D 29/703;  
F04D 29/526; F04D 29/547; F04D 25/08;  
F04D 25/068; F04D 25/082
- See application file for complete search history.

(56) **References Cited**

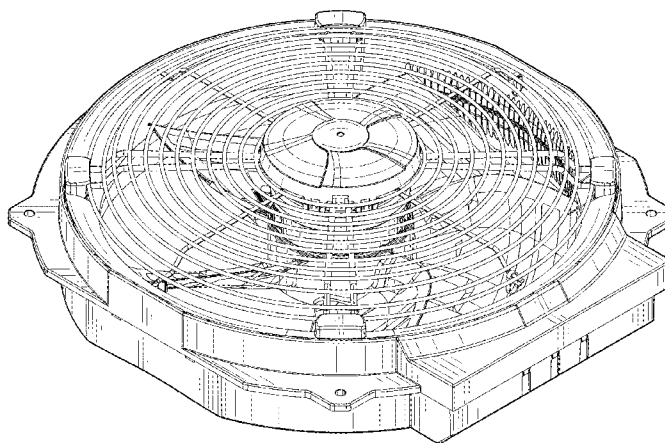
U.S. PATENT DOCUMENTS

2,697,163 A *	12/1954	Spear	.....	F04D 29/646 219/213
4,838,151 A *	6/1989	Shin-Chin	.....	F04D 25/12 454/200
D466,603 S *	12/2002	Pustelnik	.....	D23/370
6,637,186 B1 *	10/2003	Van Duyn	.....	F01D 11/12 415/9

\* cited by examiner

FOREIGN PATENT DOCUMENTS

DE	WO 2006136585 A1 *	12/2006	.....	F04D 25/0613
DE	102012109516 A1 *	4/2014	.....	F04D 29/646
DE	102012109518 A1 *	4/2014	.....	F04D 25/068



OTHER PUBLICATIONS

Papst Fans. (Design -© Questel). orbit.com [online PDF] 69 pages. Publish date ranges from: Jan. 3, 2014 to Feb. 18, 2015 [retrieved on Oct. 21, 2015]. Retrieved from Internet: <<http://sobjprd.questel.fr/export/QPTUJ214/pdf2/5ca76d12-c8ec-4eef-8bd2-f7fb5f327085-153343.pdf>>.\*

*Primary Examiner* — Susan Bennett Hattan

*Assistant Examiner* — Marie Fast Horse

(74) *Attorney, Agent, or Firm* — Tarolli, Sundheim, Covell & Tummino LLP

(57) **CLAIM**

I claim the ornamental design for a fan, as shown and described.

**DESCRIPTION**

FIG. 1 is a top perspective view of an embodiment of a fan comprising a new, original and ornamental design; FIG. 2 is a bottom perspective view of the fan shown in FIG. 1; FIG. 3 is a top plan view of the fan shown in FIG. 1; FIG. 4 is a bottom plan view of the fan shown in FIG. 2; FIG. 5 is a top side elevational view of the fan as viewed in FIG. 3;

FIG. 6 is a bottom side elevational view of the fan as viewed in FIG. 3;

FIG. 7 is a right side elevational view of the fan as viewed in FIG. 3;

FIG. 8 is a left side elevational view of the fan as viewed in FIG. 3;

FIG. 9 is a top perspective view of a shroud member shown separately from the fan of FIG. 1 for clarity of disclosure;

FIG. 10 is a bottom perspective view of the fan shroud shown in FIG. 9;

FIG. 11 is a top plan view of the shroud shown in FIG. 9; FIG. 12 is a bottom plan view of the shroud shown in FIG. 10;

FIG. 13 is a top side elevational view of the shroud as viewed in FIG. 11;

FIG. 14 is a bottom side elevational view of the shroud as viewed in FIG. 11;

FIG. 15 is a right side elevational view of the shroud as viewed in FIG. 11; and,

FIG. 16 is a left side elevational view of the shroud as viewed in FIG. 11.

The broken lines in the Figures depict parts of the fan that form no part of the claimed design.

**1 Claim, 12 Drawing Sheets**

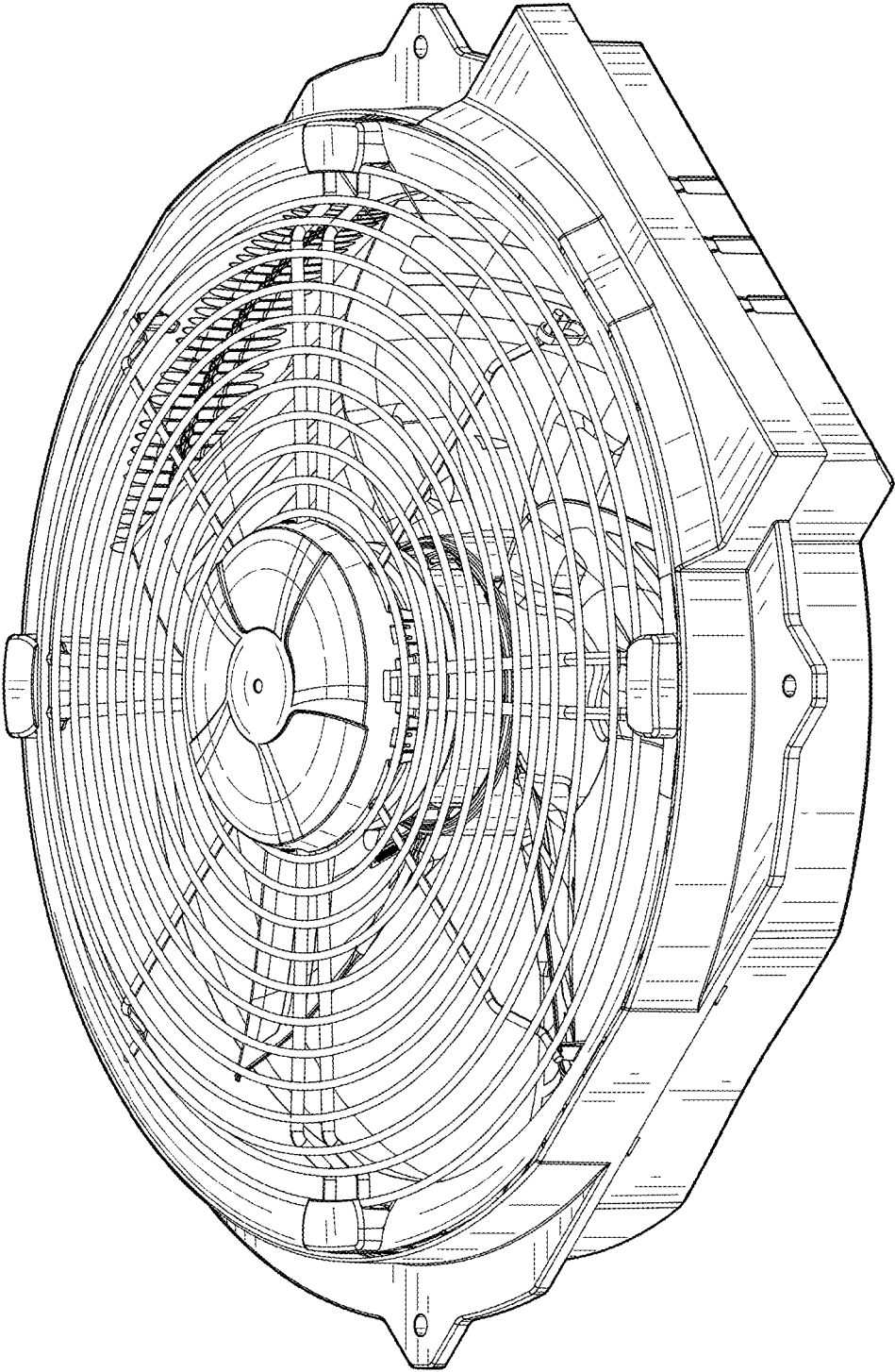


FIG. 1

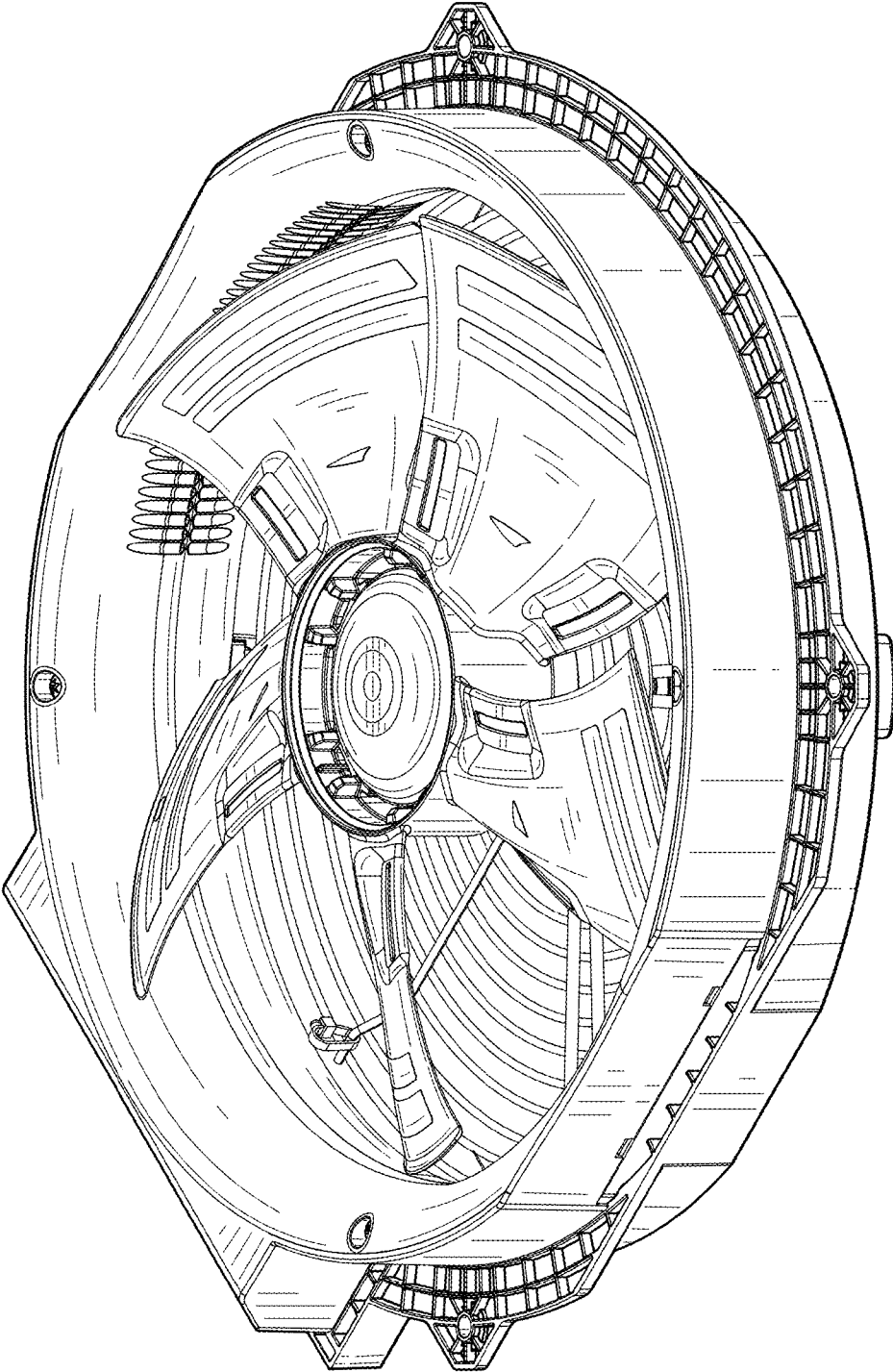


FIG. 2

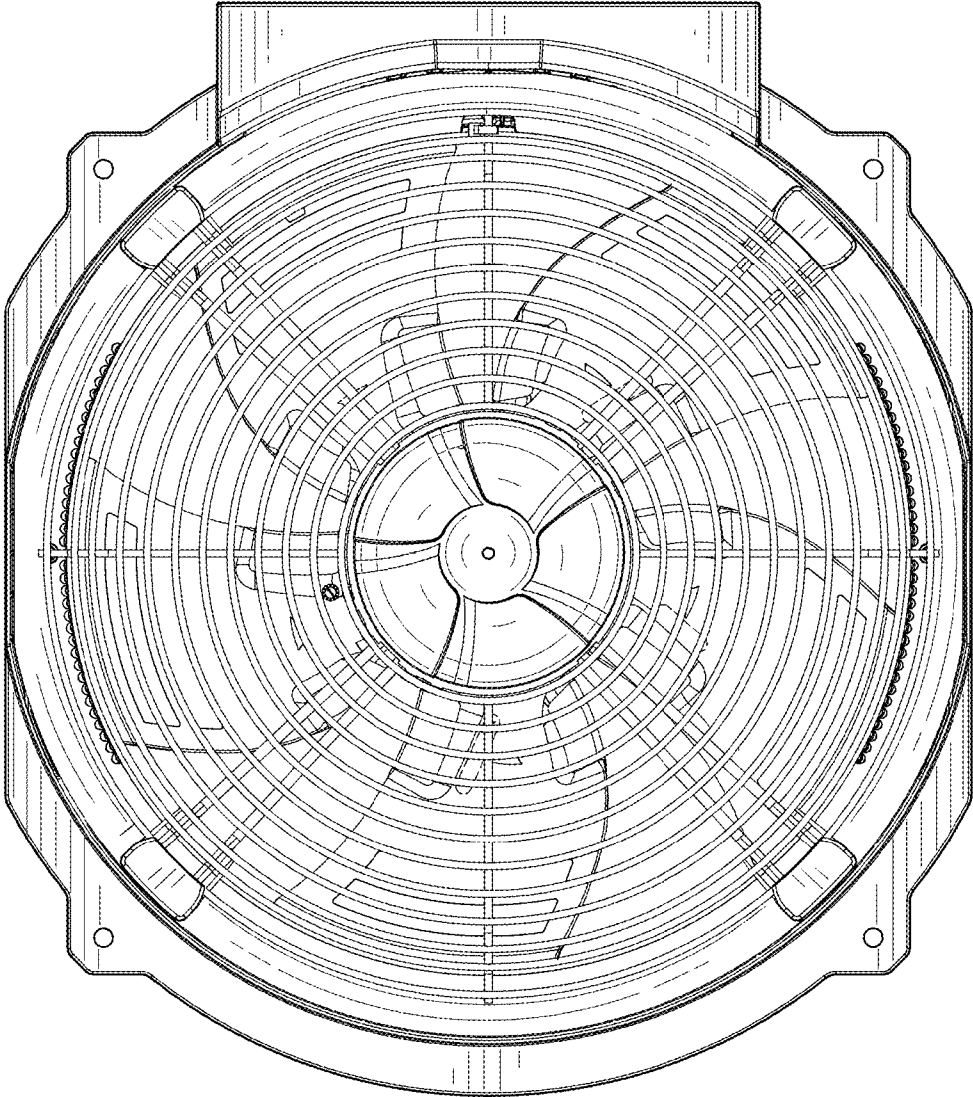


FIG. 3

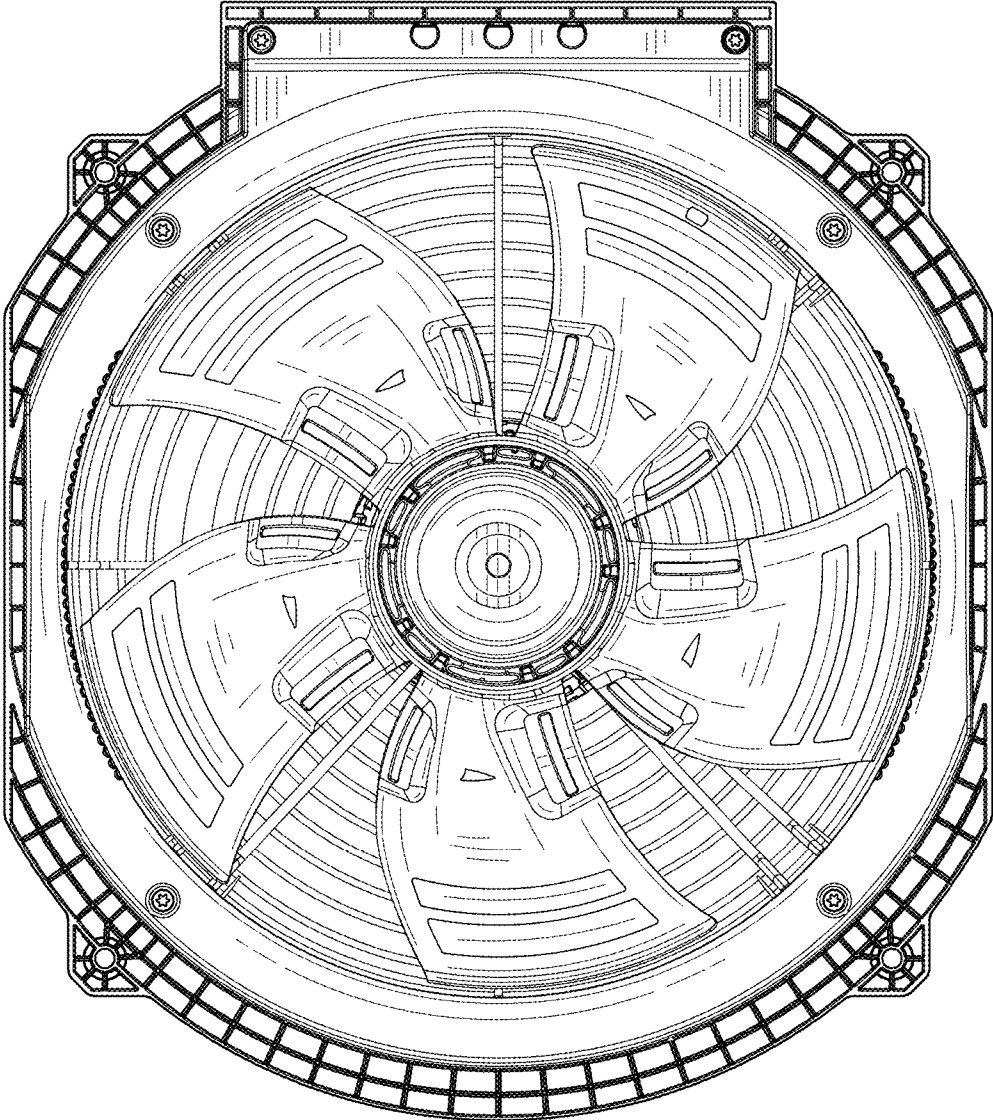


FIG. 4

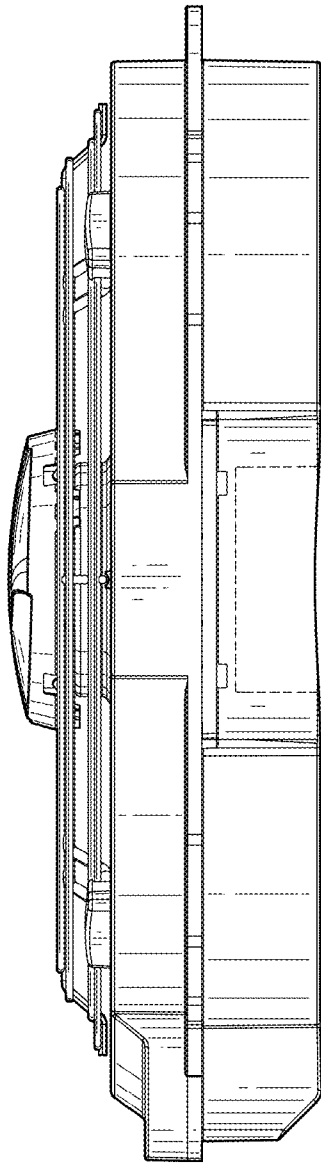


FIG. 5

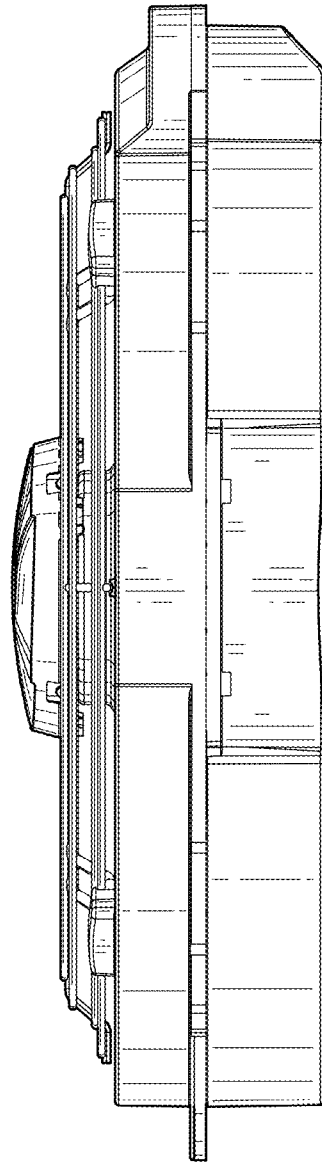


FIG. 6

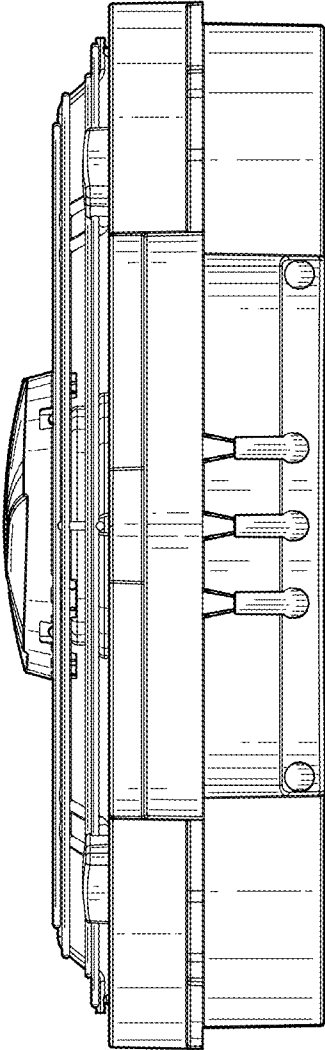


FIG. 7

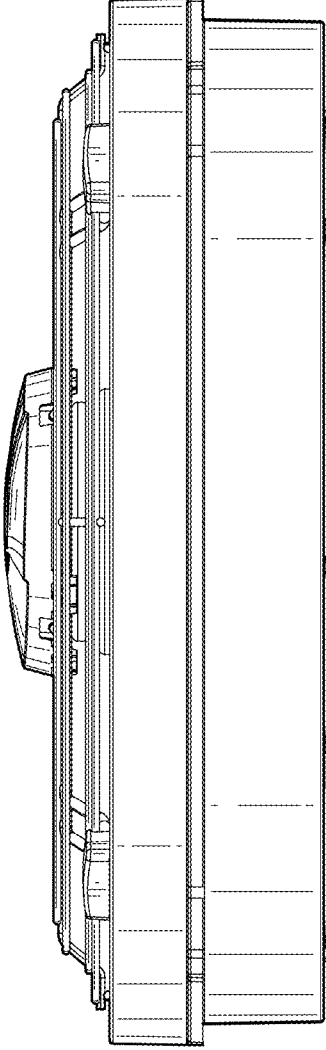


FIG. 8



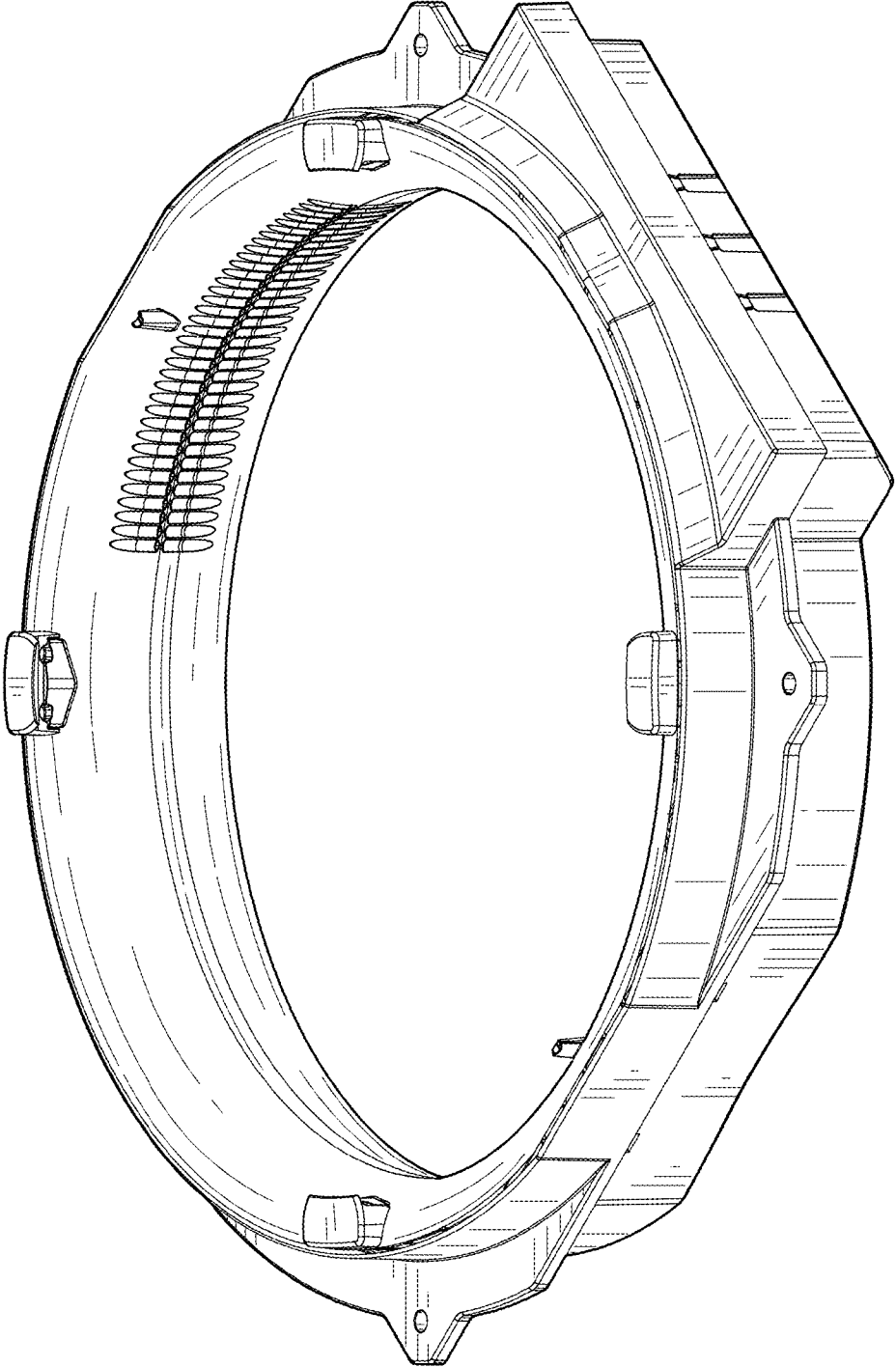


FIG. 9

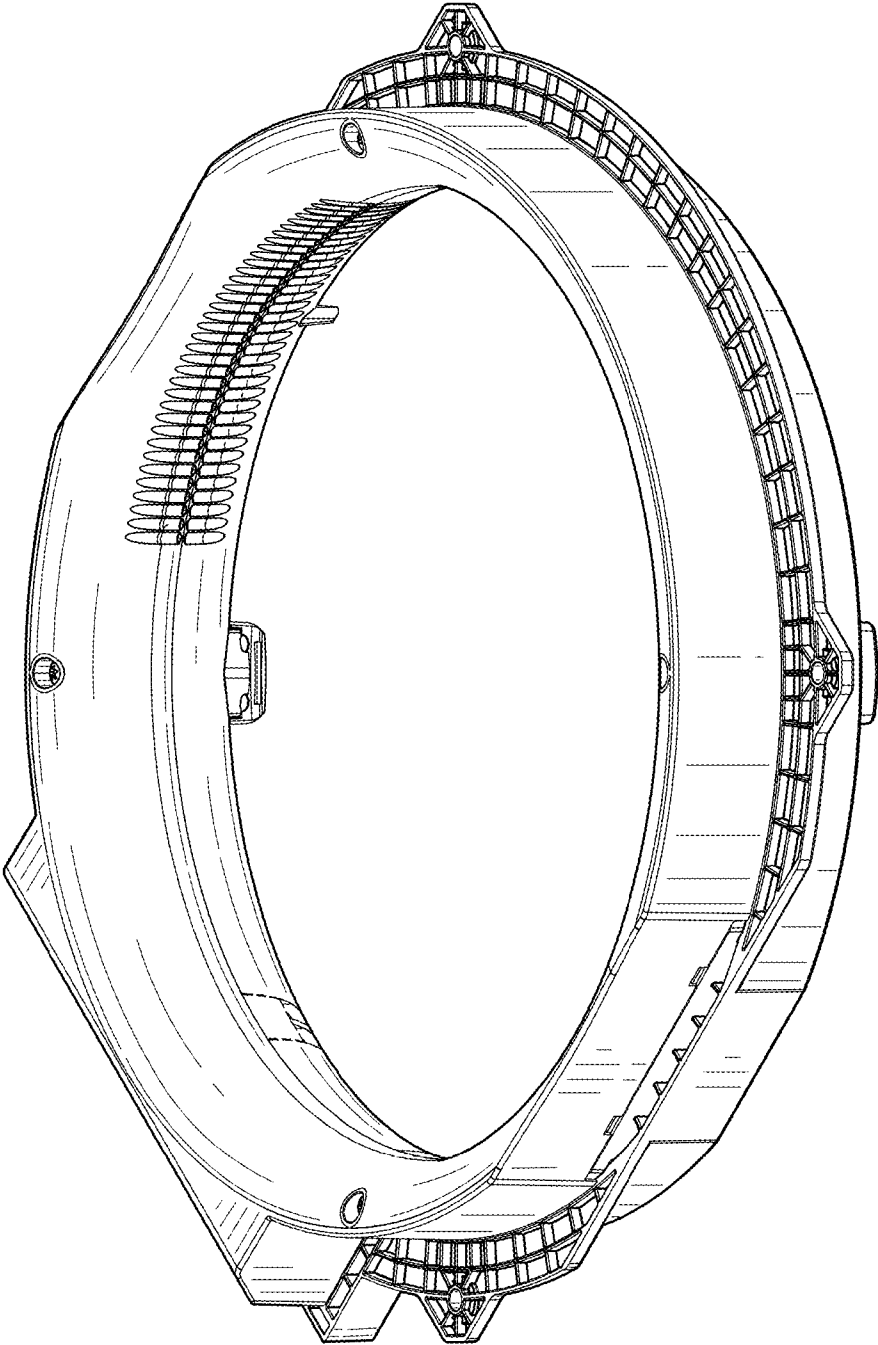


FIG. 10

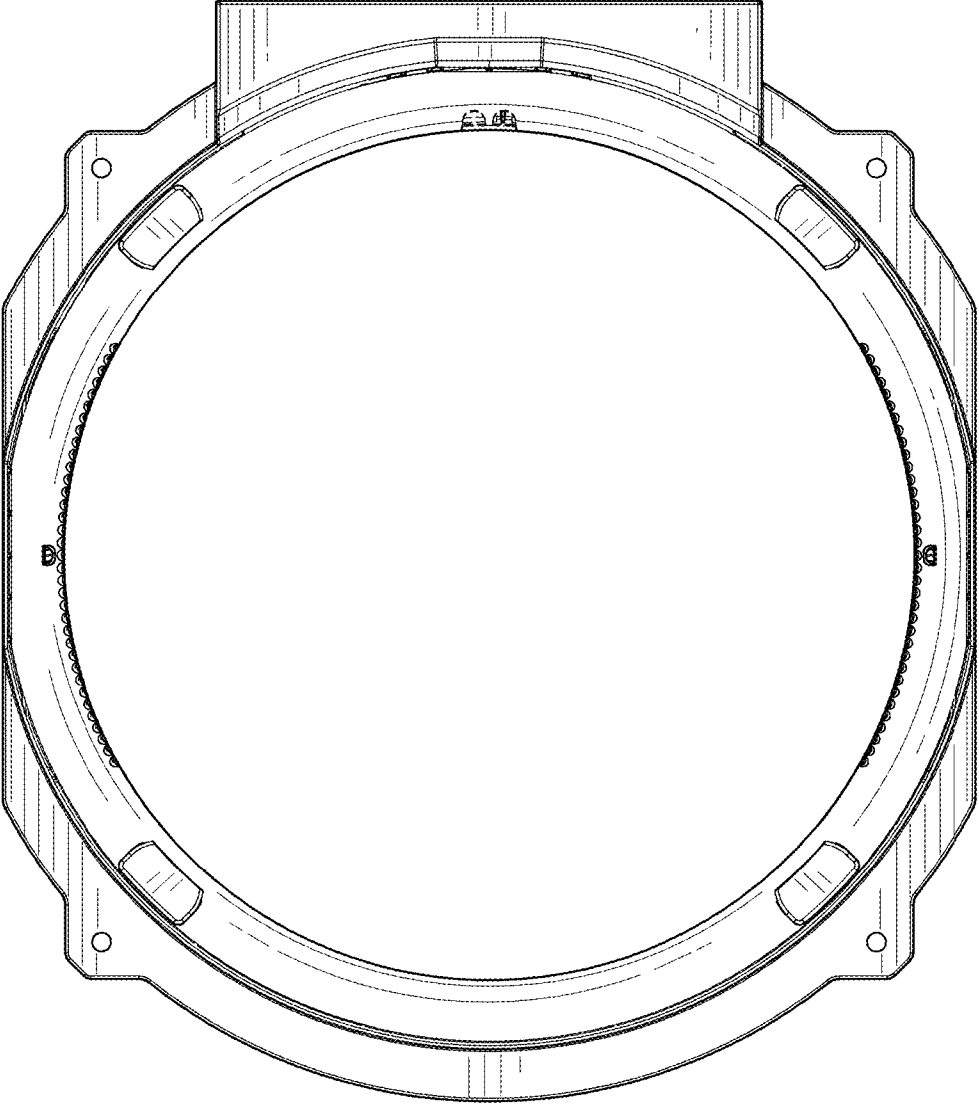


FIG. 11

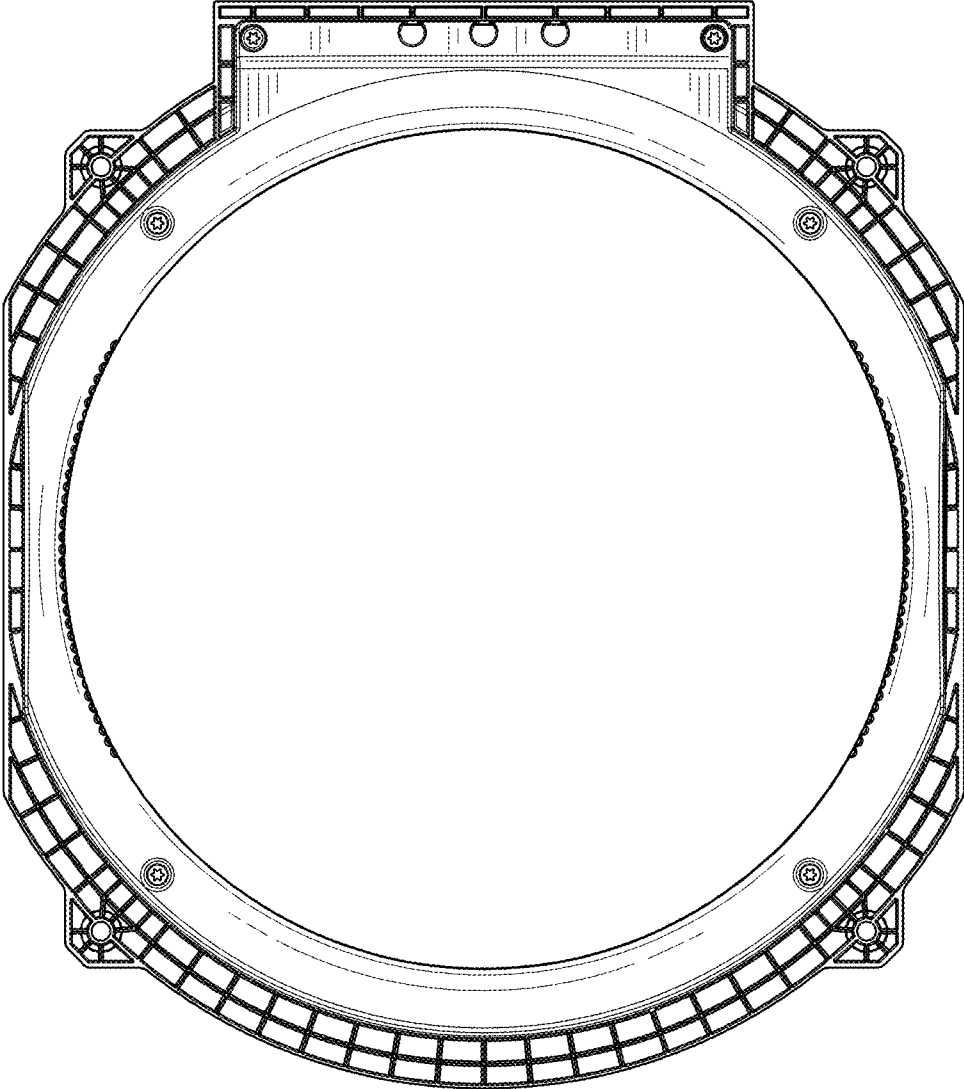


FIG. 12

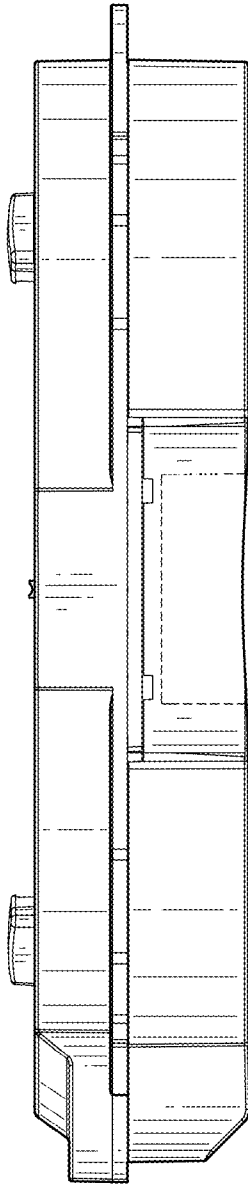


FIG. 13

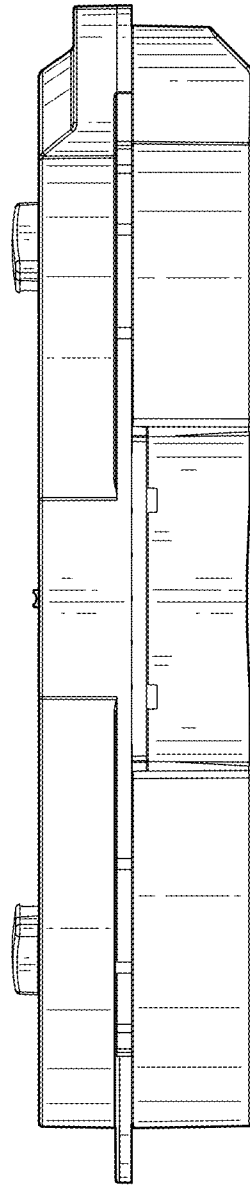


FIG. 14

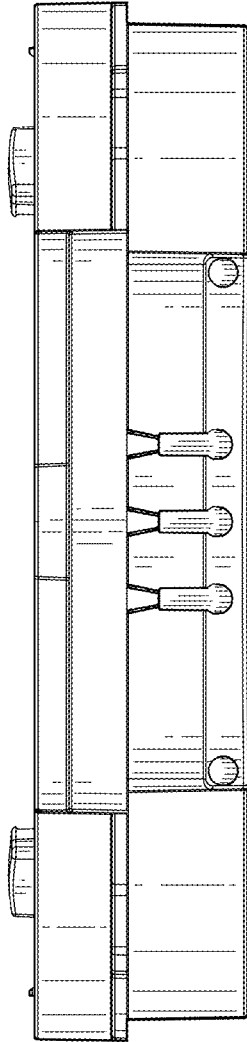


FIG. 15

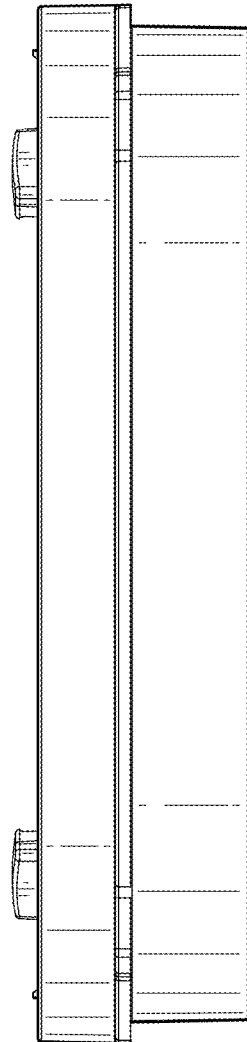


FIG. 16