



US00D873136S

(12) **United States Design Patent**
Sima et al.

(10) **Patent No.:** **US D873,136 S**

(45) **Date of Patent:** **** Jan. 21, 2020**

(54) **DISPOSABLE CUP LID**
(71) Applicant: **Jo Jo, LLC**, Centerville, OH (US)
(72) Inventors: **Amanda Sima**, Blacklick, OH (US);
Neil Sima, Blacklick, OH (US); **Mark Strachan**, Jupiter, FL (US)

5,363,983 A * 11/1994 Proshan B65D 47/06
220/380
D361,469 S * 8/1995 Young D7/392.1
D363,852 S * 11/1995 Young D7/900
(Continued)

(73) Assignee: **JO JO, LLC**, Centerville, OH (US)

FOREIGN PATENT DOCUMENTS
EM 006372397-0001 * 4/2019

(**) Term: **15 Years**

OTHER PUBLICATIONS

(21) Appl. No.: **29/665,956**

For the Mommas Real Savings Real Solutions, webpage—<https://forthemommas.com/?s=take+%26+Toss>, Jan. 13, 2016, 2 pages.

(22) Filed: **Oct. 9, 2018**

Primary Examiner — Michael A. Pratt
Assistant Examiner — Wendy L Arminio

(51) **LOC (12) Cl.** **09-07**

(52) **U.S. Cl.** **D9/447**

USPC **D9/447**

(74) *Attorney, Agent, or Firm* — Standley Law Group
LLP; Beverly A. Marsh; Adam J. Smith

(58) **Field of Classification Search**

USPC D9/414, 434–436, 438–440, 443–457,
D9/499, 503–505, 682, 685, 686;
D7/387, 391, 392, 392.1, 396.2–396.4,
D7/401.1, 507, 509–511, 538, 900;
D3/202, 203.2, 318; D28/91.1
CPC .. A61J 1/00; A61J 1/1412; B65D 1/00; B65D
1/02; B65D 1/10; B65D 1/46; B65D
5/46; B65D 41/00; B65D 41/38; B65D
41/56; B65D 41/62; B65D 47/00; B65D
47/06; B65D 47/08; B65D 2251/00;
B65D 2543/00046; B65D 2543/00092;
B65D 2543/00296; B65D 2585/56; B65D
2585/545

(57) **CLAIM**

The ornamental design for a disposable cup lid, as shown and described.

See application file for complete search history.

DESCRIPTION

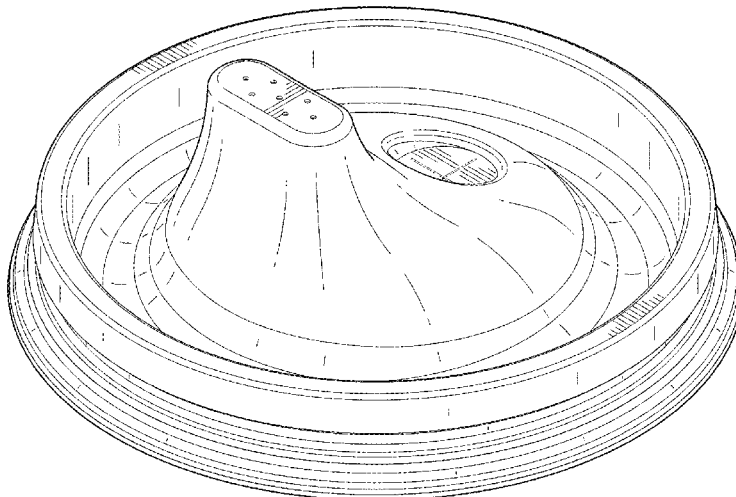
FIG. 1 is a front perspective view of the disposable cup lid of our design;
FIG. 2 is a front elevation view thereof;
FIG. 3 is a rear elevation view thereof;
FIG. 4 is a right-side elevation view thereof;
FIG. 5 is a left-side elevation view thereof;
FIG. 6 is a top plan view thereof;
FIG. 7 is a bottom plan view thereof;
FIG. 8 is a rear perspective view thereof shown in an environmental position of use on a cup drawn in broken lines; and,
FIG. 9 is a bottom perspective view of the disposable cup lid of FIG. 1.
The broken lines are for illustration only and form no part of the claimed design.

(56) **References Cited**

U.S. PATENT DOCUMENTS

4,243,156 A * 1/1981 Lobbstaal B65D 47/10
D9/447
D259,231 S * 5/1981 Kozlow, Sr. D7/392.1
D316,517 S * 4/1991 Coy D9/447
D322,222 S * 12/1991 Coy D9/447
5,253,781 A * 10/1993 Van Melle A47G 19/2272
220/380

1 Claim, 7 Drawing Sheets



(56)

References Cited

U.S. PATENT DOCUMENTS

D368,624	S *	4/1996	Ferrer	D9/447
D387,247	S *	12/1997	Randolph	D7/510
D407,269	S *	3/1999	Fletcher	D7/510
D419,029	S *	1/2000	Randolph	D7/392
D429,443	S *	8/2000	D'Alessio	D7/392.1
D434,944	S *	12/2000	Randolph	D7/510
D561,522	S *	2/2008	Gordon	D7/392
7,387,202	B2 *	6/2008	Beaty	A47G 19/00 206/217
7,556,172	B2 *	7/2009	Lane	A47G 19/2272 215/11.5
D630,510	S *	1/2011	Yacktman	D9/447
D631,348	S	1/2011	Weiss et al.		
D634,196	S *	3/2011	Giraud	D9/447
8,286,827	B2	10/2012	Yacktman		
D717,107	S *	11/2014	Dunn	D7/396.2
2003/0066839	A1 *	4/2003	Connors, Jr.	A47G 19/2272 220/713
2004/0000551	A1 *	1/2004	Flink	B65D 47/06 220/258.3
2004/0200849	A1 *	10/2004	Goeking	B65D 43/0212 220/713
2005/0269337	A1	12/2005	McGrath		
2007/0095846	A1	5/2007	Goecke et al.		
2008/0035653	A1 *	2/2008	Meli	B65D 43/0202 220/717
2008/0237247	A1	10/2008	Mucci et al.		
2008/0264960	A1 *	10/2008	Phillips	A47G 19/2266 220/719
2011/0266295	A1 *	11/2011	Yacktman	B65D 25/48 220/713
2011/0290817	A1	12/2011	Weiss et al.		

* cited by examiner

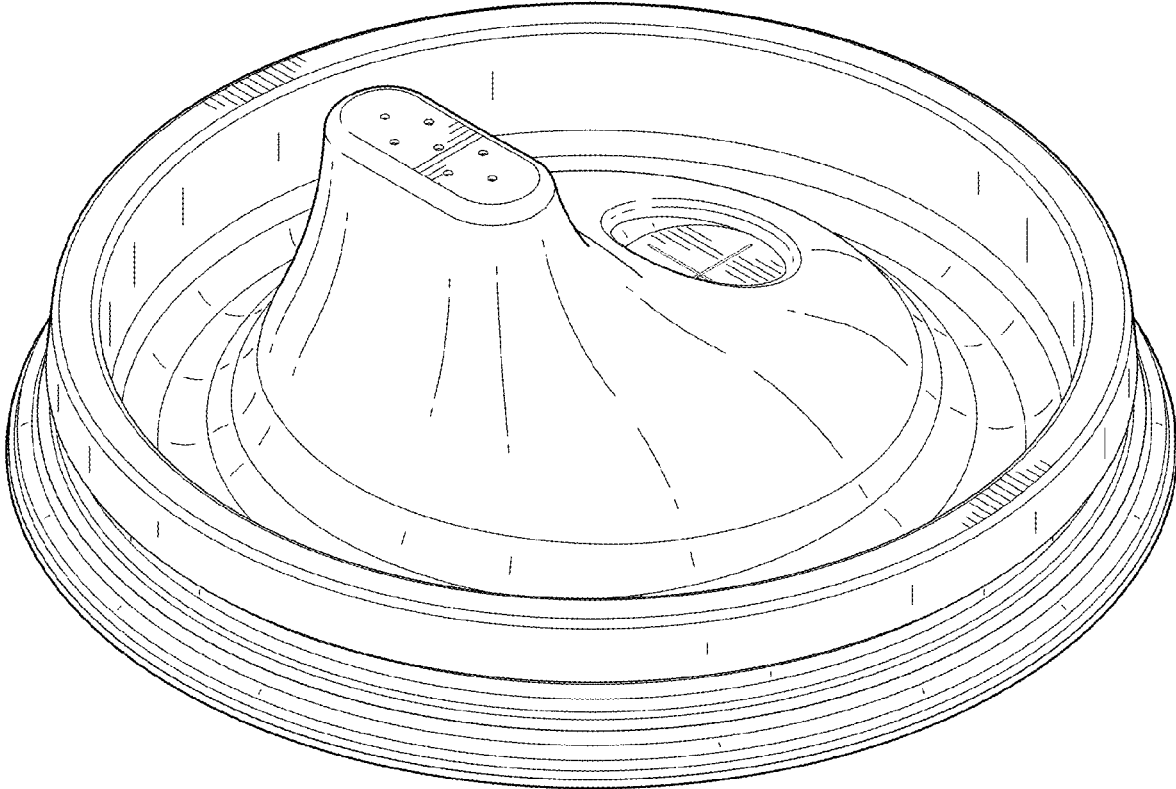


FIG. 1

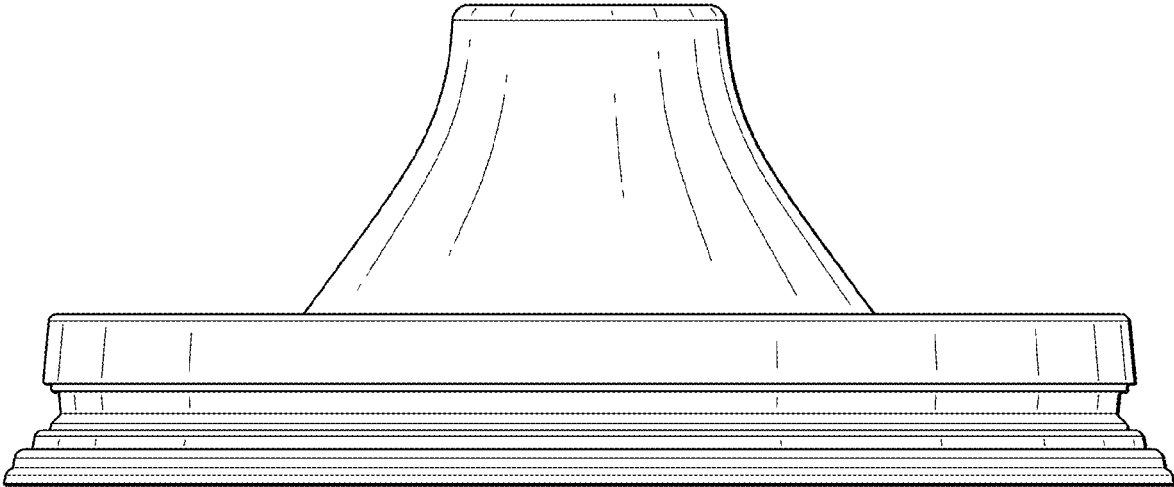


FIG. 2

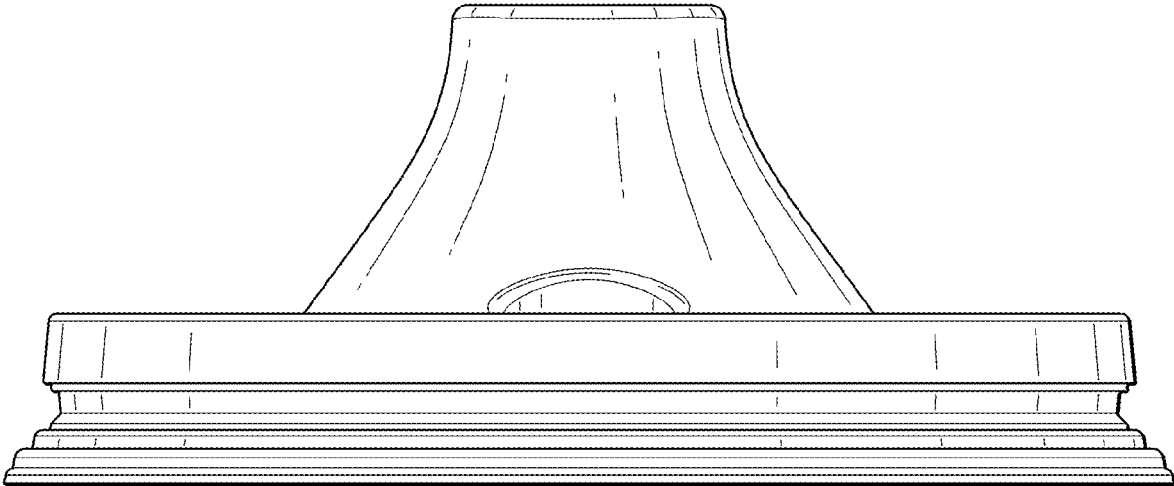


FIG. 3

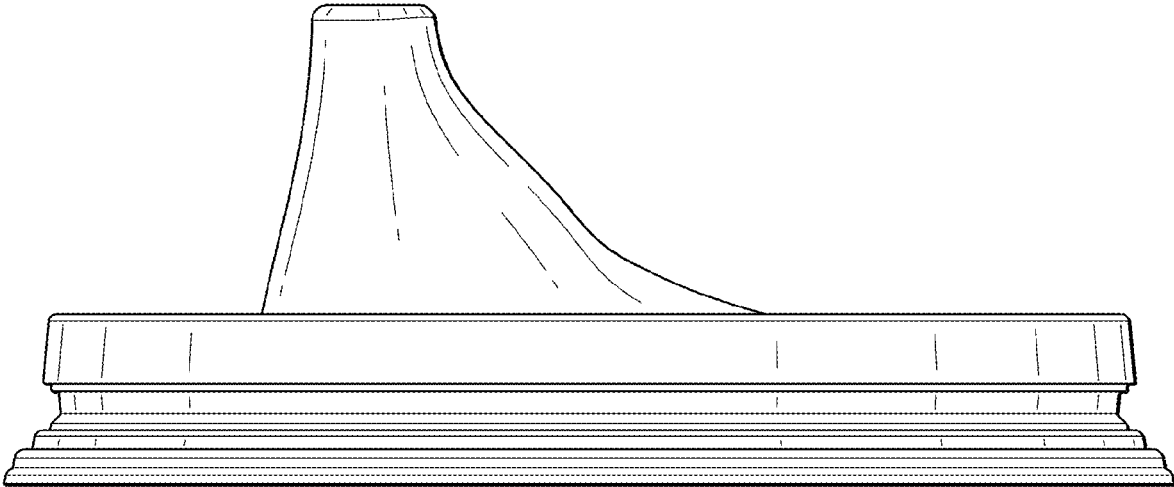


FIG. 4

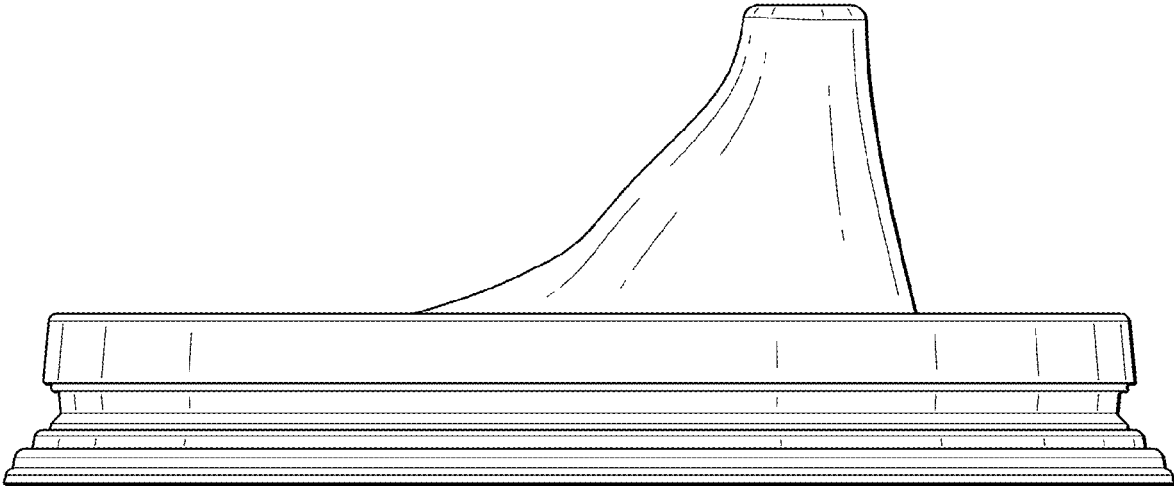


FIG. 5

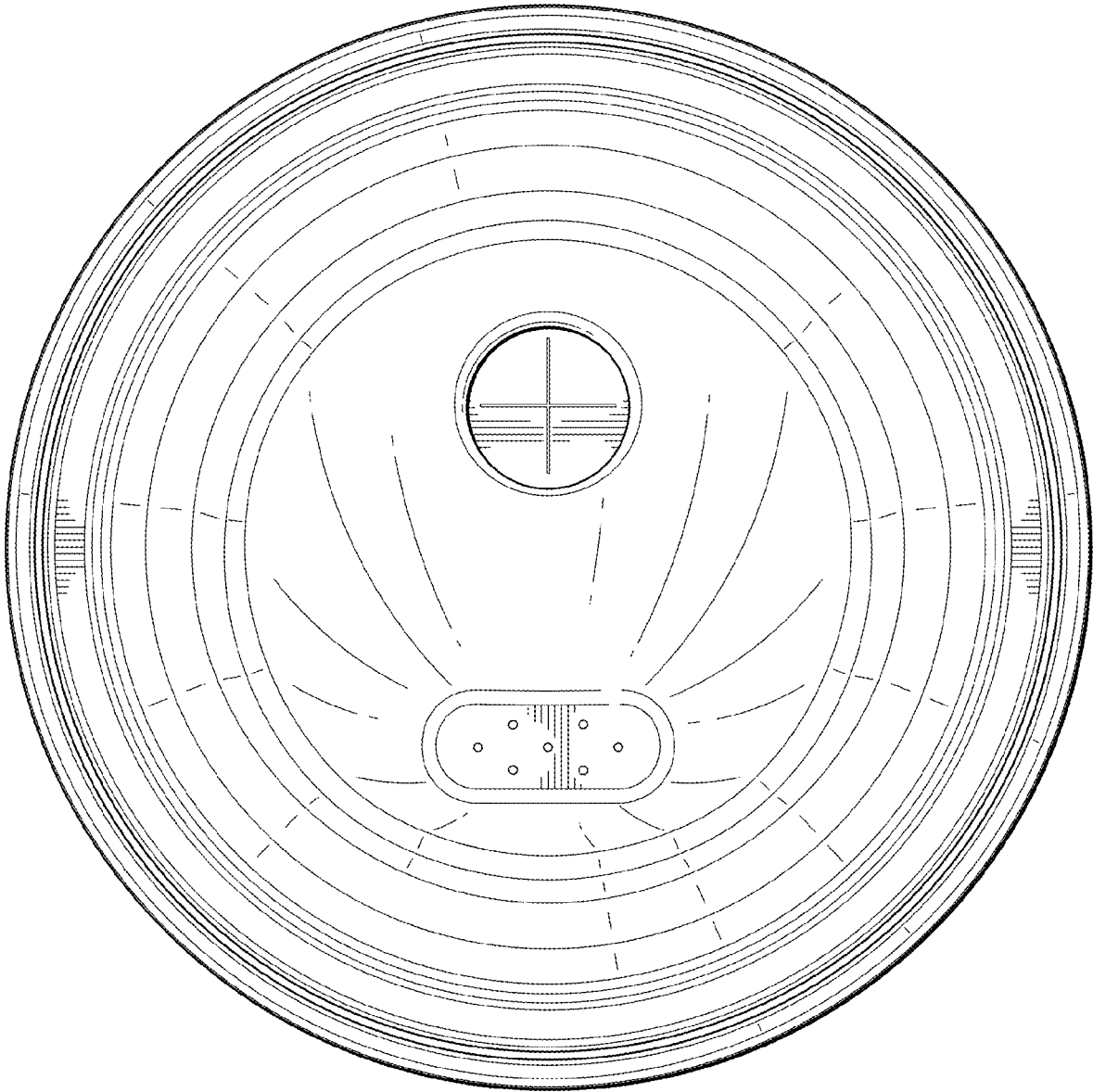


FIG. 6

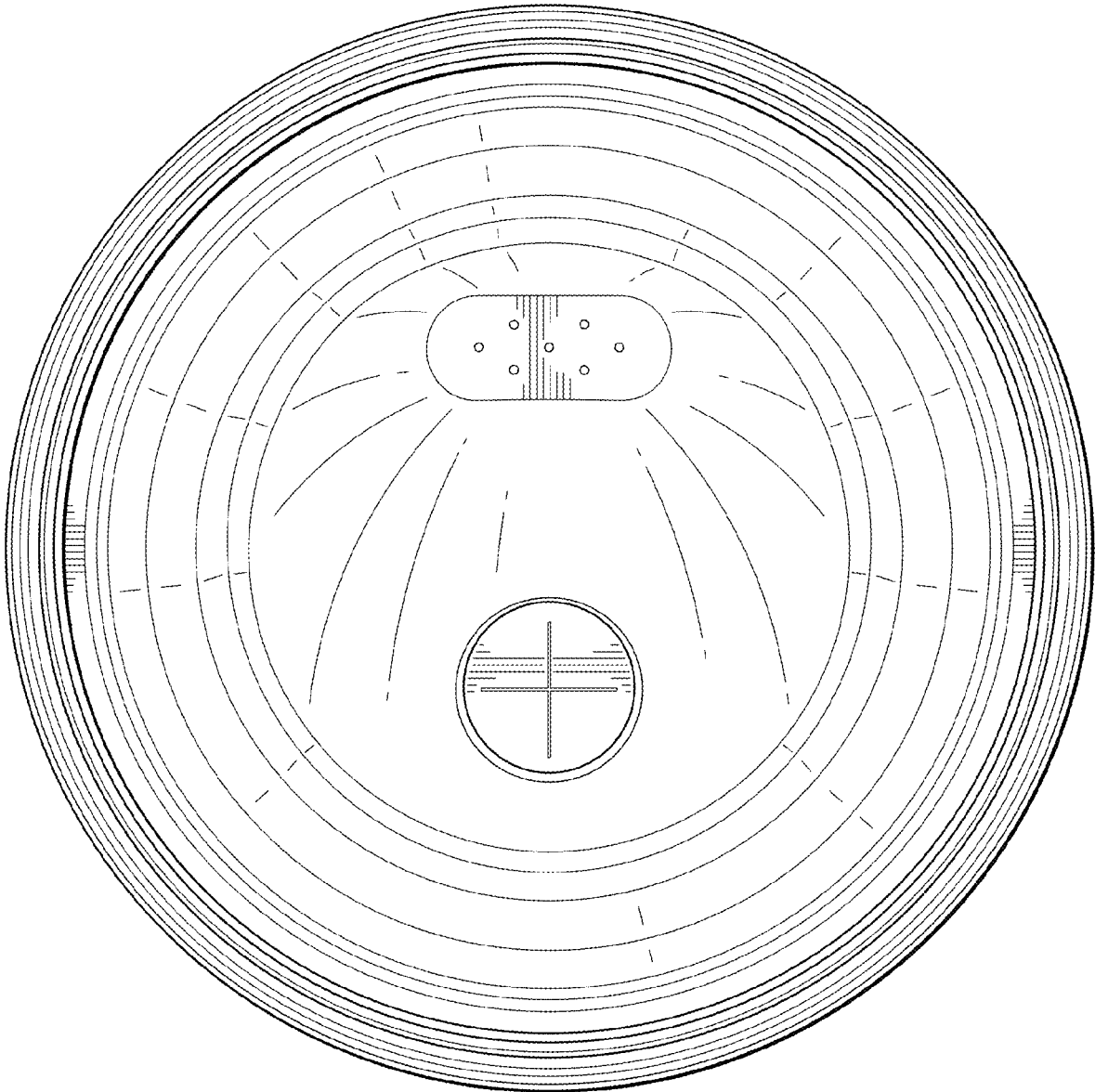


FIG. 7



FIG. 8

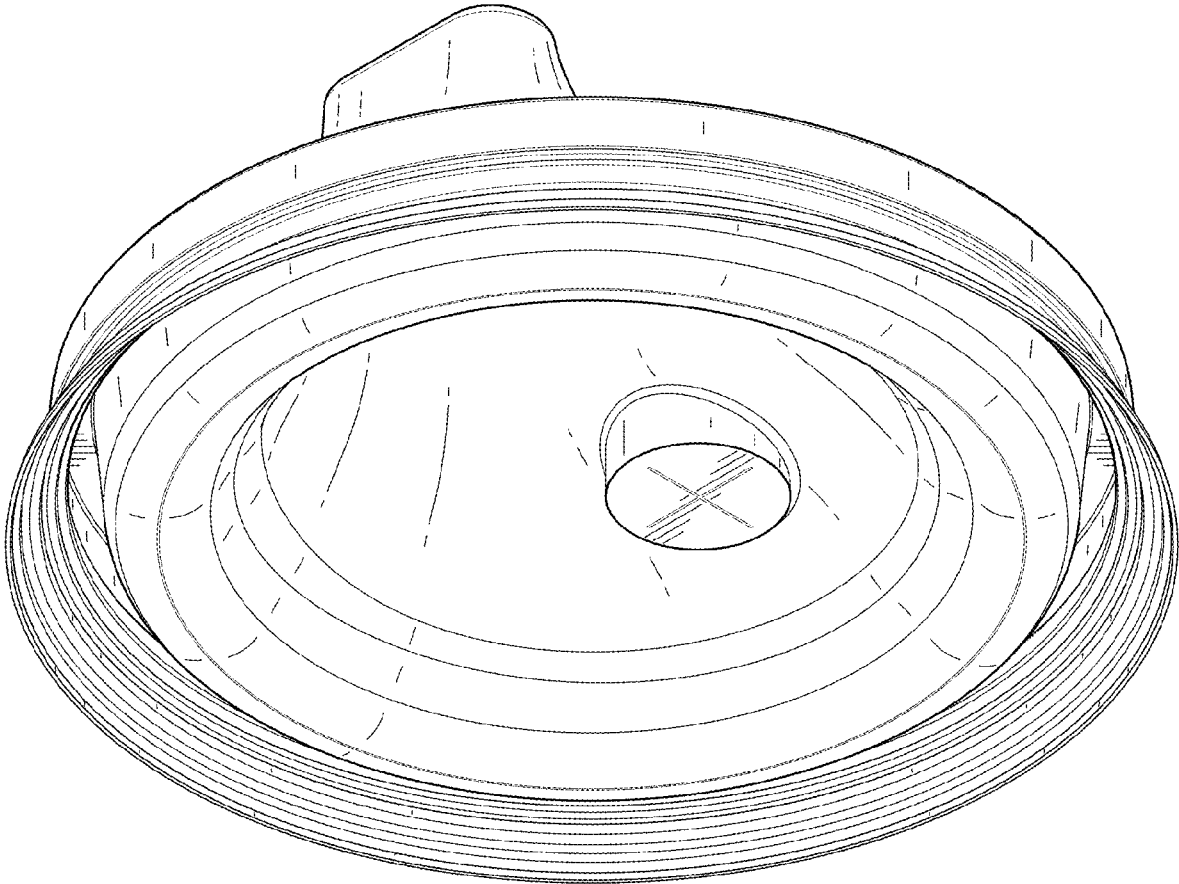


FIG. 9