



US00D798881S

(12) **United States Design Patent**
Tsai et al.

(10) **Patent No.:** **US D798,881 S**

(45) **Date of Patent:** **** Oct. 3, 2017**

(54) **PORTABLE STORAGE DEVICE**

(71) Applicant: **Silicon Power Computer & Communications, Inc.**, Taipei (TW)

(72) Inventors: **Hui-Jou Tsai**, Taipei (TW); **Wen-Te Shen**, Taipei (TW)

(73) Assignee: **Silicon Power Computer & Communications, Inc.**, Taipei (TW)

(**) Term: **15 Years**

(21) Appl. No.: **29/577,076**

(22) Filed: **Sep. 9, 2016**

(51) **LOC (10) Cl.** **14-03**

(52) **U.S. Cl.**
USPC **D14/480.3**

(58) **Field of Classification Search**
USPC D14/435.1, 480.1–480.7
CPC H05K 5/0278; G06K 19/07732
See application file for complete search history.

(56) **References Cited**

U.S. PATENT DOCUMENTS

D449,615	S	*	10/2001	Lloyd	D14/435.1
D463,426	S	*	9/2002	Cheng	D14/480.1
D520,996	S	*	5/2006	Deng	D14/480.5
D605,198	S	*	12/2009	Otsuka	D14/480.5
D642,585	S	*	8/2011	Lan	D14/480.5
D652,046	S	*	1/2012	Belan	D14/480.6
D667,832	S	*	9/2012	Zhou	D14/480.6

D669,899	S	*	10/2012	Cheng	D14/435.1
D682,841	S	*	5/2013	Suetake	D14/480.1
D707,690	S	*	6/2014	Billington	D14/480.7
D711,389	S	*	8/2014	Sun	D14/480.5
D717,309	S	*	11/2014	Govindarajan	D14/480.6
D729,277	S	*	5/2015	Uchida	D14/435.1

* cited by examiner

Primary Examiner — Angela J Lee

(74) *Attorney, Agent, or Firm* — LeClairRyan

(57) **CLAIM**

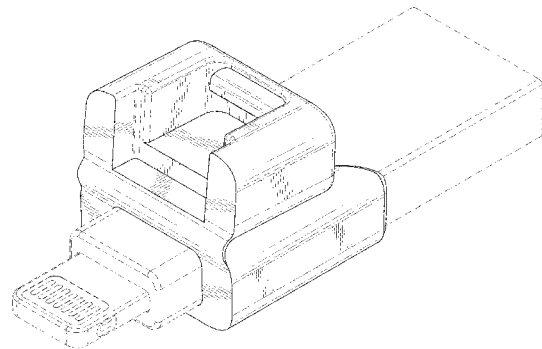
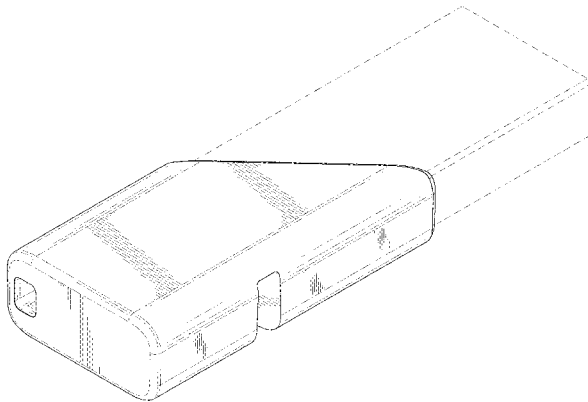
The ornamental design for a portable storage device, as shown and described.

DESCRIPTION

FIG. 1 is a front-left-bottom perspective view of a portable storage device showing our new design; FIG. 2 is a front elevational view thereof; FIG. 3 is a rear elevational view thereof; FIG. 4 is a left side elevational view thereof; FIG. 5 is a right side elevational view thereof; FIG. 6 is a top plan view thereof; FIG. 7 is a bottom plan view thereof; FIG. 8 is a front-top-right perspective view thereof; FIG. 9 is a rear-top-right perspective view thereof; and, FIG. 10 is another front-left-bottom perspective view thereof, illustrating a cap portion of the portable storage device is in a bending state.

The broken lines depict portions of a portable storage device in which the design is embodied that form no part of the claimed design.

1 Claim, 9 Drawing Sheets



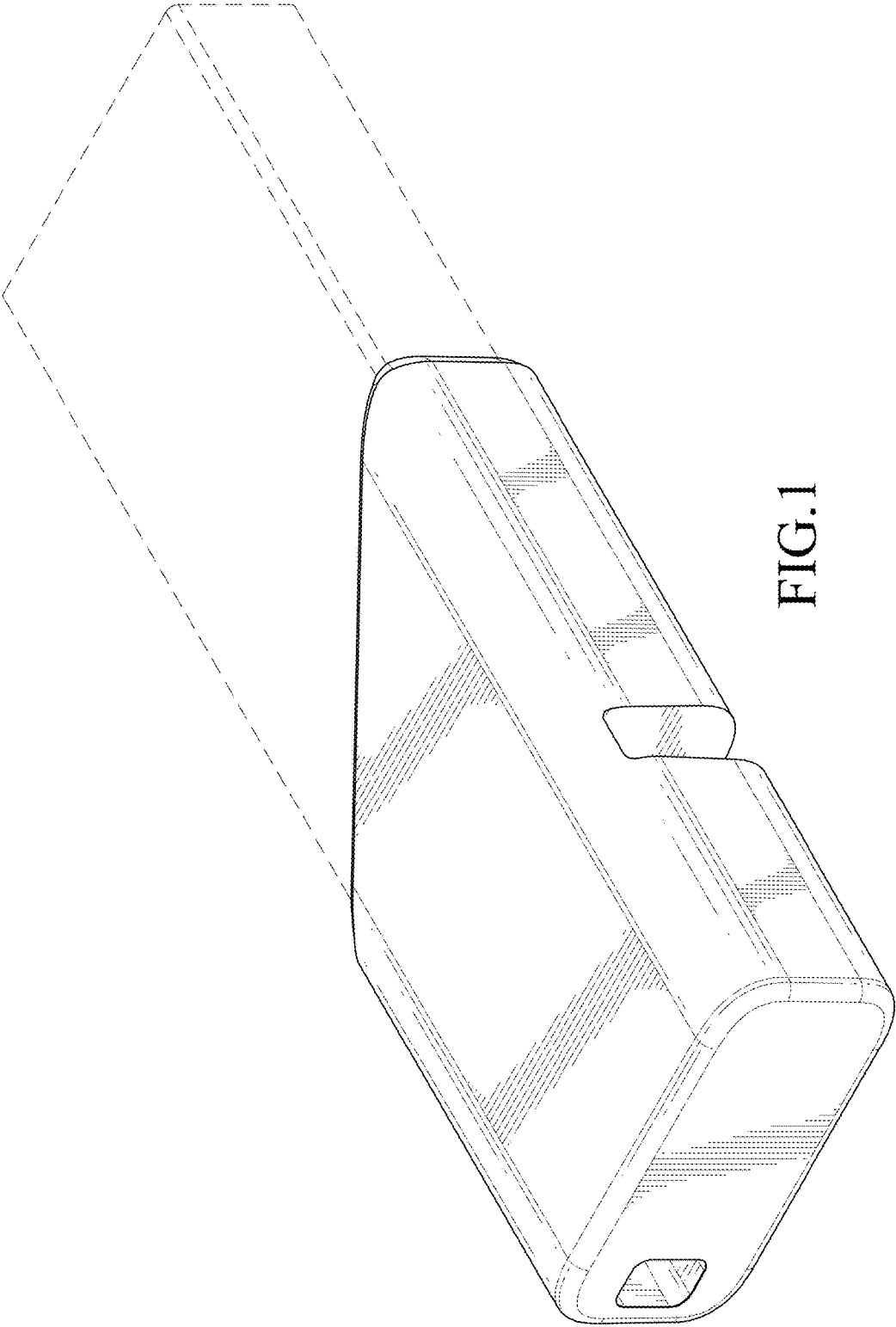


FIG. 1

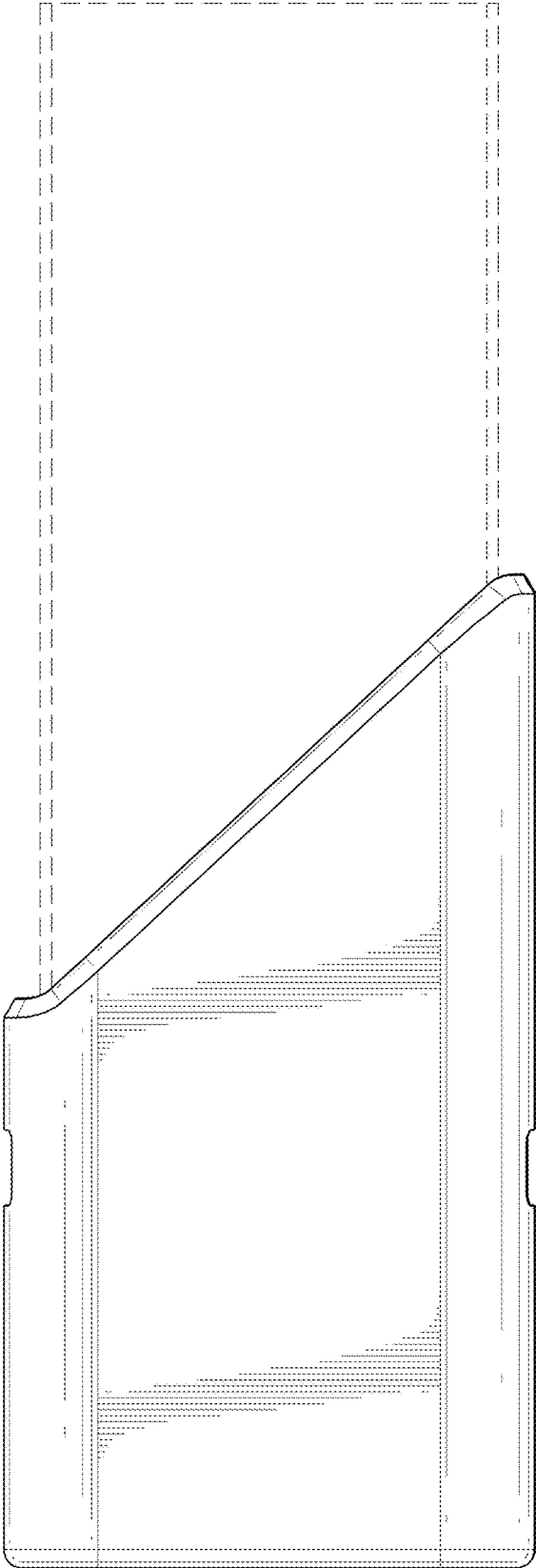


FIG.2

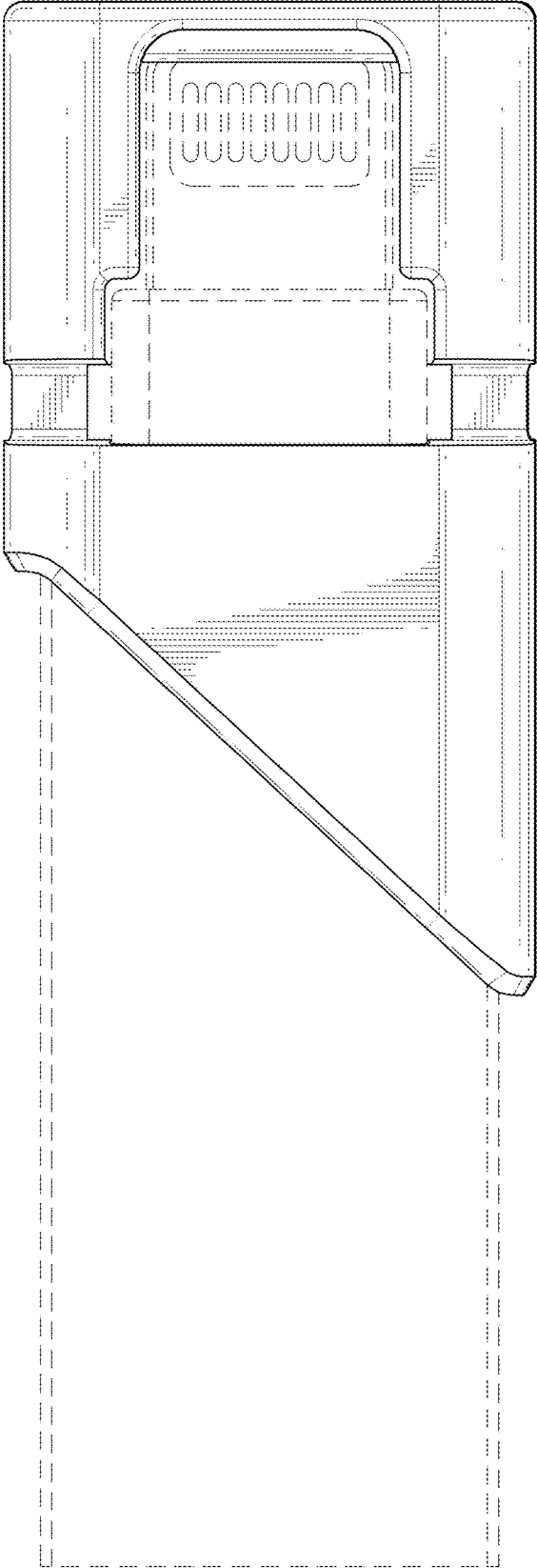


FIG.3

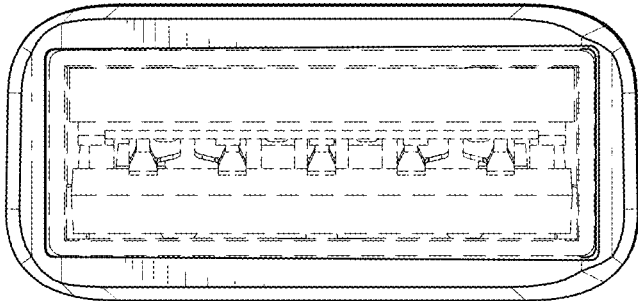


FIG.5

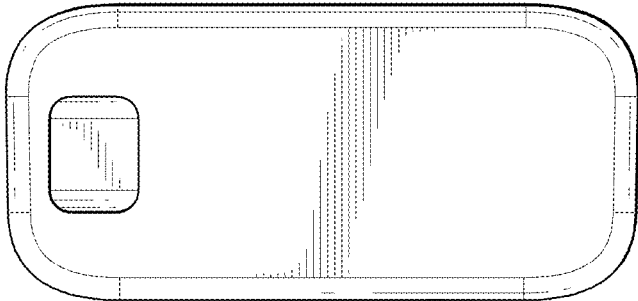


FIG.4

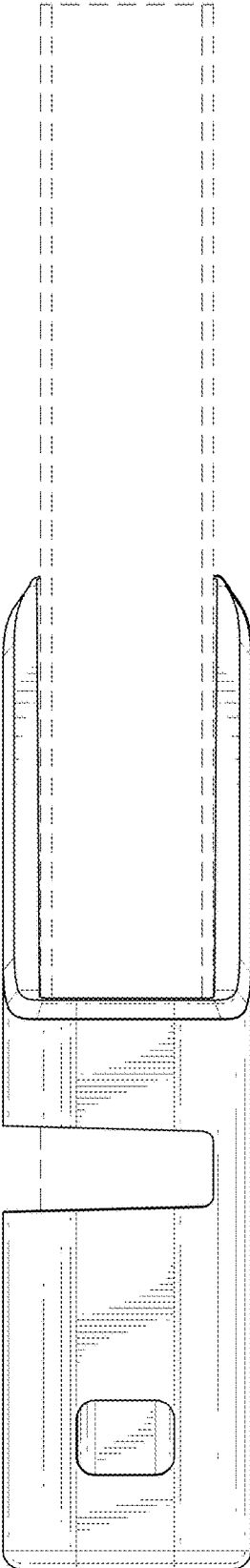


FIG.6

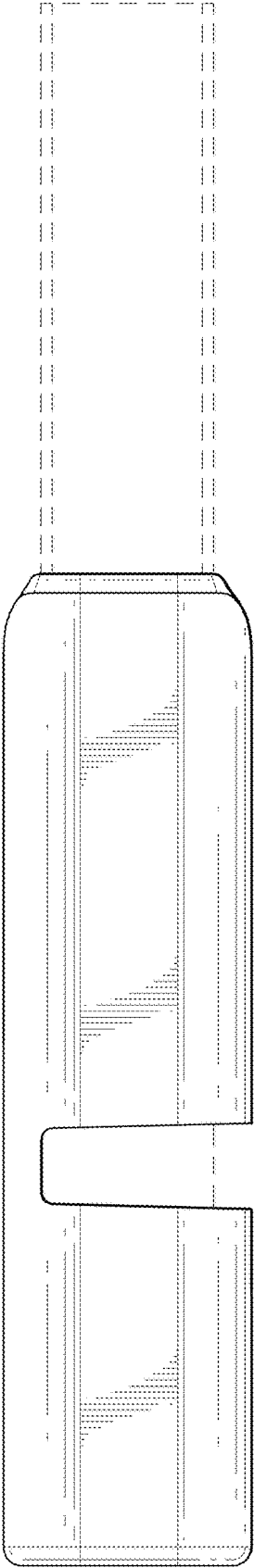


FIG.7

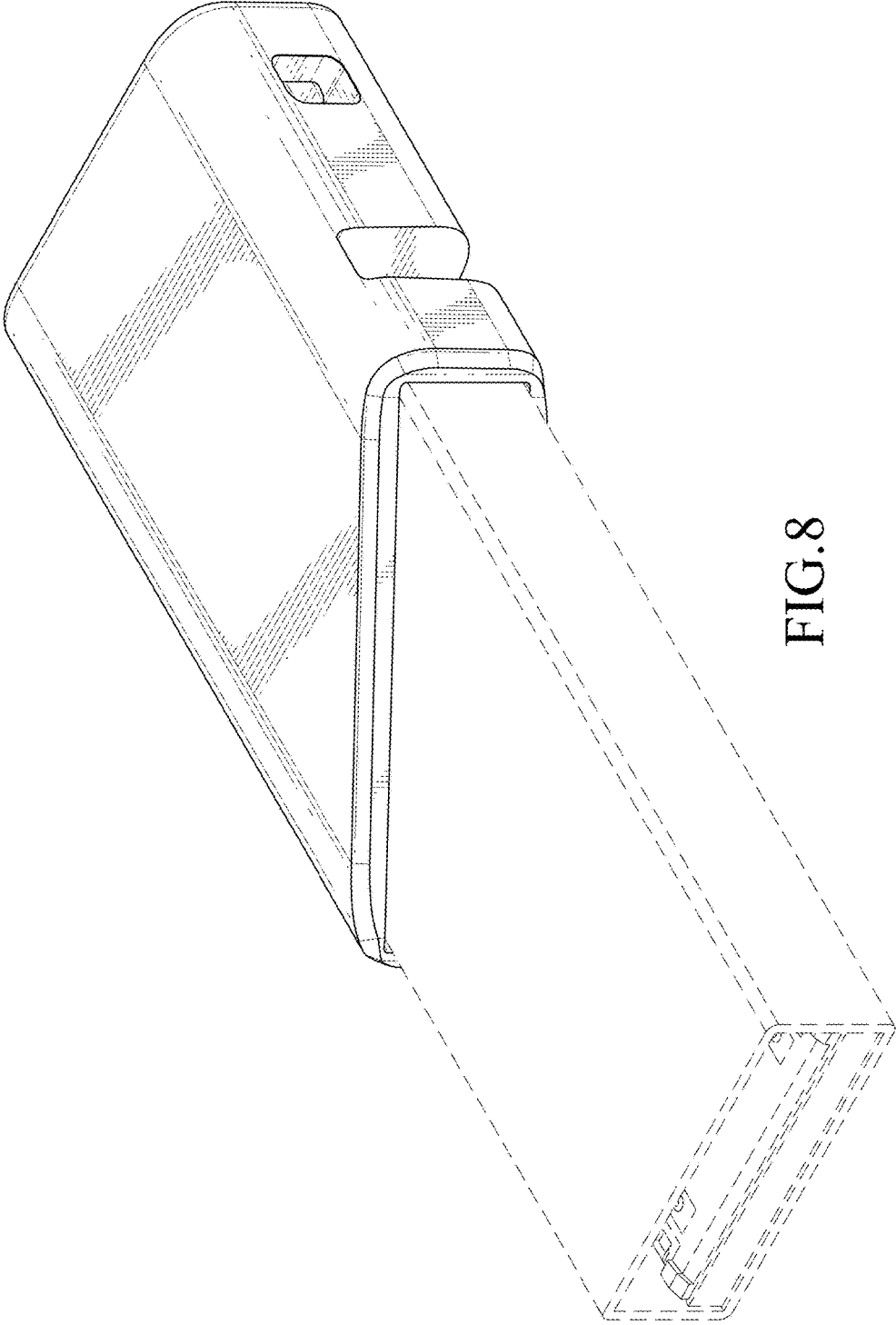


FIG. 8

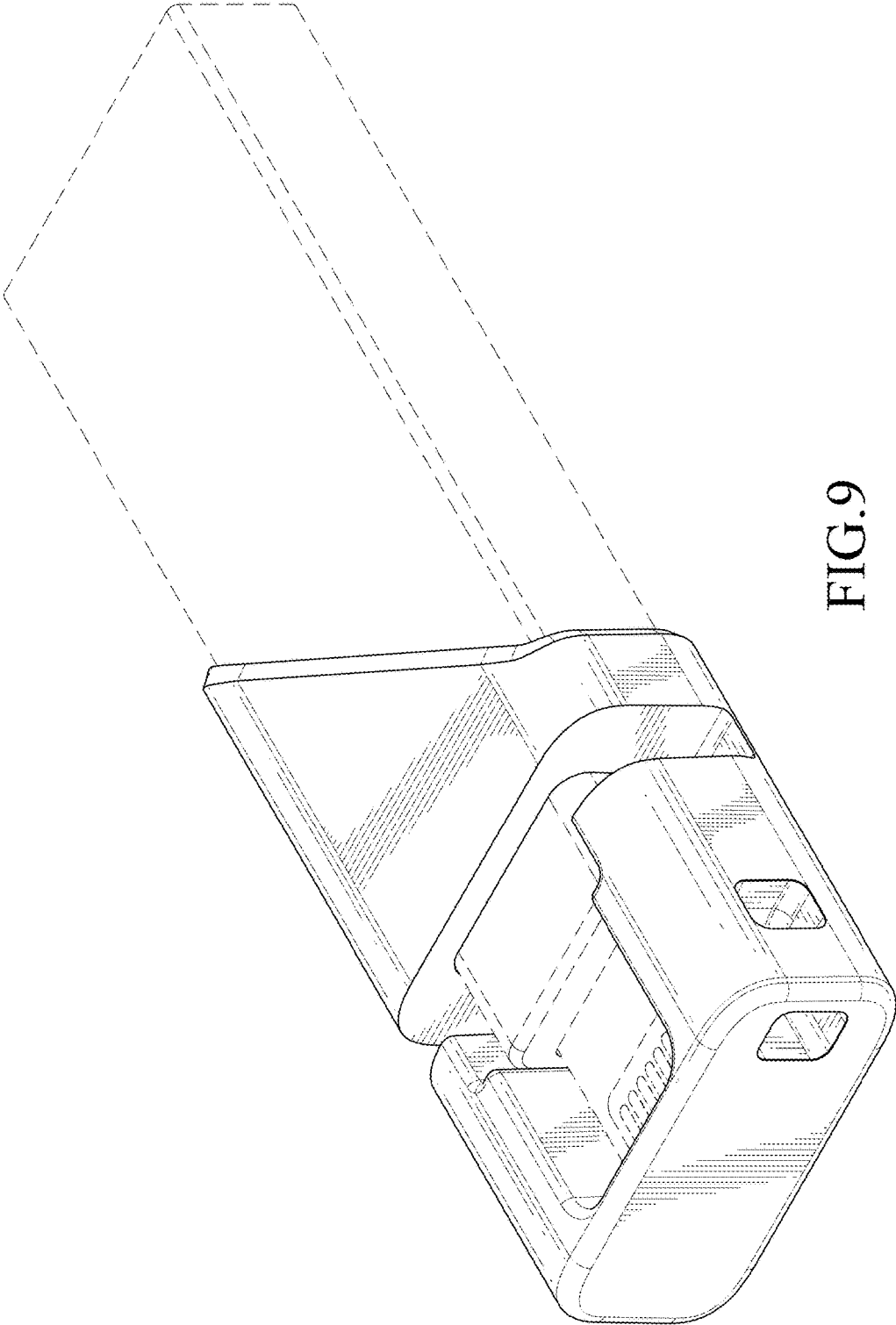


FIG. 9

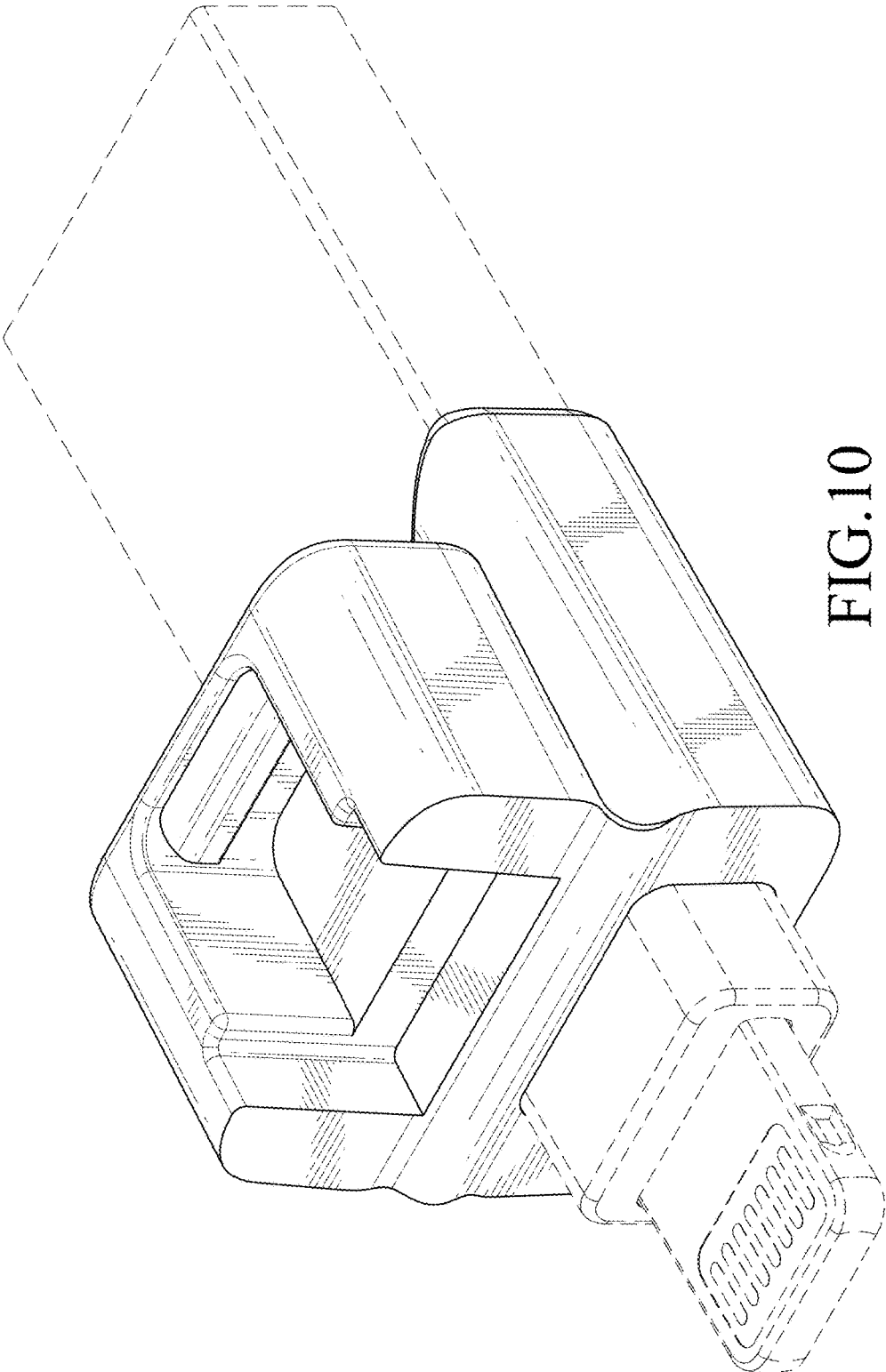


FIG. 10