



(12) **United States Design Patent**
Downs

(10) **Patent No.:** **US D795,682 S**
(45) **Date of Patent:** **** Aug. 29, 2017**

(54) **LOCK FOR PANEL MOUNT**

Primary Examiner — Sandra Snapp
Assistant Examiner — Ieisha Price
(74) *Attorney, Agent, or Firm* — Barley Snyder

(71) Applicant: **HDI Railing Systems**, Columbia, PA (US)

(72) Inventor: **Kevin Downs**, Lancaster, PA (US)

(57) **CLAIM**

(73) Assignee: **HDI Railing Systems**, Columbia, PA (US)

The ornamental design for a lock for panel mount, as shown and described.

(**) Term: **15 Years**

DESCRIPTION

(21) Appl. No.: **29/556,207**

(22) Filed: **Feb. 29, 2016**

(51) **LOC (10) Cl.** **08-08**

(52) **U.S. Cl.** **D8/382**
USPC **D8/382**

(58) **Field of Classification Search**
USPC D8/349, 354, 355, 373, 374, 380, 382,
D8/387, 388, 394, 399, 499; D25/35,
D25/38.1, 41.1, 47.1, 60, 199
CPC E04F 11/1812; E04F 11/1853; E04F
11/1817; E04F 11/1851; E06B 3/5409;
F16B 5/0628

See application file for complete search history.

(56) **References Cited**

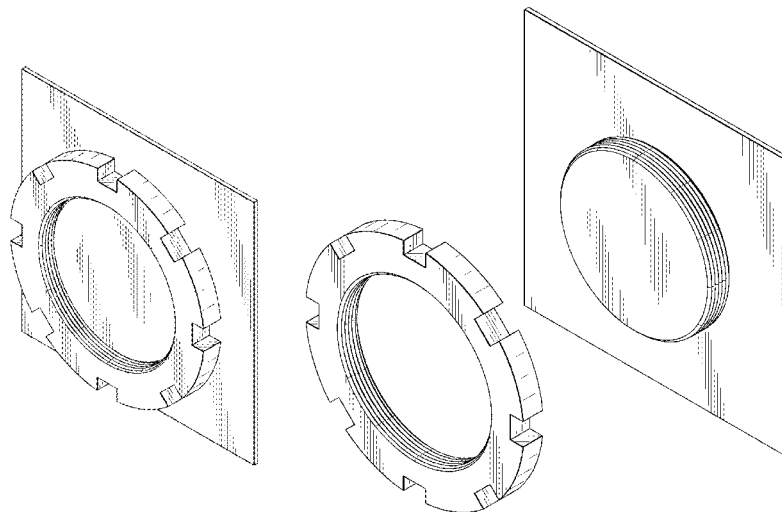
U.S. PATENT DOCUMENTS

D43,713 S *	3/1913	Campbell	16/108
D198,713 S *	7/1964	Curtiss	D8/397
D217,540 S *	5/1970	Weise	D8/397
D259,227 S *	5/1981	Chacon	D6/553
D277,454 S *	2/1985	Meinhardt	D13/154
D278,883 S *	5/1985	Frieberg	D8/399
D281,953 S *	12/1985	Newman	D8/397
D288,902 S *	3/1987	Lewis	D8/397
D329,192 S *	9/1992	Susac	D8/349
D361,711 S *	8/1995	Plumley	D8/356
D388,933 S *	1/1998	Hunter	D34/39
D520,856 S *	5/2006	Osiecki	D8/312
D520,859 S *	5/2006	Osiecki	D8/312

(Continued)

FIG. 1 is a front, top and right side perspective view of a lock for panel mount, showing the new design;
FIG. 2 is a rear, top and left side perspective view of the lock for panel mount in FIG. 1;
FIG. 3 is a front elevation view thereof;
FIG. 4 is a top plan view thereof;
FIG. 5 is a rear elevation view thereof;
FIG. 6 is a bottom plan view thereof;
FIG. 7 is a left side elevation view thereof;
FIG. 8 is a right side elevation view thereof;
FIG. 9 is a second front, top and right side perspective view of the lock for panel mount in FIG. 1;
FIG. 10 is a second rear, top and left side perspective view of the lock for panel mount in FIG. 1;
FIG. 11 is a front, top and right side exploded perspective view of a lock for panel mount, showing the new design;
FIG. 12 is a rear, top and left side exploded perspective view of the lock for panel mount in FIG. 11;
FIG. 13 is a front elevation view thereof;
FIG. 14 is a top plan view thereof;
FIG. 15 is a rear elevation view thereof;
FIG. 16 is a bottom plan view thereof;
FIG. 17 is a left side elevation view thereof;
FIG. 18 is a right side elevation view thereof;
FIG. 19 is a second front, top and right side exploded perspective view of the lock for panel mount in FIG. 11; and,
FIG. 20 is a second rear, top and left side exploded perspective view of the lock for panel mount in FIG. 11.

1 Claim, 15 Drawing Sheets



(56)

References Cited

U.S. PATENT DOCUMENTS

D532,684	S	*	11/2006	Barnes	D8/397
D533,329	S	*	12/2006	Baughman	D34/39
7,730,682	B2		6/2010	Nash		
D632,944	S	*	2/2011	Kang	D8/312
8,181,405	B2		5/2012	Nash		
D700,501	S	*	3/2014	Ackerman	D8/349
D709,369	S	*	7/2014	van de Klippe	D9/440
D737,129	S	*	8/2015	Strunk	D8/382
D747,183	S	*	1/2016	Davidson	D8/397
D775,933	S	*	1/2017	Hill	D8/349
D776,244	S	*	1/2017	Krombein	D23/259
2005/0186021	A1	*	8/2005	Savas	E04B 2/7405 403/45
2016/0281366	A1	*	9/2016	Spence	E04F 11/1812

* cited by examiner

FIG. 1

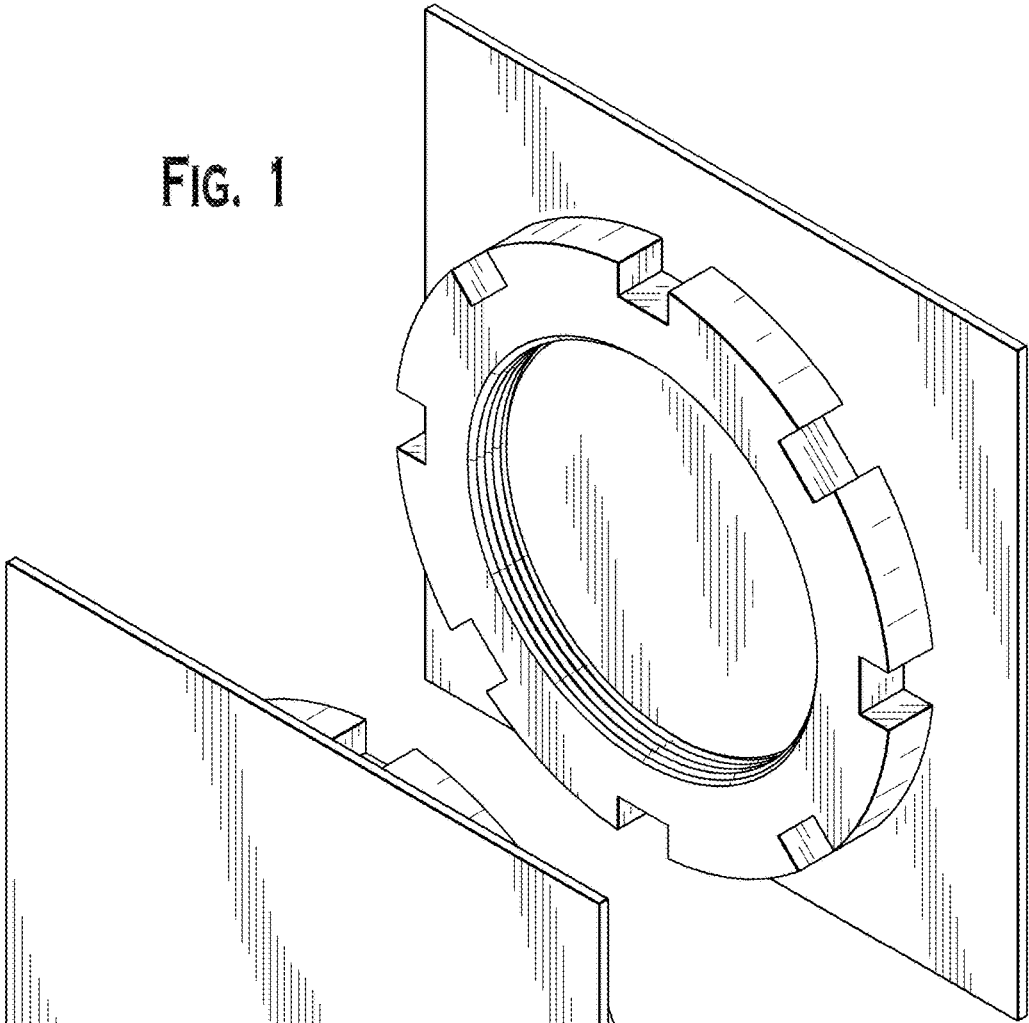
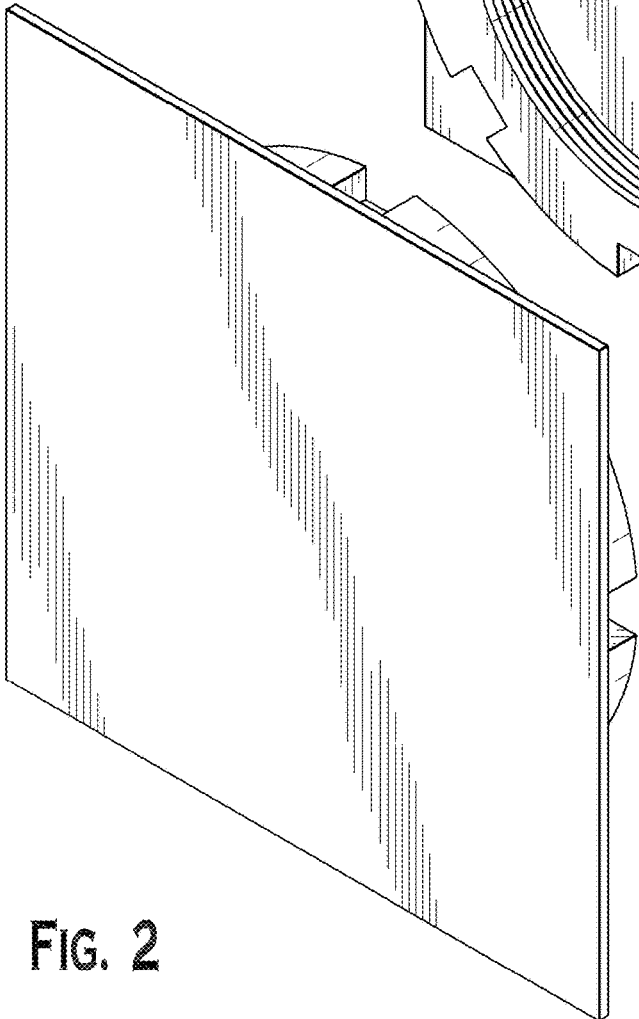


FIG. 2



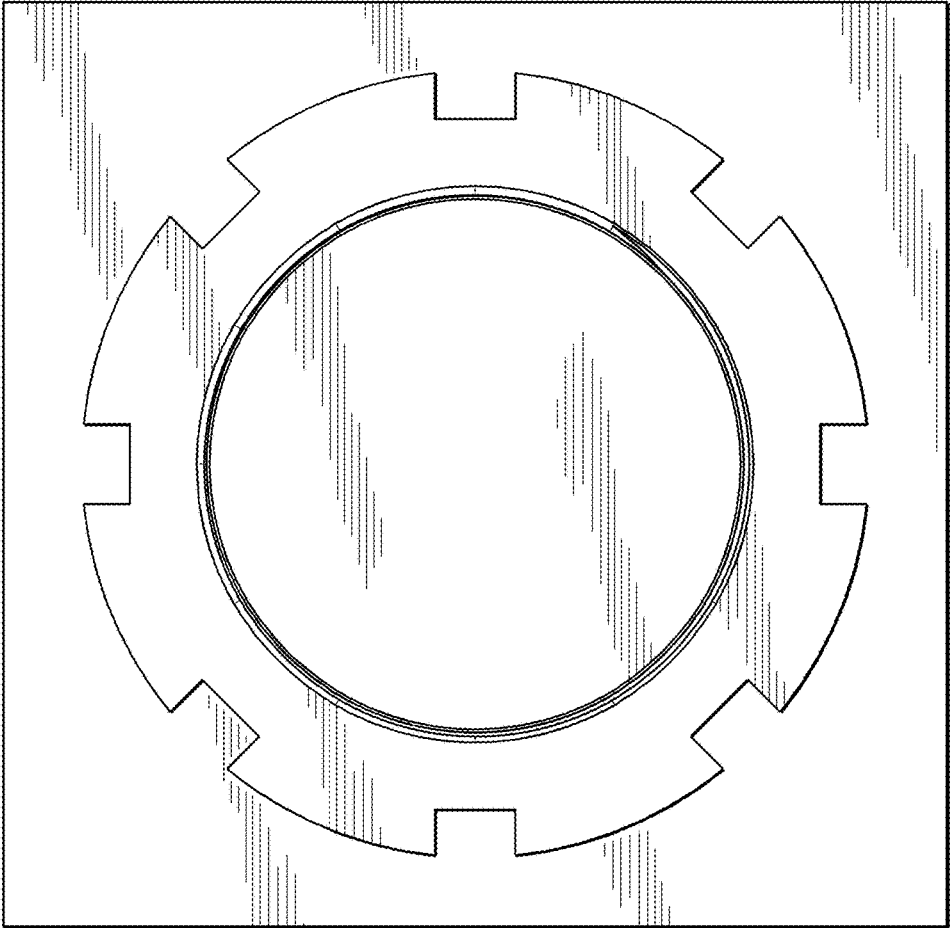


FIG. 3

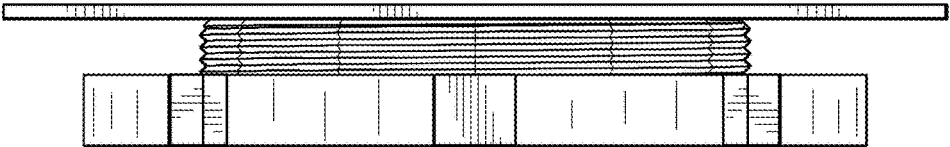


FIG. 4

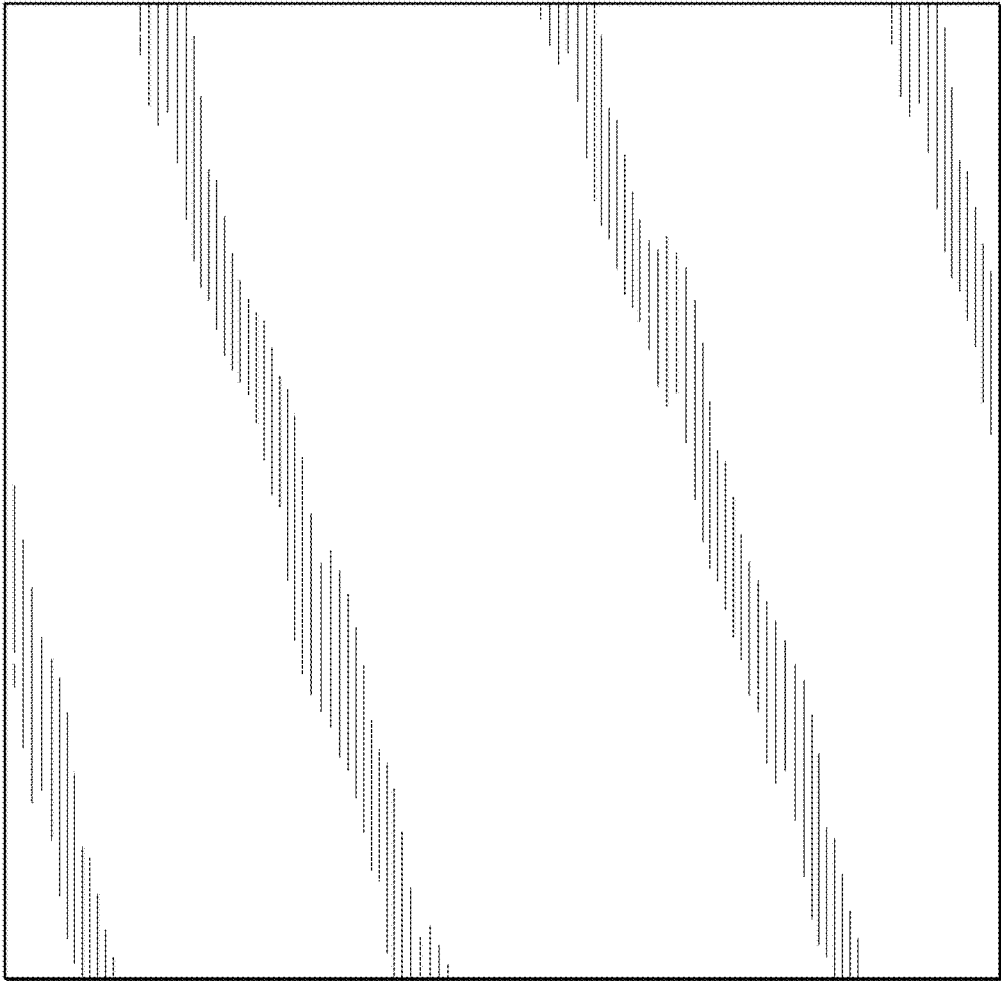


FIG. 5

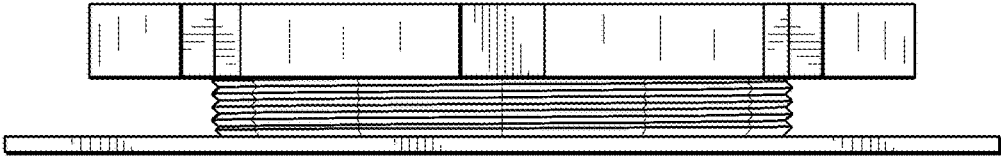


FIG. 6

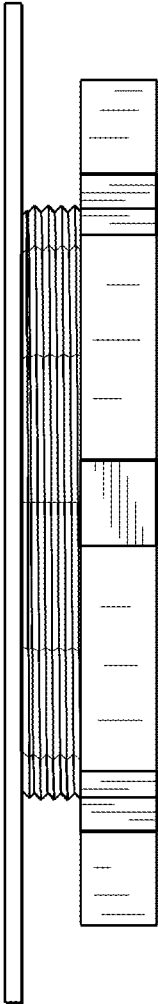


FIG. 7

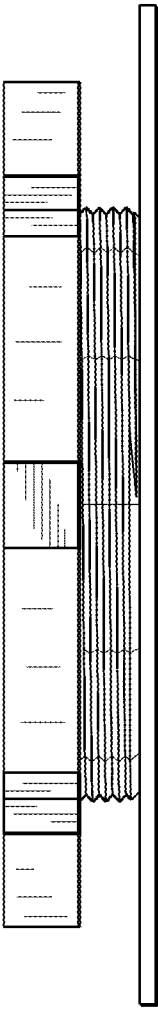


FIG. 8

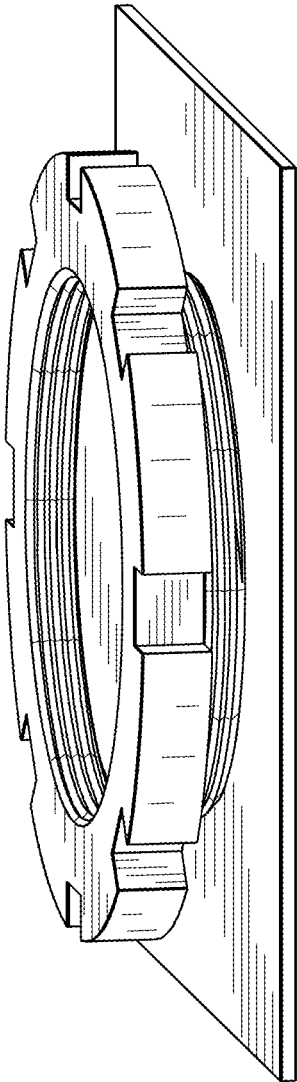


FIG. 9

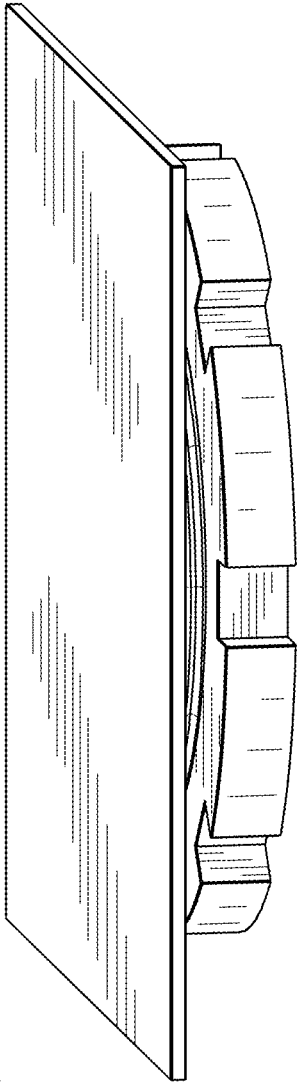


FIG. 10

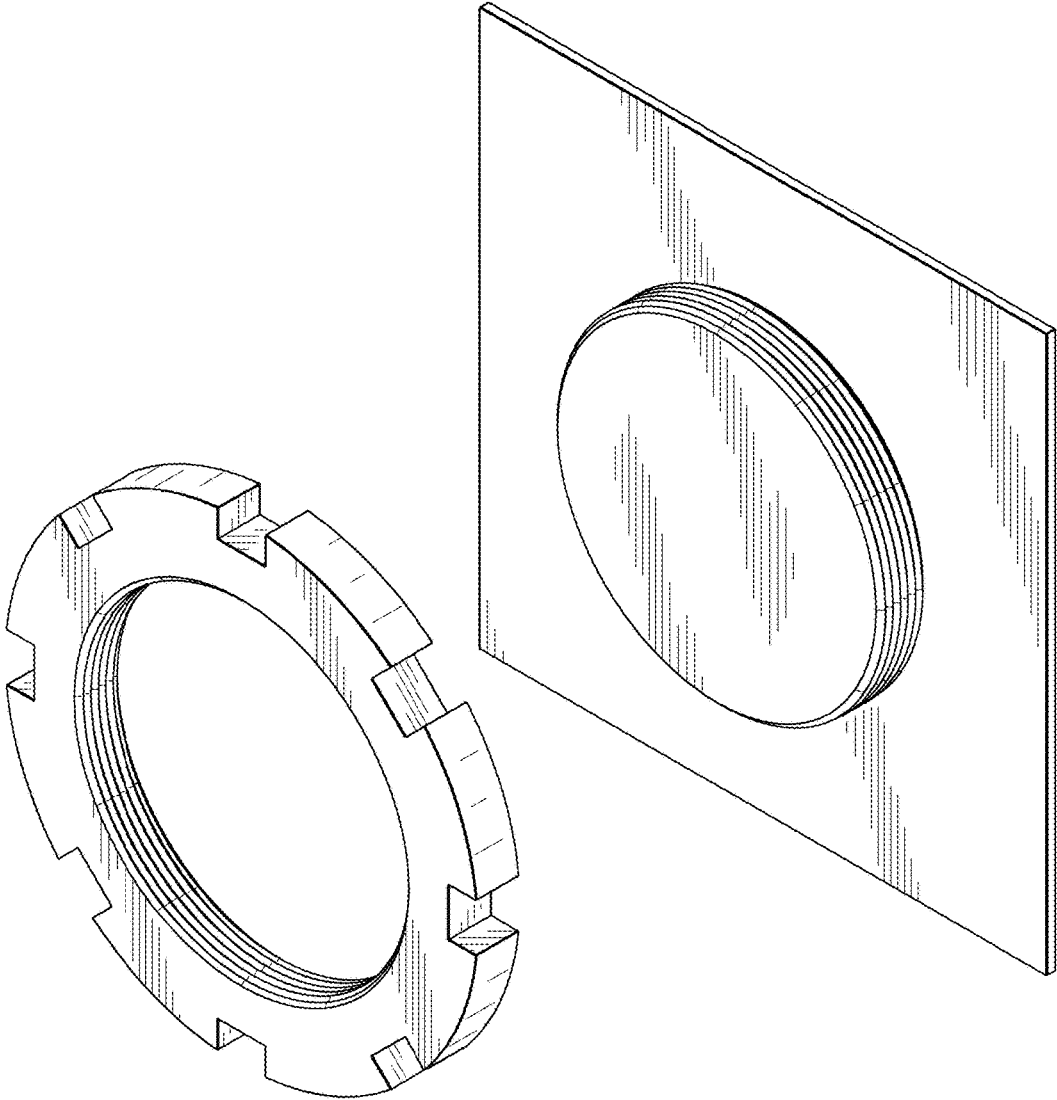


FIG. 11

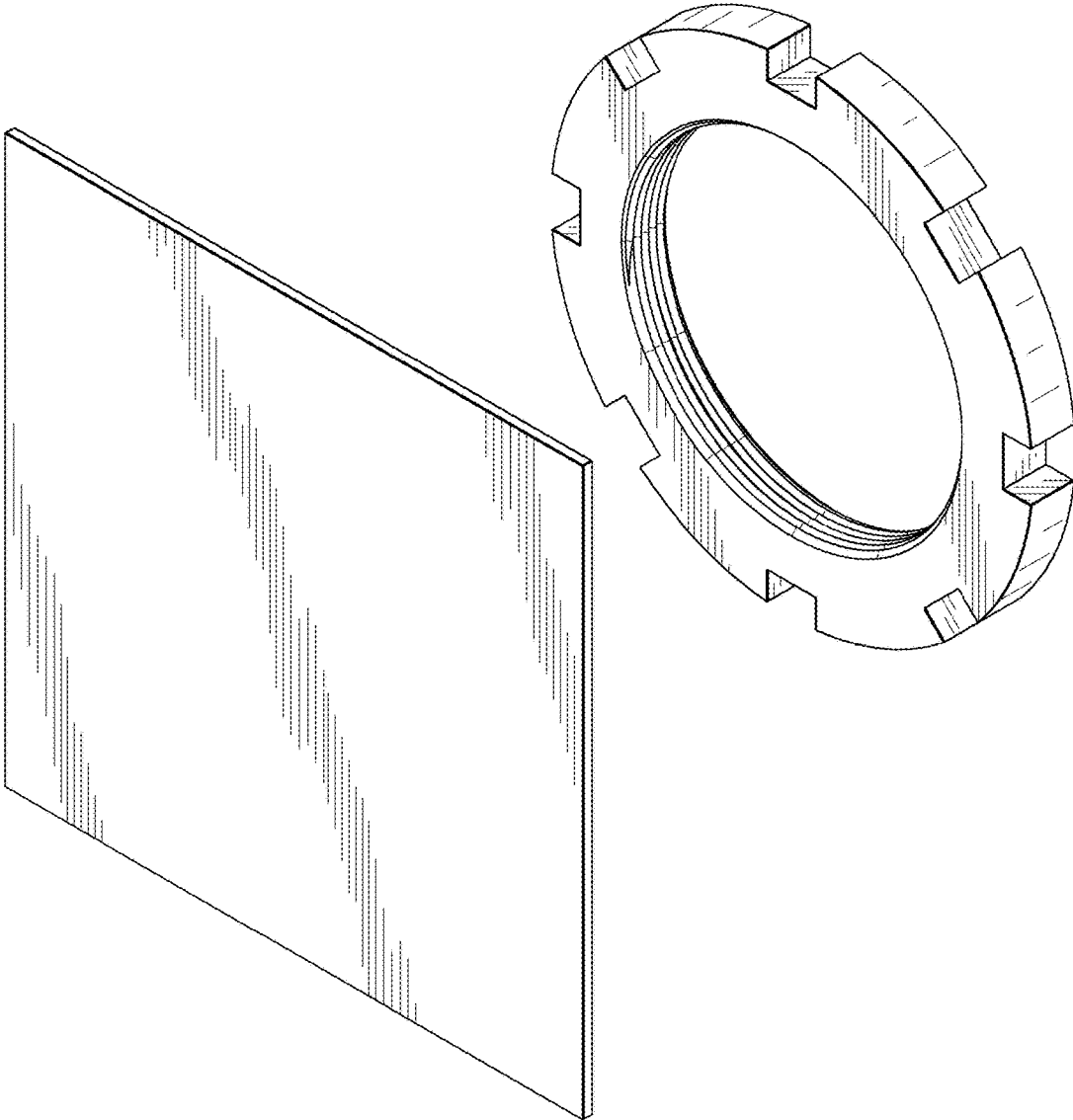


FIG. 12

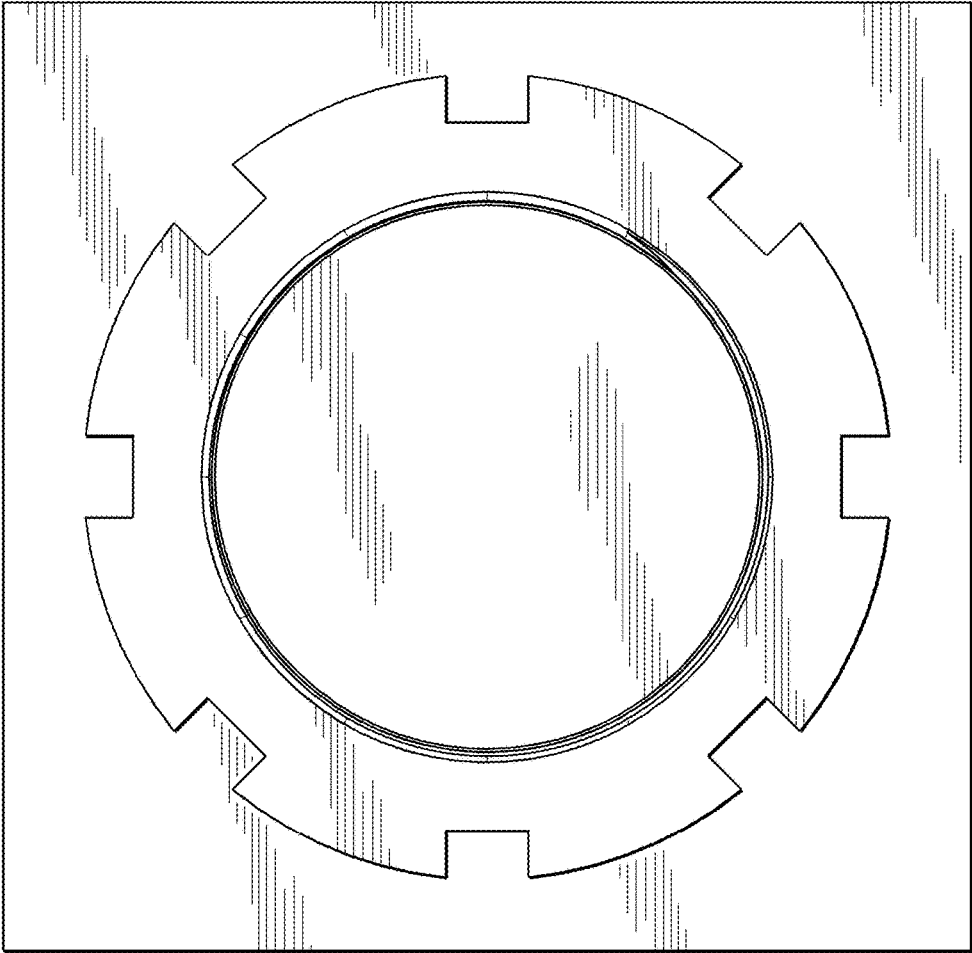


FIG. 13

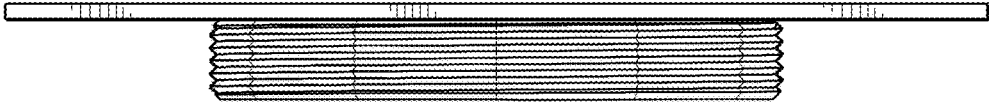


FIG. 14

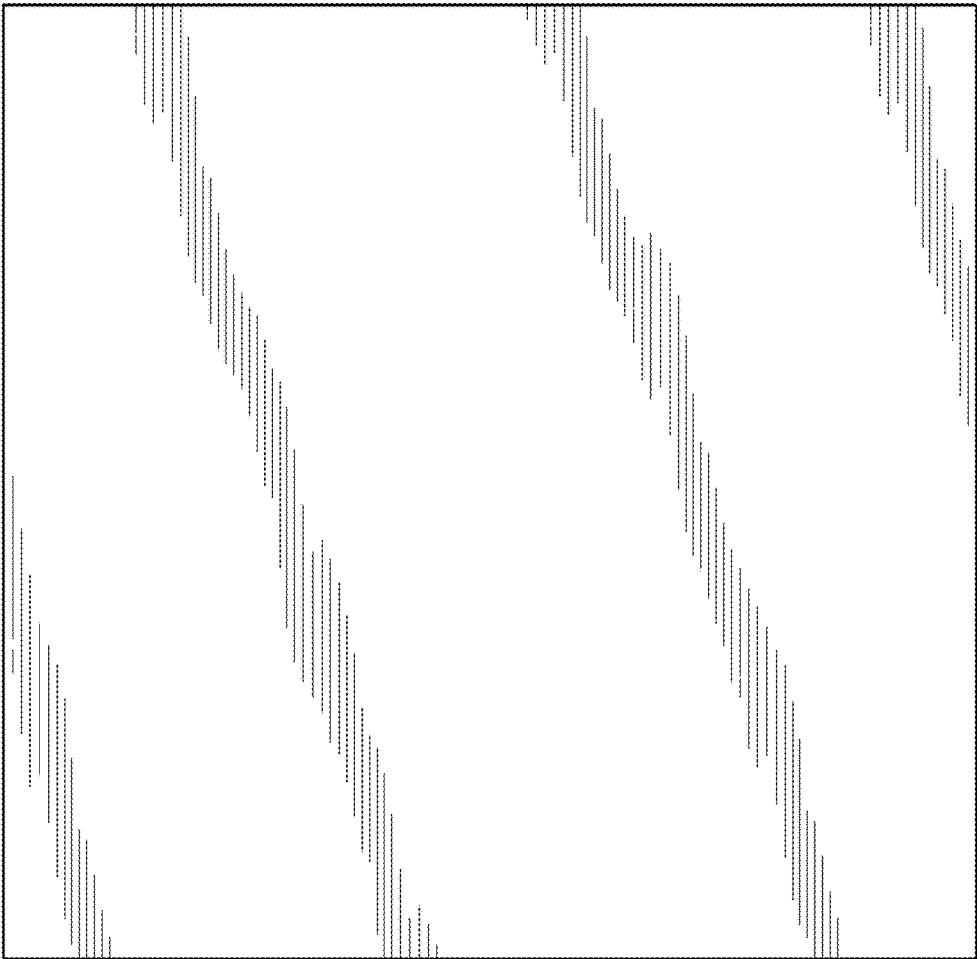


FIG. 15

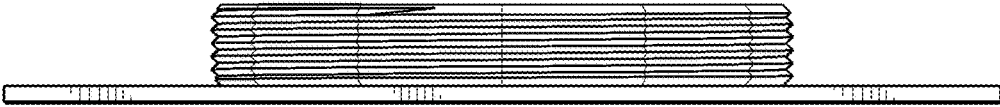


FIG. 16

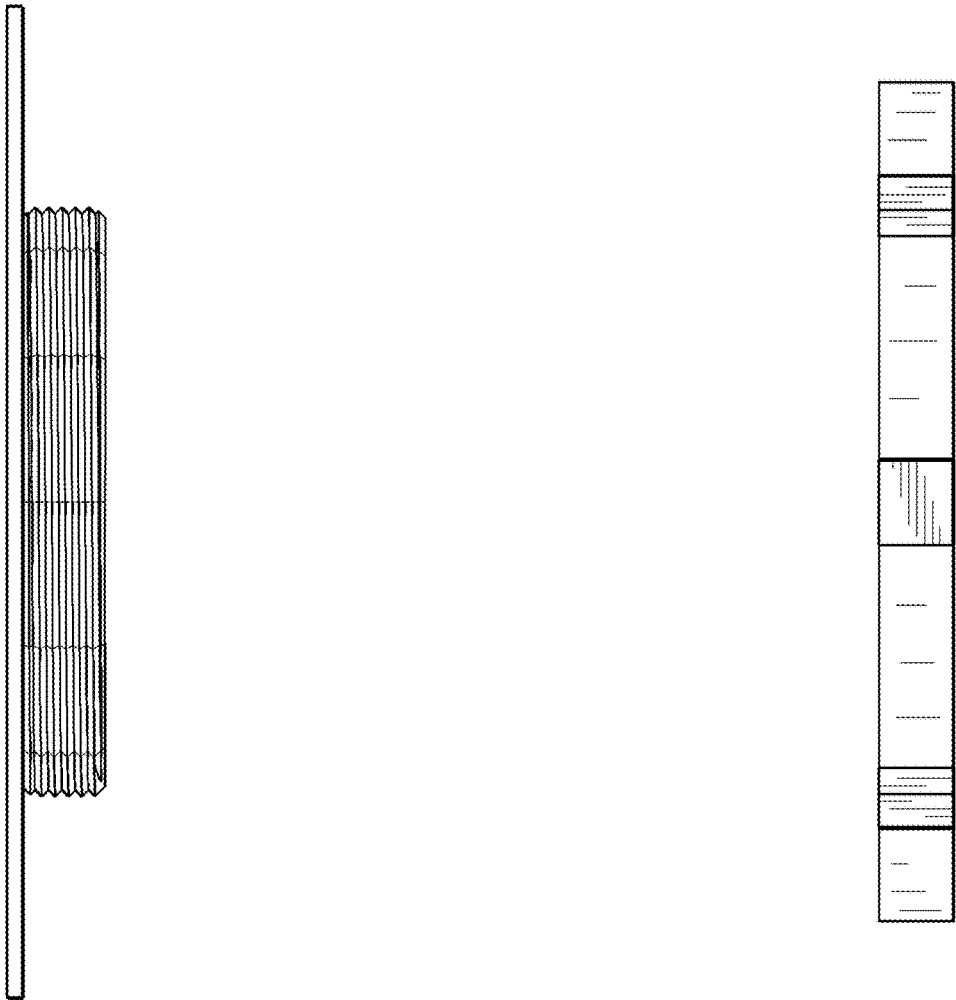


FIG. 17

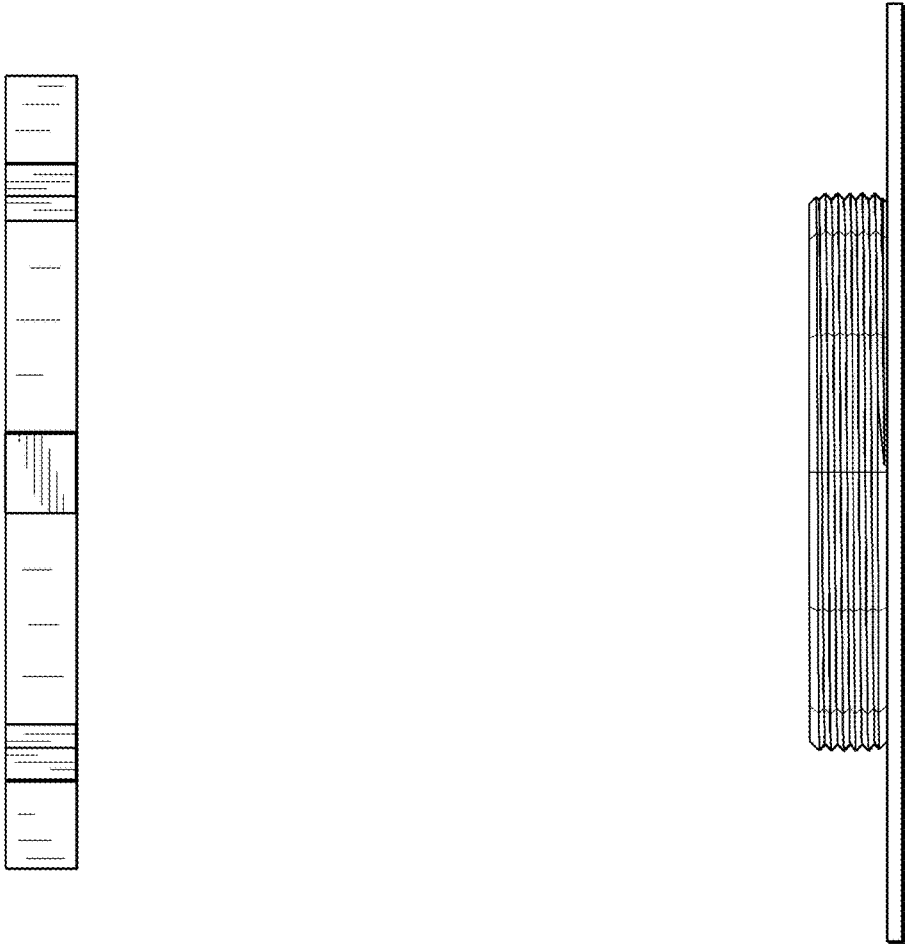


FIG. 18

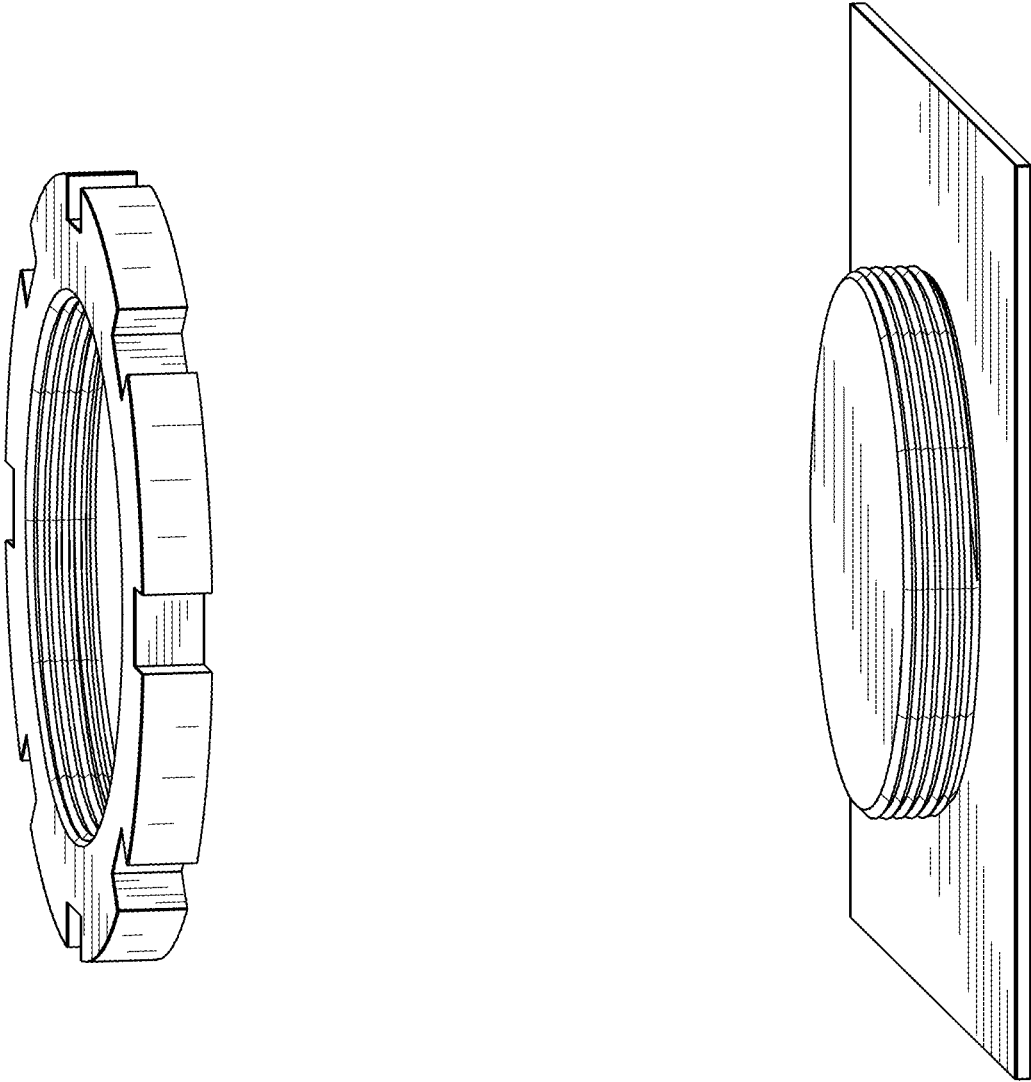


FIG. 19

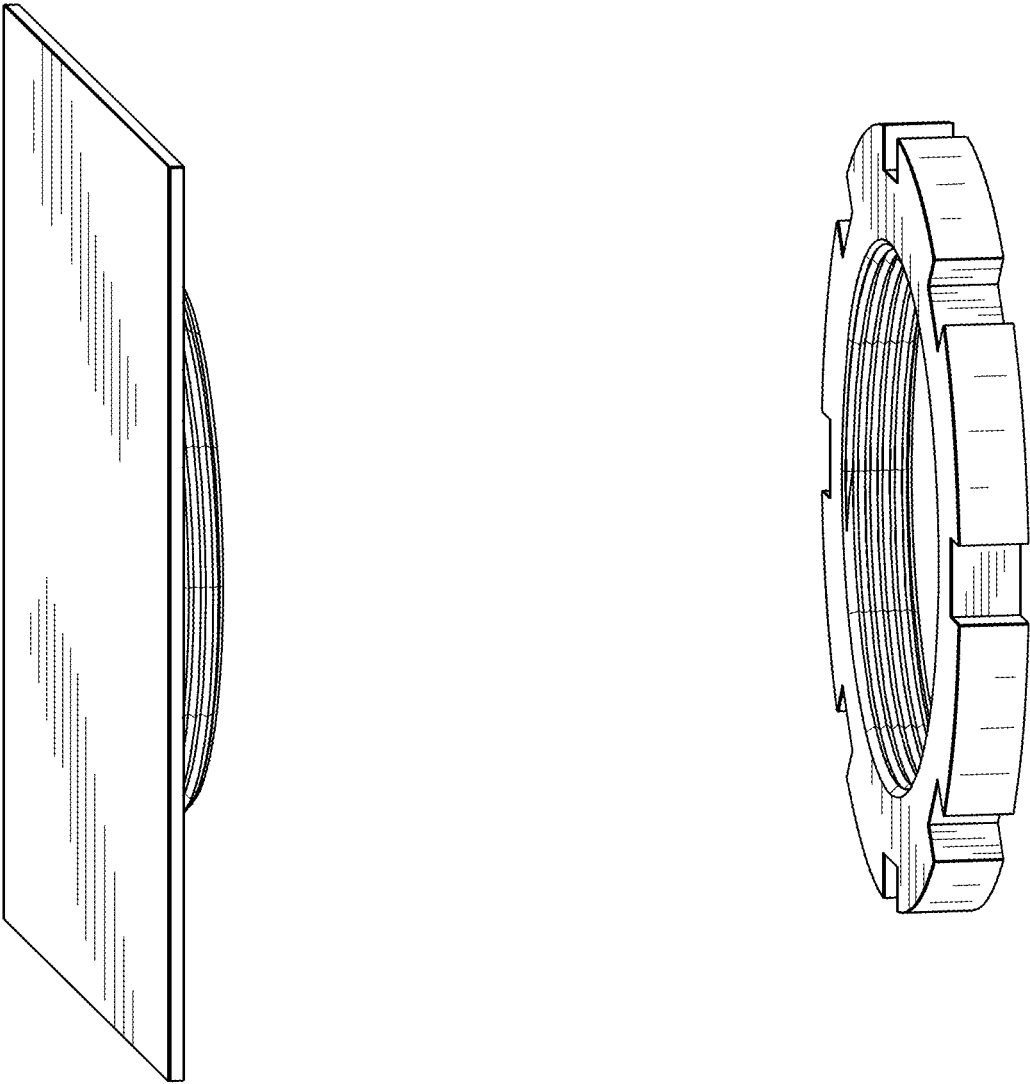


FIG. 20