



US00D778214S

(12) **United States Design Patent**
Kim et al.

(10) **Patent No.:** **US D778,214 S**

(45) **Date of Patent:** **** Feb. 7, 2017**

(54) **FRONT BUMPER COVER FOR AN
AUTOMOBILE**

D763,145 S * 8/2016 Tsutamori D12/169
D770,336 S * 11/2016 Liu D12/169

* cited by examiner

(71) Applicant: **HYUNDAI MOTOR COMPANY,**
Seoul (KR)

Primary Examiner — Melody N Brown

(72) Inventors: **Sang Woo Kim,** Gyeonggi-do (KR);
Seung Jin Kim, Gyeonggi-do (KR)

(74) *Attorney, Agent, or Firm* — Mintz Levin Cohn Ferris
Glovsky and Popeo, P.C.; Kongsik Kim

(73) Assignee: **Hyundai Motor Company,** Seoul (KR)

(57) **CLAIM**

(**) Term: **15 Years**

The ornamental design for a front bumper cover for an
automobile, as shown and described.

(21) Appl. No.: **29/561,719**

(22) Filed: **Apr. 19, 2016**

DESCRIPTION

(30) **Foreign Application Priority Data**

Oct. 12, 2015 (KR) 30-2015-0051131

FIG. 1 is a perspective view of a front bumper cover for an
automobile according to the present invention.

(51) **LOC (10) Cl.** **12-16**

FIG. 2 is another perspective view of the front bumper cover
for an automobile of FIG. 1.

(52) **U.S. Cl.**

USPC **D12/169**

FIG. 3 is a front view of the front bumper cover for an
automobile of FIG. 1.

(58) **Field of Classification Search**

USPC D12/169, 216, 90-92, 86, 171, 196, 163;
293/102, 113, 115, 117, 120; 296/180.1,
296/180.2

FIG. 4 is a rear view of the front bumper cover for an
automobile of FIG. 1.

CPC .. B60R 19/52; B60R 2019/25; B62D 25/0845
See application file for complete search history.

FIG. 5 is a left side view of the front bumper cover for an
automobile of FIG. 1.

(56) **References Cited**

U.S. PATENT DOCUMENTS

D749,021 S * 2/2016 Boniface D12/169
D758,260 S * 6/2016 Lesnik D12/169

FIG. 6 is a right side view of the front bumper cover for an
automobile of FIG. 1.

FIG. 7 is a top view of the front bumper cover for an
automobile of FIG. 1; and,

FIG. 8 is a bottom view of the front bumper cover for an
automobile of FIG. 1.

1 Claim, 8 Drawing Sheets

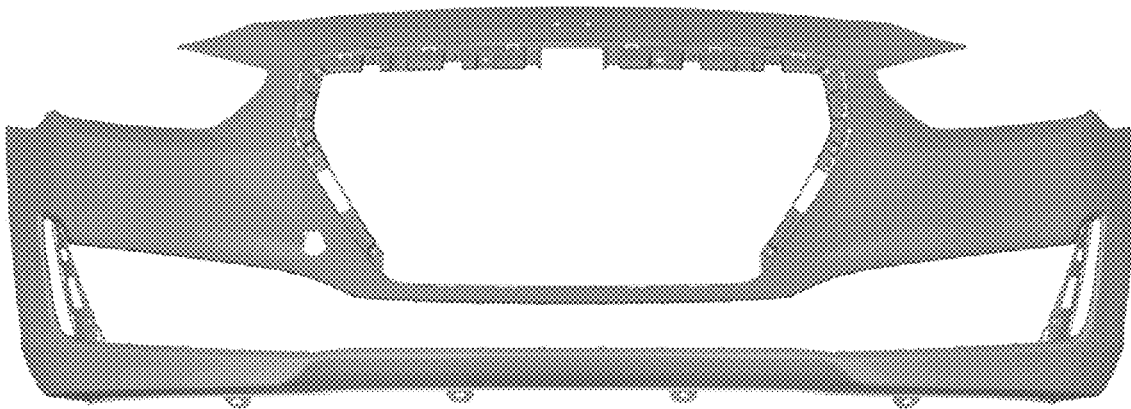


FIG. 1

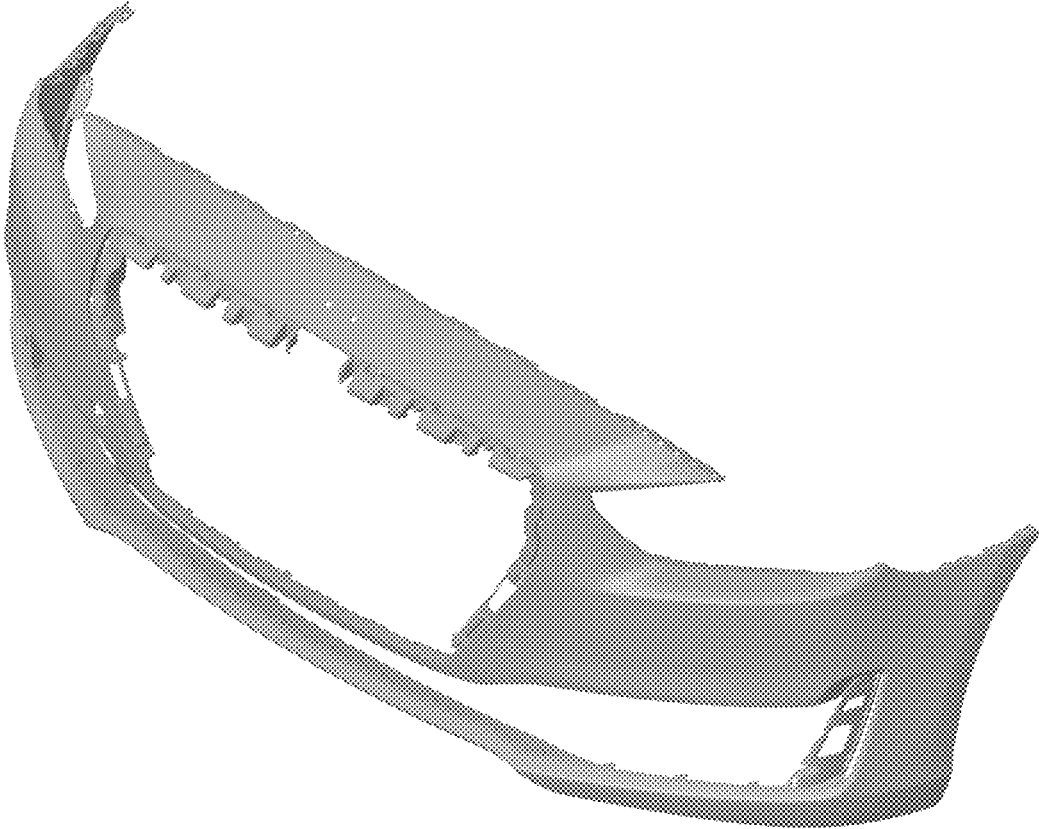


FIG. 2

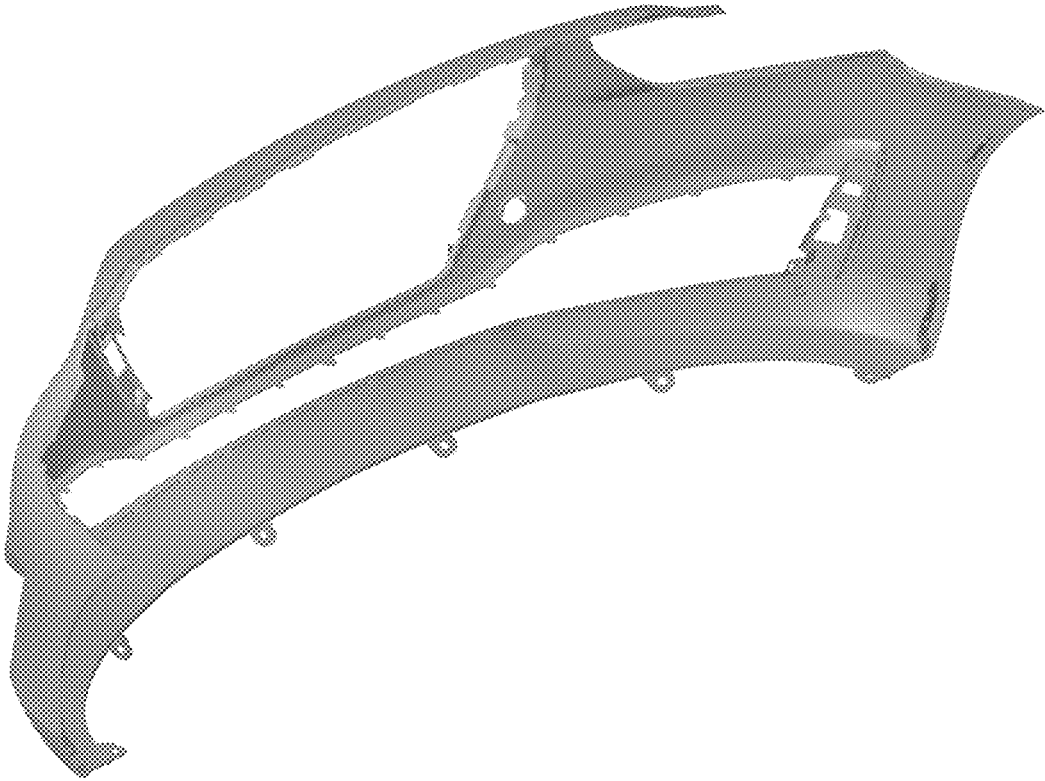


FIG. 3

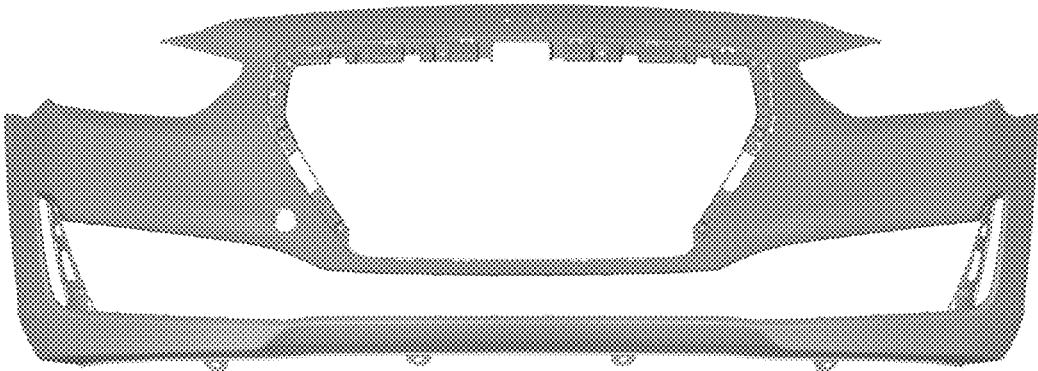


FIG. 4

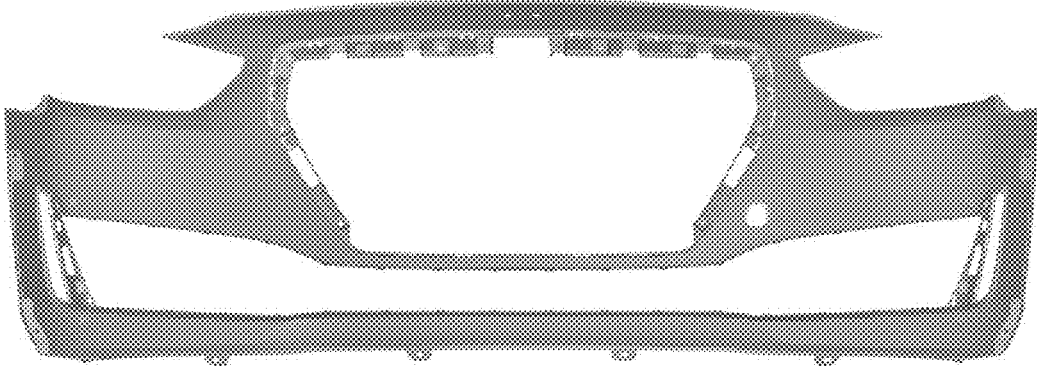


FIG. 5

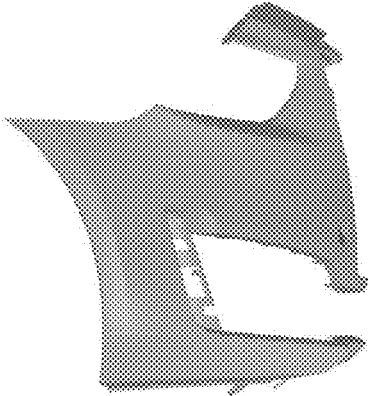


FIG. 6

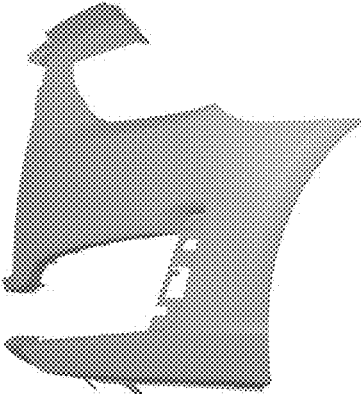


FIG. 7

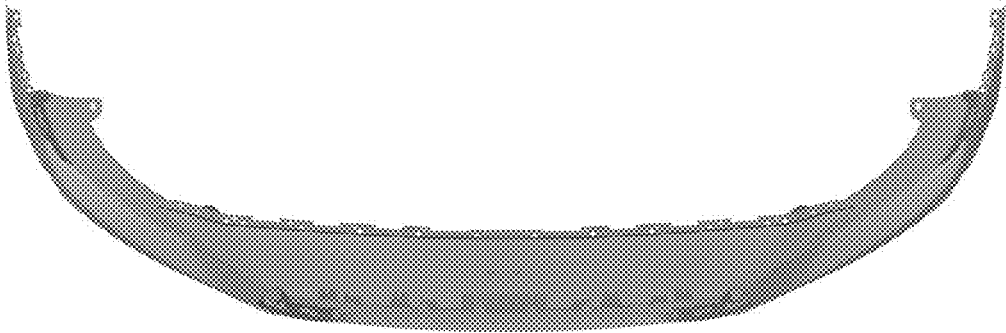


FIG. 8

