



US00D869879S

(12) **United States Design Patent**  
**Kubish**

(10) **Patent No.:** **US D869,879 S**

(45) **Date of Patent:** **\*\* Dec. 17, 2019**

- (54) **SHEET WITH INTEGRATED PILLOW POCKET**
- (71) Applicant: **Meredith Kubish**, Pleasanton, TX (US)
- (72) Inventor: **Meredith Kubish**, Pleasanton, TX (US)
- (\*\*) Term: **15 Years**
- (21) Appl. No.: **29/643,713**

6,049,925	A	4/2000	Lewis	
D465,687	S *	11/2002	Sandbeck	D6/597
6,539,565	B1	4/2003	Trimble	
D476,516	S *	7/2003	Pigg	D6/596
D587,952	S *	3/2009	Skipper	D6/595
7,971,292	B1	7/2011	Sithian	
D707,466	S *	6/2014	Lancaster	D6/603
D752,361	S *	3/2016	Cumby	D6/601
D757,462	S *	5/2016	Mathews	D6/608

(Continued)

- (22) Filed: **Apr. 11, 2018**
- (51) **LOC (12) Cl.** ..... **06-13**
- (52) **U.S. Cl.**  
USPC ..... **D6/602**
- (58) **Field of Classification Search**  
USPC ..... D6/333, 349, 355, 375, 388, 512, 563,  
D6/564, 595, 596, 601, 602, 603, 604,  
D6/605, 606, 607, 608, 707, 715, 716,  
D6/716.1; 5/636, 490, 491, 495;  
D24/183-184  
CPC ..... A47C 17/021; A47C 17/13; A47C 17/132;  
A47C 17/136; A47C 17/1655; A47C  
17/207; A47G 9/10; A47G 9/1027; A47G  
9/1081; A47G 9/1036; A47G 9/1063;  
A47G 2009/1018; A47G 9/0238; A47G  
9/0246; A47G 9/0253  
See application file for complete search history.

(56) **References Cited**

**U.S. PATENT DOCUMENTS**

3,638,251	A	2/1972	Weiss	
D242,490	S *	11/1976	Belkin	D6/602
4,864,669	A *	9/1989	Jones	A47G 9/0253 5/636
D349,625	S *	8/1994	daPalma	D6/596
5,438,719	A	8/1995	Anthony	
5,497,521	A *	3/1996	Waits	A47C 21/048 2/69.5
5,557,814	A *	9/1996	Cybulski	A47G 9/02 5/485
5,970,542	A *	10/1999	Mays	A47G 9/066 2/69.5

**OTHER PUBLICATIONS**

Doact Sleep Bag Liner, earliest review Dec. 14, 2018, [online], [site visited Jul. 24, 2019]. Available from Internet, URL: [https://www.amazon.ca/Sleeping-Breathable-Washed-Cotton-Travel/dp/B07D7VRD5Q/ref=sr\\_1\\_4?keywords=bed+sheet+with+pillow+pocket&qid=1563995675&s=gateway&sr=8-4#customerReviews](https://www.amazon.ca/Sleeping-Breathable-Washed-Cotton-Travel/dp/B07D7VRD5Q/ref=sr_1_4?keywords=bed+sheet+with+pillow+pocket&qid=1563995675&s=gateway&sr=8-4#customerReviews) (Year: 2018).\*

*Primary Examiner* — Michelle E. Wilson  
*Assistant Examiner* — Sanjeev Paul

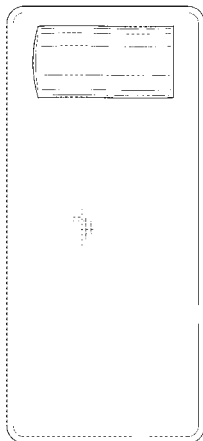
(57) **CLAIM**

The ornamental design for a sheet with integrated pillow pocket, as shown and described.

**DESCRIPTION**

FIG. 1 is a front view of a sheet with integrated pillow pocket showing my new design;  
FIG. 2 is a rear view of the sheet with integrated pillow pocket;  
FIG. 3 is a left side view of the sheet with integrated pillow pocket;  
FIG. 4 is a right side view of the sheet with integrated pillow pocket;  
FIG. 5 is a top view of the sheet with integrated pillow pocket, a bottom view being a mirror image thereof;  
FIG. 6 is a bottom front side perspective view of the sheet with integrated pillow pocket; and,  
FIG. 7 is a top rear side perspective view of the sheet with integrated pillow pocket.

**1 Claim, 6 Drawing Sheets**



(56)

**References Cited**

## U.S. PATENT DOCUMENTS

D771,978	S *	11/2016	McCullough, Jr. ....	D6/603
D773,859	S *	12/2016	Feldman .....	D6/602
D793,771	S *	8/2017	Shea .....	D6/608
9,924,812	B1 *	3/2018	Kennedy .....	A47G 9/0253
D821,114	S *	6/2018	Nguyen .....	D6/601
D830,735	S *	10/2018	Johnson .....	D6/603
D833,776	S *	11/2018	Casserly .....	D6/603
D850,158	S *	6/2019	Daniels .....	D6/603
D850,819	S *	6/2019	Lloyd-Caldwell .....	D6/603
2003/0135925	A1 *	7/2003	Higashi .....	A45C 3/10 5/417
2004/0117909	A1 *	6/2004	Liao .....	A47C 15/008 5/482
2010/0162486	A1 *	7/2010	Joyce .....	A47G 9/0238 5/485
2013/0227784	A1 *	9/2013	Holliday .....	A47G 9/0253 5/490
2014/0189952	A1 *	7/2014	Crispino .....	A47G 9/02 5/482
2017/0251839	A1 *	9/2017	McLeod .....	A47G 9/0246
2017/0280901	A1 *	10/2017	Johnson .....	A47G 9/04
2018/0325290	A1 *	11/2018	Zimmerman .....	A47G 9/0246
2019/0069696	A1 *	3/2019	Young .....	A47G 9/0246

\* cited by examiner

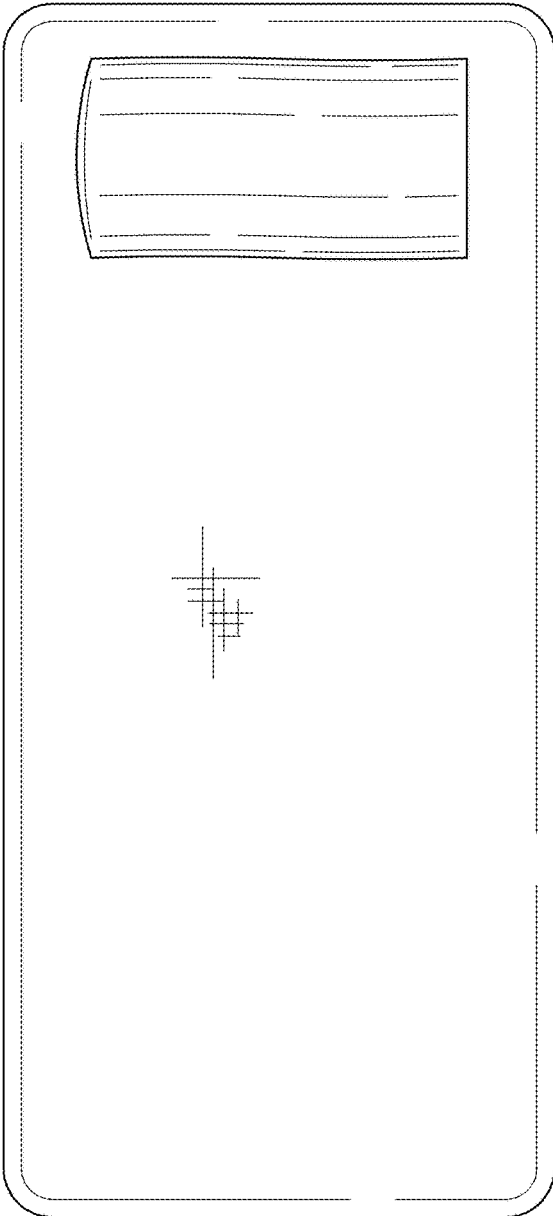


FIG. 1

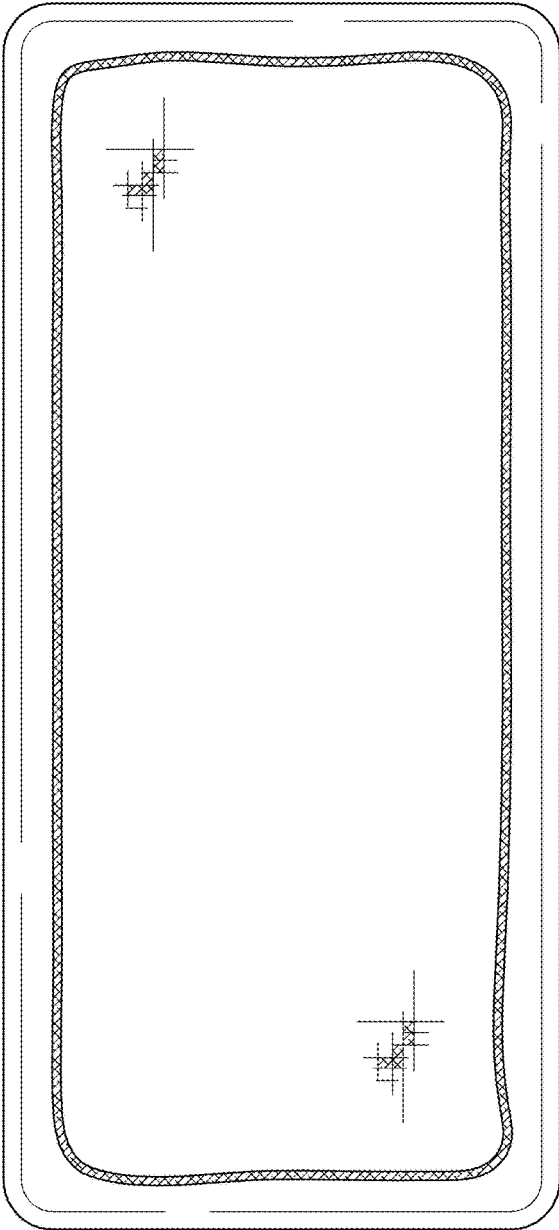


FIG. 2

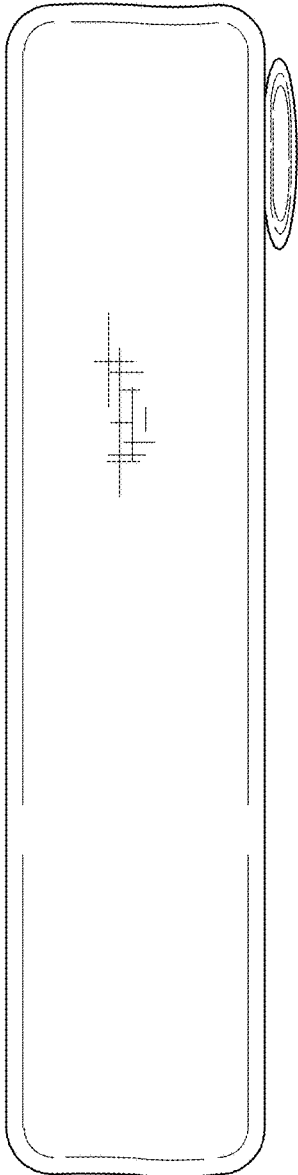


FIG. 3

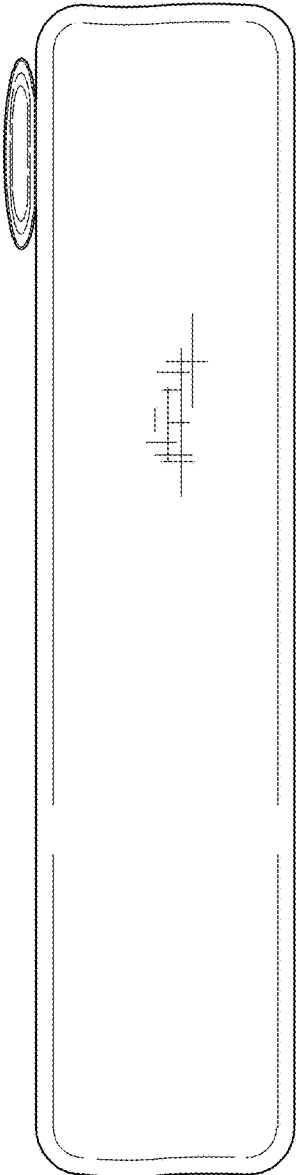


FIG. 4

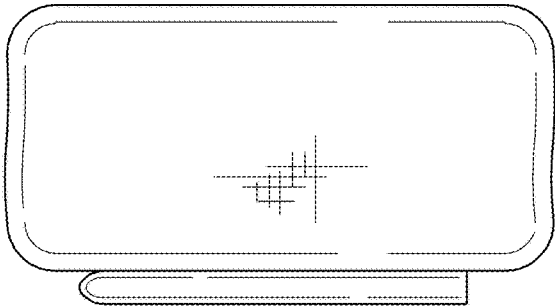


FIG. 5

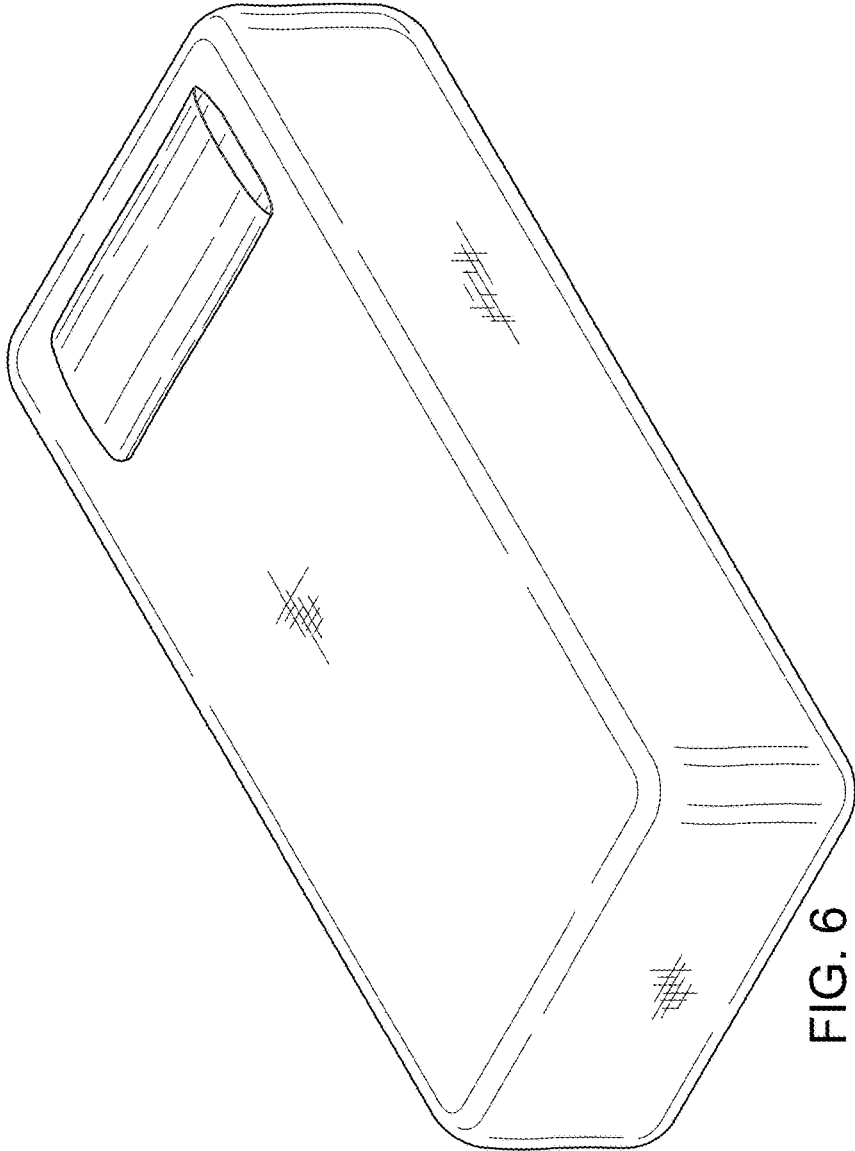


FIG. 6

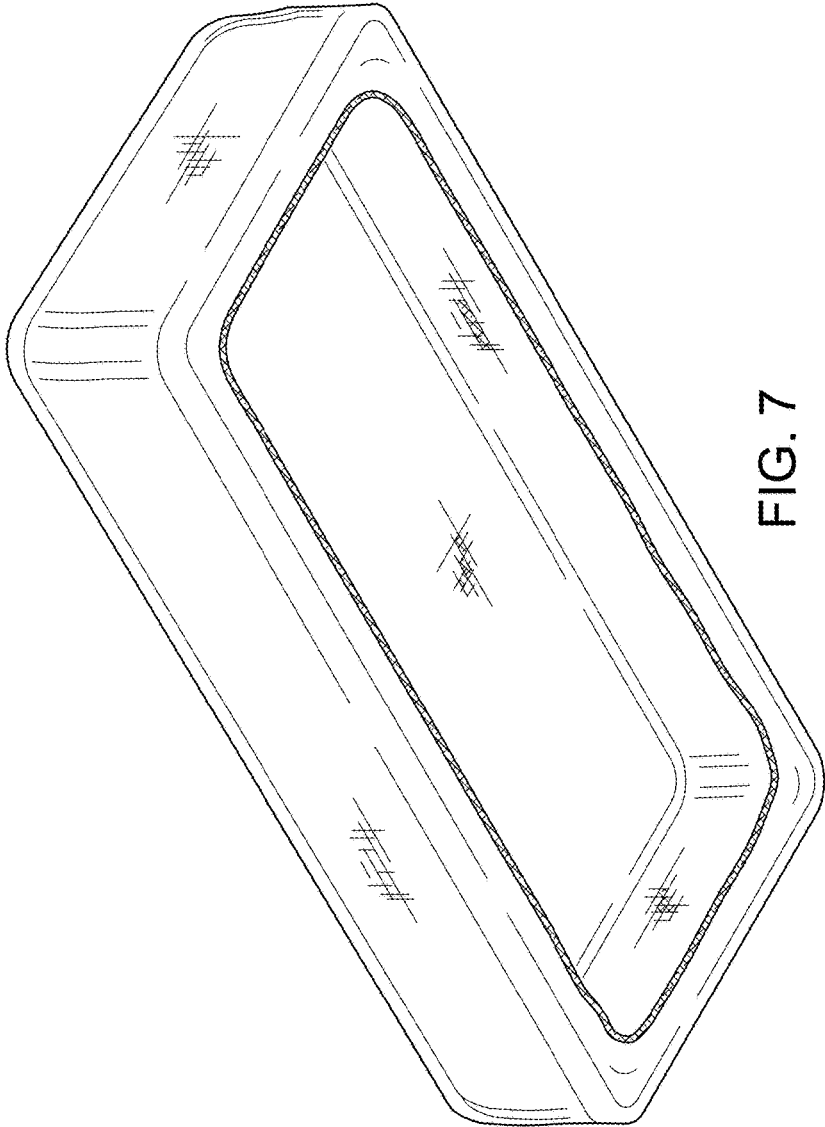


FIG. 7