



US00D707467S

(12) **United States Design Patent**
Allman et al.

(10) **Patent No.:** **US D707,467 S**

(45) **Date of Patent:** **** Jun. 24, 2014**

(54) **MATTRESS BED CUSHION**

OTHER PUBLICATIONS

(71) Applicants: **Michael Allman**, Wilson, NC (US);
Mark Stearley, Cary, NC (US); **Julian**
Thomas Young, Zebulon, NC (US);
Stephen C. Kokenes, Raleigh, NC (US);
Edouard Lauer, Zebulon, NC (US)

International Search Report for PCT/US2010/040003 mailed Aug. 30, 2010, 10 pages.

(Continued)

(72) Inventors: **Michael Allman**, Wilson, NC (US);
Mark Stearley, Cary, NC (US); **Julian**
Thomas Young, Zebulon, NC (US);
Stephen C. Kokenes, Raleigh, NC (US);
Edouard Lauer, Zebulon, NC (US)

Primary Examiner — Janice Seeger

(74) *Attorney, Agent, or Firm* — Withrow & Terranova, PLLC

(73) Assignee: **Noel Group LLC**, Zebulon, NC (US)

(57) **CLAIM**

The ornamental design for mattress bed cushion, as shown and described.

(**) Term: **14 Years**

DESCRIPTION

(21) Appl. No.: **29/436,784**

(22) Filed: **Nov. 9, 2012**

(51) **LOC (10) CL.** **06-09**

(52) **U.S. Cl.**

USPC **D6/606; D6/601**

(58) **Field of Classification Search**

USPC **D6/601, 605, 606; 5/716, 717, 727,**
5/720, 740; 267/153; D25/119–125, 136

See application file for complete search history.

(56) **References Cited**

U.S. PATENT DOCUMENTS

831,441 A	9/1906	Johnson
1,579,074 A	3/1926	Burton
1,930,285 A	10/1933	Robinson
2,192,516 A	3/1940	Cunnington
2,241,644 A	5/1941	Nichols et al.
2,369,000 A	2/1945	Page

(Continued)

FOREIGN PATENT DOCUMENTS

CN	2137475 Y	7/1993
CN	2302709 Y	1/1999

(Continued)

FIG. 1 is a top perspective view of an exemplary mattress bed cushion;

FIG. 2 is a top view of the mattress bed cushion of FIG. 1;

FIG. 3 is a bottom view of the mattress bed cushion of FIG. 1;

FIG. 4 is a left side view of the mattress bed cushion of FIG. 1, and a right side view is identical thereto;

FIG. 5 is a front view of the mattress bed cushion of FIG. 1, and a rear view is identical thereto;

FIG. 6 is a sectional top perspective view of the exemplary mattress bed cushion of FIG. 1;

FIG. 7 is a sectional top view of the mattress bed cushion of FIG. 1;

FIG. 8 is a sectional bottom view of the mattress bed cushion of FIG. 1;

FIG. 9 is a sectional left side view of the mattress bed cushion of FIG. 1, and a sectional right side view is identical thereto; and,

FIG. 10 is a sectional front view of the mattress bed cushion of FIG. 1, and a sectional rear view is identical thereto.

The mattress bed cushion is shown with symbolic breaks in its length. The appearance of any portion of the article between the break lines forms no part of the claimed design. Broken lines in the drawings are for illustrative purposes only and do not form part of the claimed design.

The mattress bed cushion is shown with symbolic breaks in its length. The appearance of any portion of the article between the break lines forms no part of the claimed design. Broken lines in the drawings are for illustrative purposes only and do not form part of the claimed design.

The mattress bed cushion is shown with symbolic breaks in its length. The appearance of any portion of the article between the break lines forms no part of the claimed design. Broken lines in the drawings are for illustrative purposes only and do not form part of the claimed design.

The mattress bed cushion is shown with symbolic breaks in its length. The appearance of any portion of the article between the break lines forms no part of the claimed design. Broken lines in the drawings are for illustrative purposes only and do not form part of the claimed design.

The mattress bed cushion is shown with symbolic breaks in its length. The appearance of any portion of the article between the break lines forms no part of the claimed design. Broken lines in the drawings are for illustrative purposes only and do not form part of the claimed design.

The mattress bed cushion is shown with symbolic breaks in its length. The appearance of any portion of the article between the break lines forms no part of the claimed design. Broken lines in the drawings are for illustrative purposes only and do not form part of the claimed design.

The mattress bed cushion is shown with symbolic breaks in its length. The appearance of any portion of the article between the break lines forms no part of the claimed design. Broken lines in the drawings are for illustrative purposes only and do not form part of the claimed design.

The mattress bed cushion is shown with symbolic breaks in its length. The appearance of any portion of the article between the break lines forms no part of the claimed design. Broken lines in the drawings are for illustrative purposes only and do not form part of the claimed design.

The mattress bed cushion is shown with symbolic breaks in its length. The appearance of any portion of the article between the break lines forms no part of the claimed design. Broken lines in the drawings are for illustrative purposes only and do not form part of the claimed design.

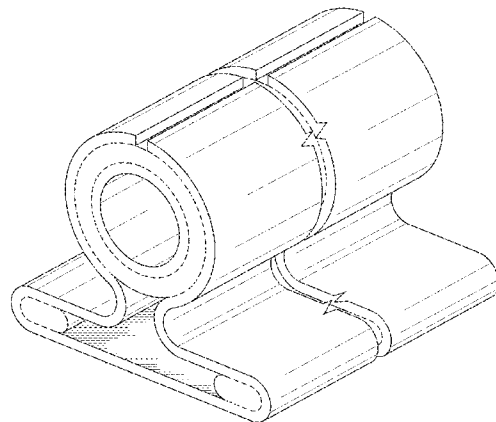
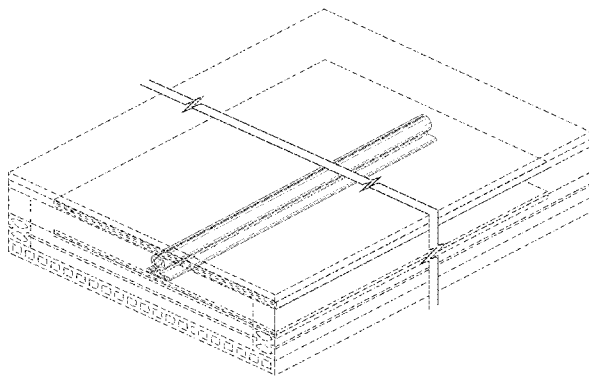
The mattress bed cushion is shown with symbolic breaks in its length. The appearance of any portion of the article between the break lines forms no part of the claimed design. Broken lines in the drawings are for illustrative purposes only and do not form part of the claimed design.

The mattress bed cushion is shown with symbolic breaks in its length. The appearance of any portion of the article between the break lines forms no part of the claimed design. Broken lines in the drawings are for illustrative purposes only and do not form part of the claimed design.

The mattress bed cushion is shown with symbolic breaks in its length. The appearance of any portion of the article between the break lines forms no part of the claimed design. Broken lines in the drawings are for illustrative purposes only and do not form part of the claimed design.

The mattress bed cushion is shown with symbolic breaks in its length. The appearance of any portion of the article between the break lines forms no part of the claimed design. Broken lines in the drawings are for illustrative purposes only and do not form part of the claimed design.

1 Claim, 9 Drawing Sheets



(56)

References Cited

U.S. PATENT DOCUMENTS

2,429,508	A	10/1947	Belaieff	4,879,776	A	11/1989	Farley
2,604,642	A	7/1952	Marco	4,952,450	A	8/1990	Noel
2,659,418	A	11/1953	Berman	D310,460	S	9/1990	Vergnano
2,682,125	A	6/1954	Coffield	4,955,096	A	9/1990	Gilroy et al.
2,835,313	A	5/1958	Dodge	4,957,798	A	9/1990	Bogdany
2,835,906	A	5/1958	Robbins	4,966,919	A	10/1990	Williams, Jr. et al.
2,917,807	A	12/1959	Scholl	4,972,535	A	11/1990	Goldman
2,955,056	A	10/1960	Knox	4,997,804	A	3/1991	Pekala
3,026,544	A	3/1962	Persicke et al.	4,999,868	A	3/1991	Kraft
3,047,888	A	8/1962	Shecter et al.	5,022,111	A	6/1991	Fenner
3,061,460	A	10/1962	Schickedanz	5,031,261	A	7/1991	Fenner, Sr.
3,107,377	A	10/1963	Nathan	5,037,859	A	8/1991	Williams, Jr. et al.
3,114,722	A	12/1963	Einhorn et al.	5,038,433	A	8/1991	Farley
3,188,665	A	6/1965	Snyder	5,047,436	A	9/1991	Hill et al.
3,222,697	A	12/1965	Scheermesser	5,070,560	A	12/1991	Wilkinson
3,283,357	A	11/1966	Decker et al.	D322,907	S	1/1992	Raburn
3,287,748	A	11/1966	Thomas et al.	5,083,335	A	1/1992	Krouskop et al.
3,319,272	A	5/1967	Eller	5,086,084	A	2/1992	Michaelson
3,483,069	A	12/1969	Cairns et al.	5,087,514	A	2/1992	Graefe
3,531,552	A	9/1970	Getz et al.	5,098,778	A	3/1992	Minnick
3,551,924	A	1/1971	Frye, Sr.	5,114,773	A	5/1992	Bogdany et al.
3,591,444	A	7/1971	Hoppe	5,118,555	A	6/1992	Horovitz
3,607,596	A	9/1971	Fairbanks	5,132,549	A	7/1992	Allan et al.
3,607,797	A	9/1971	Rubens et al.	5,136,740	A	8/1992	Kraft et al.
3,627,622	A	12/1971	Vega	5,138,730	A	8/1992	Masuda
3,691,569	A	9/1972	Ikada	5,206,082	A	4/1993	Malone
3,728,206	A	4/1973	Buese	5,248,550	A	9/1993	Turpin et al.
3,813,462	A	5/1974	Roberts	5,272,001	A	12/1993	Weisman et al.
3,846,857	A	11/1974	Weinstock	5,274,846	A	1/1994	Kolsky et al.
3,878,133	A	4/1975	Rubens	5,280,890	A	1/1994	Wydra
3,922,429	A	11/1975	Welch et al.	5,327,597	A	7/1994	Rothbard
3,989,781	A	11/1976	Chant	5,366,999	A	11/1994	Giez et al.
4,051,210	A	9/1977	Wallenberger	5,369,826	A	12/1994	Ikeda
D247,373	S	2/1978	Puccio	5,389,317	A	2/1995	Grimmer
4,073,020	A	2/1978	Stalter et al.	5,393,588	A	2/1995	Weddendorf
4,106,139	A	8/1978	Southard	5,395,860	A	3/1995	Leung et al.
4,110,857	A	9/1978	Banister	5,415,822	A	5/1995	Cook
4,134,166	A	1/1979	Schuder	5,418,257	A	5/1995	Weisman et al.
4,143,435	A	3/1979	Masuda	5,430,901	A	7/1995	Farley
4,146,562	A	3/1979	Fukushima et al.	5,451,451	A	9/1995	Minnick
4,159,355	A	6/1979	Kaufman	5,488,746	A	2/1996	Hudson
4,169,184	A	9/1979	Pufahl	5,491,852	A	2/1996	Maucher
4,213,214	A	7/1980	Gilhooley	5,492,662	A	2/1996	Kargol et al.
4,224,374	A	9/1980	Priest	5,494,627	A	2/1996	Kargol et al.
4,230,521	A	10/1980	Cobb et al.	5,513,402	A	5/1996	Schwartz
4,260,660	A	4/1981	McCarter	5,544,908	A	8/1996	Fezio
4,276,107	A	6/1981	Pufahl	5,642,557	A	7/1997	Clews
4,279,953	A	7/1981	Barden et al.	5,643,139	A	7/1997	Stout et al.
4,281,197	A	7/1981	Oblinger	5,686,167	A	11/1997	Rudy
4,348,243	A	9/1982	Craubner	5,701,623	A	12/1997	May
4,350,734	A	9/1982	Hammond	5,721,035	A	2/1998	Dunn
4,370,767	A	2/1983	Fraser	5,740,574	A	4/1998	Piraino et al.
4,393,116	A	7/1983	Taylor	D394,578	S	5/1998	Raburn
4,397,053	A	8/1983	Fanti	5,755,901	A	5/1998	Ormachea
4,432,110	A	2/1984	Sutton	5,801,211	A	9/1998	Tornero et al.
4,438,221	A	3/1984	Fracalossi et al.	5,806,796	A	9/1998	Healey
4,524,473	A	6/1985	Fanti	D401,451	S	11/1998	Sherman
4,525,386	A	6/1985	Weisman	D406,051	S	2/1999	Ross
4,537,825	A	8/1985	Yardley	5,869,172	A	2/1999	Caldwell
4,569,861	A	2/1986	Smith et al.	5,876,652	A	3/1999	Rorabaugh et al.
4,603,445	A	8/1986	Spann	5,919,413	A	7/1999	Avila
4,618,517	A	10/1986	Simko, Jr.	5,944,389	A	8/1999	Zenba et al.
4,620,337	A	11/1986	Williams et al.	5,945,461	A	8/1999	Gosiewski et al.
4,631,768	A	12/1986	Ferrall	5,960,497	A	10/1999	Castellino et al.
4,683,246	A	7/1987	Davis et al.	5,977,271	A	11/1999	McKay et al.
4,700,447	A	10/1987	Spann	5,987,668	A	11/1999	Ackley
4,713,854	A	12/1987	Graebe	D418,394	S	1/2000	King
4,722,158	A	2/1988	Urdaneta	6,026,527	A	2/2000	Pearce et al.
4,741,058	A	5/1988	Williams et al.	6,108,835	A	8/2000	Hwang et al.
4,755,408	A	7/1988	Noel	6,129,978	A	10/2000	Caldwell
4,780,167	A	10/1988	Hill	6,132,323	A	10/2000	Smith et al.
4,796,316	A	1/1989	Boselli	6,139,956	A	10/2000	Endoh et al.
4,828,325	A	5/1989	Brooks	6,212,720	B1	4/2001	Antinori et al.
4,837,060	A	6/1989	Bambara et al.	6,237,173	B1	5/2001	Schlichter et al.
4,837,881	A	6/1989	Kondo et al.	6,258,310	B1	7/2001	Sardanopoli et al.
				6,262,137	B1	7/2001	Kozma et al.
				6,284,346	B1	9/2001	Sheridan
				6,306,235	B1	10/2001	Henderson
				6,309,235	B1	10/2001	Argaut

(56)

References Cited

U.S. PATENT DOCUMENTS

6,317,912 B1	11/2001	Graebe et al.	D693,149 S	11/2013	Allman et al.
6,323,251 B1	11/2001	Perez et al.	D694,041 S	11/2013	Sobran et al.
D456,197 S	4/2002	McClure et al.	D694,552 S	12/2013	Allman et al.
6,406,780 B1	6/2002	Sutherland	D694,553 S	12/2013	Sobran
6,425,153 B1	7/2002	Reswick	D694,554 S	12/2013	Yiannaki et al.
D467,118 S	12/2002	McClure et al.	D697,337 S	1/2014	Young
6,537,405 B1	3/2003	Henderson et al.	2001/0029632 A1	10/2001	Parvin
6,555,214 B1	4/2003	Yates	2001/0044972 A1	11/2001	Kutschi
6,574,814 B2	6/2003	Collard et al.	2002/0054996 A1	5/2002	Rheenen
6,596,389 B1	7/2003	Hallett et al.	2002/0162173 A1	11/2002	Formenti
6,612,556 B2	9/2003	Petrina	2002/0185905 A1	12/2002	Cassinelli
6,643,876 B2	11/2003	Visser et al.	2003/0177584 A1	9/2003	Boyd
6,658,683 B2	12/2003	Parvin	2003/0194546 A1	10/2003	McCabe
6,687,935 B2	2/2004	Reeder et al.	2003/0207634 A1	11/2003	Holeschovsky
6,691,482 B1	2/2004	Ault	2004/0010855 A1	1/2004	Piraino
6,701,551 B1	3/2004	Antinori	2004/0126558 A1	7/2004	Williams et al.
6,740,381 B2	5/2004	Day et al.	2004/0133987 A1	7/2004	Reeder et al.
6,743,830 B2	6/2004	Soane et al.	2004/0137212 A1	7/2004	Ochoa et al.
6,807,698 B2	10/2004	Torbet et al.	2004/0172766 A1	9/2004	Formenti
6,866,915 B2	3/2005	Landvik	2004/0187217 A1	9/2004	Barman et al.
6,868,569 B2	3/2005	VanSteenburg	2005/0115003 A1	6/2005	Torbet et al.
6,920,287 B1	7/2005	Hinds et al.	2005/0188467 A1	9/2005	Woolfson
6,949,588 B2	9/2005	Park	2005/0192368 A1	9/2005	Miller et al.
6,967,833 B2	11/2005	Boykin et al.	2006/0068169 A1	3/2006	Hanada et al.
7,045,206 B1	5/2006	Granata et al.	2006/0123553 A1	6/2006	Jansen
7,059,001 B2	6/2006	Woolfson	2006/0127648 A1	6/2006	De Luca
7,076,822 B2	7/2006	Pearce	2006/0194892 A1	8/2006	Ramesh et al.
7,086,108 B1	8/2006	Litvak	2006/0195988 A1	9/2006	Gladney
7,090,911 B2	8/2006	Lascelles	2006/0272098 A1	12/2006	Hochschild
7,093,619 B2	8/2006	Watanabe et al.	2006/0288490 A1	12/2006	Mikkelsen et al.
7,108,252 B2	9/2006	Jayakumaran	2006/0290039 A1	12/2006	Cao et al.
7,159,620 B2	1/2007	Kissell	2007/0022540 A1	2/2007	Hochschild
7,166,646 B2	1/2007	Loh et al.	2007/0044906 A1	3/2007	Park
7,173,070 B2	2/2007	Koffler	2007/0094801 A1	5/2007	Kuo
7,191,483 B2	3/2007	Hochschild	2007/0221890 A1	9/2007	Gan
7,281,917 B2	10/2007	Hannen	2007/0289069 A1	12/2007	Wells
7,285,316 B2	10/2007	Meyer-Ahrens et al.	2008/0014387 A1	1/2008	Murphy et al.
7,334,280 B1	2/2008	Swartzburg et al.	2008/0201860 A1	8/2008	Malzl
7,386,903 B2	6/2008	Hochschild	2008/0299379 A1	12/2008	Maurer et al.
7,393,577 B2	7/2008	Day et al.	2008/0313815 A1	12/2008	Guesquiere
7,426,767 B2	9/2008	Mossbeck	2009/0011203 A1	1/2009	Mock et al.
D579,586 S	10/2008	Mattingly	2009/0013472 A1	1/2009	Koffler et al.
7,452,585 B1	11/2008	Wong et al.	2009/0047495 A1	2/2009	Hubbs
7,490,819 B2	2/2009	Molitor	2009/0139033 A1	6/2009	Gladney
7,491,753 B2	2/2009	Krishnan	2009/0142551 A1	6/2009	Fox et al.
7,496,981 B2	3/2009	Cucurull	2009/0183314 A1	7/2009	Demoss
7,607,911 B2	10/2009	Sperry et al.	2009/0291290 A1	11/2009	Zhang et al.
7,793,372 B2	9/2010	Lean et al.	2010/0018347 A1	1/2010	Holden et al.
7,794,827 B2	9/2010	Palmer et al.	2010/0021690 A1	1/2010	McCarthy
7,845,035 B2	12/2010	Letton et al.	2010/0030316 A1	2/2010	Prindle et al.
D640,535 S	6/2011	Austro	2010/0047550 A1	2/2010	Prissok et al.
8,034,445 B2	10/2011	Landvik et al.	2010/0143652 A1	6/2010	Stockton et al.
8,127,383 B2	3/2012	Gladney et al.	2010/0146706 A1	6/2010	Siegner et al.
D663,152 S	7/2012	Shive	2010/0183847 A1	7/2010	Pearce et al.
8,307,482 B2	11/2012	Gladney et al.	2010/0218319 A1	9/2010	Moule et al.
D673,402 S	1/2013	Kuzyk	2010/0221521 A1	9/2010	Wagner et al.
D675,051 S	1/2013	Sobran et al.	2010/0223732 A1	9/2010	Allman et al.
8,346,373 B2	1/2013	Thompson-Nauman et al.	2010/0223734 A1	9/2010	Oh
8,356,373 B2	1/2013	Allman et al.	2010/0237082 A1	9/2010	Fernandez
D675,856 S	2/2013	Yiannaki	2010/0304104 A1	12/2010	Nagasaki et al.
8,418,297 B2	4/2013	Mikkelsen et al.	2010/0319137 A1	12/2010	Witherell et al.
D688,069 S *	8/2013	Henderson et al. D6/606	2010/0325806 A1	12/2010	Letton et al.
D690,536 S	10/2013	Young et al.	2011/0049327 A1	3/2011	Young et al.
D691,400 S	10/2013	Young	2011/0061168 A1	3/2011	Farley
D691,401 S	10/2013	Sobran	2011/0061168 A1	3/2011	Farley
D692,690 S	11/2013	Sobran	2011/0179579 A1	7/2011	Henderson et al.
D692,691 S	11/2013	Henderson et al.	2011/0197363 A1	8/2011	Kokenes et al.
D692,692 S	11/2013	Allman et al.	2011/0252572 A1	10/2011	Morrison
D692,693 S	11/2013	Allman et al.	2012/0180225 A1	7/2012	Gladney et al.
D692,694 S	11/2013	Allman et al.	2012/0233784 A1	9/2012	Wood
D693,144 S	11/2013	Sobran	2012/0272457 A1	11/2012	Allman et al.
D693,145 S	11/2013	Young et al.	2012/0284928 A1	11/2012	Henderson et al.
D693,146 S	11/2013	Allman et al.	2013/0098791 A1	4/2013	Saunders et al.
D693,147 S	11/2013	Henderson et al.			
D693,148 S	11/2013	Young et al.			

FOREIGN PATENT DOCUMENTS

CN	1233444 A	11/1999
CN	2432041 Y	5/2001
CN	2841067 Y	11/2006
DE	3937214 A1	5/1991

(56)

References Cited

FOREIGN PATENT DOCUMENTS

EP	0349620	A1	1/1990
EP	0209453	B2	9/1993
EP	0996654	B1	5/2000
EP	1825996	A1	8/2007
EP	1865812	A1	12/2007
EP	1914274	A1	4/2008
EP	2095745	A1	9/2009
EP	2247223	B1	3/2013
GB	1423541	A	2/1976
GB	2225229	A	5/1990
WO	9514136	A1	5/1995
WO	9522922	A1	8/1995
WO	02075203	A1	9/2002
WO	02077513	A1	10/2002
WO	2004041659	A2	5/2004
WO	2008100728	A2	8/2008
WO	2009014657	A1	1/2009
WO	2010075231	A1	7/2010
WO	2011150080	A1	12/2011
WO	2012033985	A1	3/2012
WO	2012076978	A1	6/2012
WO	2012094466	A1	7/2012
WO	2012094468	A1	7/2012
WO	2012145320	A1	10/2012
WO	2012155131	A1	11/2012
WO	2012155132	A1	11/2012
WO	2013012904	A1	1/2013
WO	2013040543	A2	3/2013
WO	2013059767	A1	4/2013
WO	2013106066	A1	7/2013
WO	2013112176	A1	8/2013
WO	2013112840	A1	8/2013
WO	2014013083	A1	1/2014

OTHER PUBLICATIONS

Non-final Office Action for U.S. Appl. No. 12/893,265 mailed May 15, 2012, 15 pages.

Chinese Office Action for patent application 20102187662.1 mailed Oct. 21, 2010, 3 pages.

Non-final Office Action for U.S. Appl. No. 12/823,653 mailed Mar. 7, 2012, 6 pages.

Kelmpner, Daniel et al., "3.3 Open- and Closed-Cell Foamed Plastics," in Handbook of Polymeric Foam and Foam Technology, Second Edition, Hanser Gardner Publications, Inc., Cincinnati, OH, Apr. 2004, pp. 22, 39 and 59.

Smock, D., "One-step SkinForm process went live at NPE2012," Plasticstoday.com, Apr. 13, 2012, 2 pages, Accessed Apr. 18, 2012.

European Search Report for European Patent Application No. 10749317.3 mailed Oct. 30, 2012, 7 pages.

International Preliminary Report on Patentability for PCT/US2011/024759 mailed Aug. 14, 2012, 8 pages.

International Search Report and Written Opinion for PCT/US2011/024759 mailed Apr. 7, 2011, 12 pages.

International Search Report for PCT/US2012/057917 mailed Dec. 21, 2012, 11 pages.

Non-final Office Action for U.S. Appl. No. 12/716,804 mailed Jun. 21, 2012, 10 pages.

Notice of Allowance for U.S. Appl. No. 12/716,804 mailed Dec. 11, 2012, 9 pages.

Notice of Allowance for U.S. Appl. No. 29/436,787 mailed Jul. 5, 2013, 8 pages.

Notice of Allowance for U.S. Appl. No. 29/436,790 mailed Jul. 5, 2013, 8 pages.

Notice of Allowance for U.S. Appl. No. 29/436,782 mailed Jul. 8, 2013, 8 pages.

Notice of Allowance for U.S. Appl. No. 29/413,103 mailed Jul. 9, 2013, 8 pages.

Notice of Allowance for U.S. Appl. No. 29/428,120 mailed Jul. 23, 2013, 7 pages.

Non-final Office Action for U.S. Appl. No. 29/426,274 mailed Sep. 13, 2013, 5 pages.

Canadian Office Action for Canadian patent application 2,783,886 mailed Mar. 21, 2013, 3 pages.

Official Action for Mexican patent application MX/a/2011/009080 mailed Mar. 22, 2013, 6 pages.

International Search Report for PCT/US2012/035564 mailed Mar. 26, 2013, 13 pages.

Notice of Allowance for U.S. Appl. No. 29/436,783 mailed Mar. 14, 2013, 6 pages.

Non-final Office Action for U.S. Appl. No. 29/436,793 mailed Mar. 15, 2013, 5 pages.

Non-final Office Action for U.S. Appl. No. 29/436,801 mailed Mar. 15, 2013, 6 pages.

Non-final Office Action for U.S. Appl. No. 29/436,831 mailed Mar. 15, 2013, 5 pages.

Non-final Office Action for U.S. Appl. No. 29/436,833 mailed Mar. 15, 2013, 5 pages.

Non-final Office Action for U.S. Appl. No. 29/436,847 mailed Mar. 15, 2013, 5 pages.

Non-final Office Action for U.S. Appl. No. 29/436,860 mailed Mar. 15, 2013, 5 pages.

Final Office Action for U.S. Appl. No. 12/893,265 mailed Mar. 15, 2013, 12 pages.

Notice of Allowance for U.S. Appl. No. 29/436,781 mailed Mar. 19, 2013, 7 pages.

Notice of Allowance for U.S. Appl. No. 29/436,786 mailed Mar. 19, 2013, 8 pages.

Non-final Office Action for U.S. Appl. No. 29/436,792 mailed Mar. 19, 2013, 5 pages.

Non-final Office Action for U.S. Appl. No. 29/436,806 mailed Mar. 21, 2013, 6 pages.

Notice of Allowance for U.S. Appl. No. 29/436,781 mailed May 24, 2013, 8 pages.

Notice of Allowance for U.S. Appl. No. 29/436,782 mailed May 24, 2013, 8 pages.

Notice of Allowance for U.S. Appl. No. 29/436,783 mailed May 28, 2013, 8 pages.

Notice of Allowance for U.S. Appl. No. 29/436,786 mailed May 28, 2013, 8 pages.

Notice of Allowance for U.S. Appl. No. 29/436,787 mailed May 13, 2013, 8 pages.

Notice of Allowance for U.S. Appl. No. 29/436,790 mailed May 28, 2013, 8 pages.

Non-final Office Action for U.S. Appl. No. 29/436,795 mailed May 23, 2013, 6 pages.

Non-final Office Action for U.S. Appl. No. 29/436,799 mailed May 23, 2013, 6 pages.

Non-final Office Action for U.S. Appl. No. 29/436,842 mailed May 23, 2013, 6 pages.

Notice of Allowance for U.S. Appl. No. 29/413,103 mailed May 2, 2013, 7 pages.

Non-final Office Action for U.S. Appl. No. 29/426,274 mailed May 14, 2013, 4 pages.

Non-final Office Action for U.S. Appl. No. 13/026,979 mailed May 17, 2013, 11 pages.

Invitation to Pay Additional Fees for PCT/US2012/035564 mailed Jan. 17, 2013, 7 pages.

Non-final Office Action for U.S. Appl. No. 29/413,103 mailed Jan. 8, 2013, 5 pages.

International Preliminary Report on Patentability for PCT/US2012/035564 mailed Nov. 7, 2013, 8 pages.

Final Office Action for U.S. Appl. No. 12/893,265 mailed Nov. 4, 2013, 10 pages.

Final Office Action for U.S. Appl. No. 13/026,979 mailed Nov. 8, 2013, 9 pages.

Canadian Office Action for Canadian patent application 2,783,886 mailed Dec. 9, 2013, 2 pages.

Examination Report for European Patent Application 10749317.3 mailed Nov. 25, 2013, 5 pages.

Non-final Office Action for U.S. Appl. No. 29/436,864 mailed Dec. 13, 2013, 6 pages.

Notice of Allowance for U.S. Appl. No. 29/436,789 mailed Dec. 26, 2013, 8 pages.

(56)

References Cited

OTHER PUBLICATIONS

Notice of Allowance for U.S. Appl. No. 29/466,455 mailed Dec. 16, 2013, 8 pages.

Advisory Action for U.S. Appl. No. 13/026,979 mailed Jan. 14, 2014, 2 pages.

Notice of Allowance for U.S. Appl. No. 29/466,455 mailed Feb. 7, 2014, 8 pages.

Notice of Allowance for U.S. Appl. No. 29/436,797 mailed Feb. 11, 2014, 6 pages.

International Search Report for PCT/US2013/067427 mailed Mar. 18, 2014, 10 pages.

Advisory Action for U.S. Appl. No. 12/893,265 mailed Apr. 7, 2014, 3 pages.

International Preliminary Report on Patentability for PCT/US2012/057917 mailed Apr. 10, 2014, 10 pages.

* cited by examiner

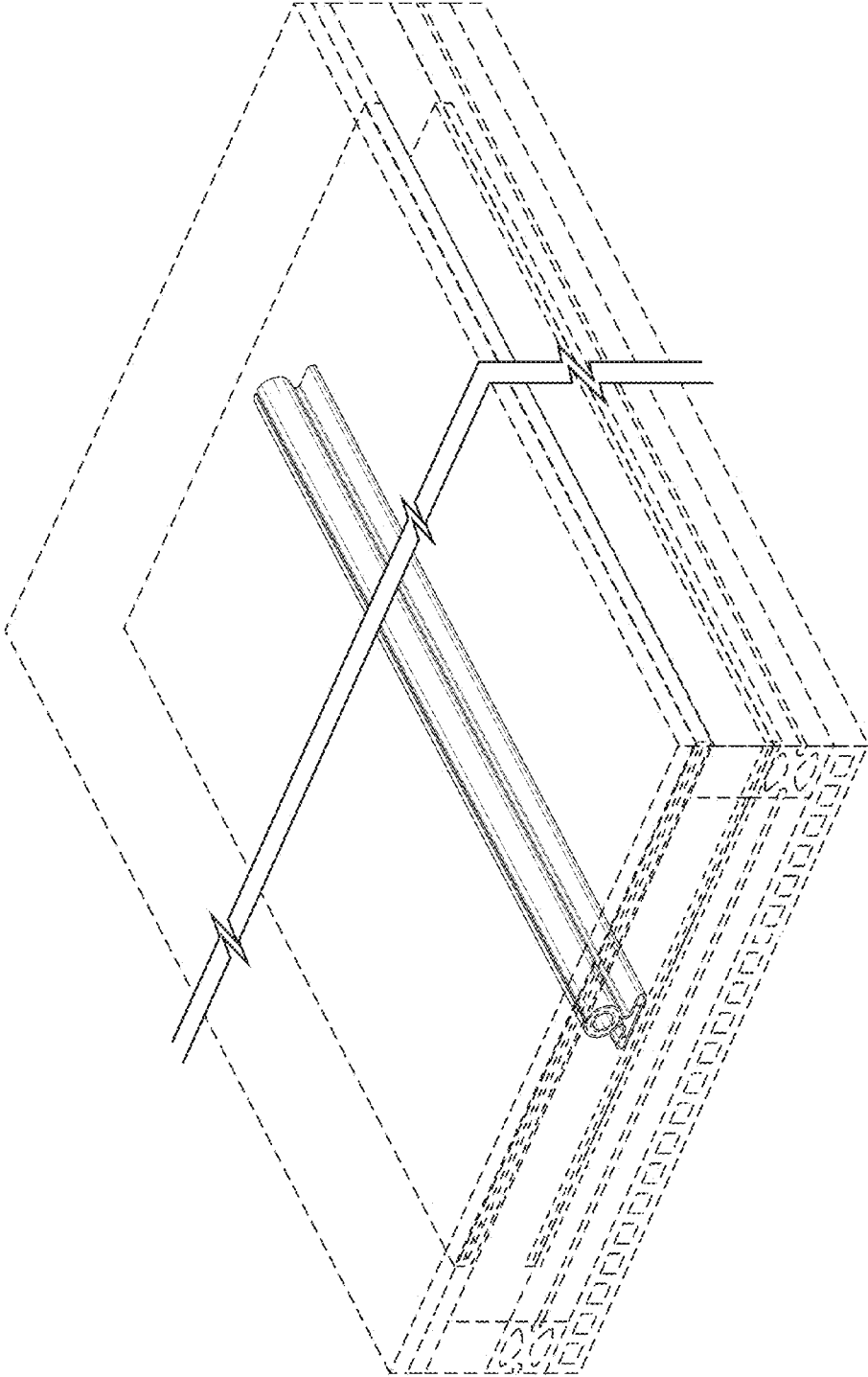


FIG. 1

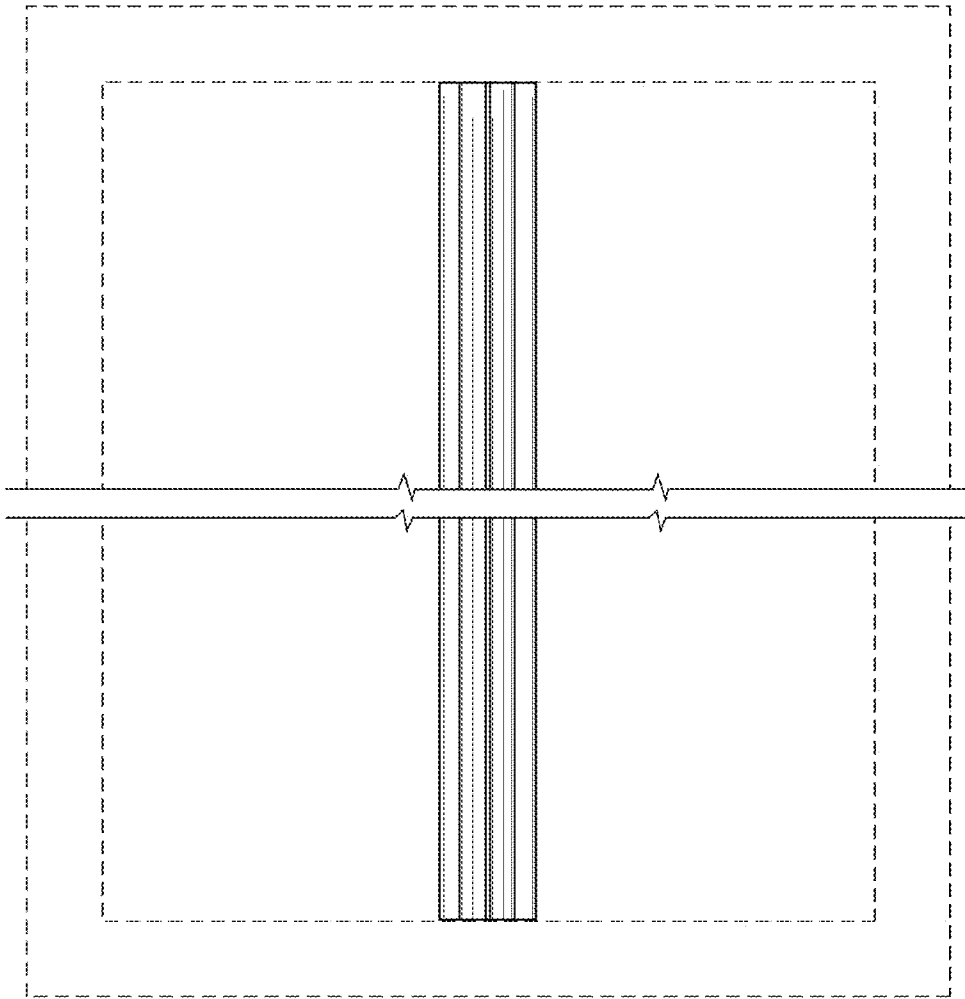


FIG. 2

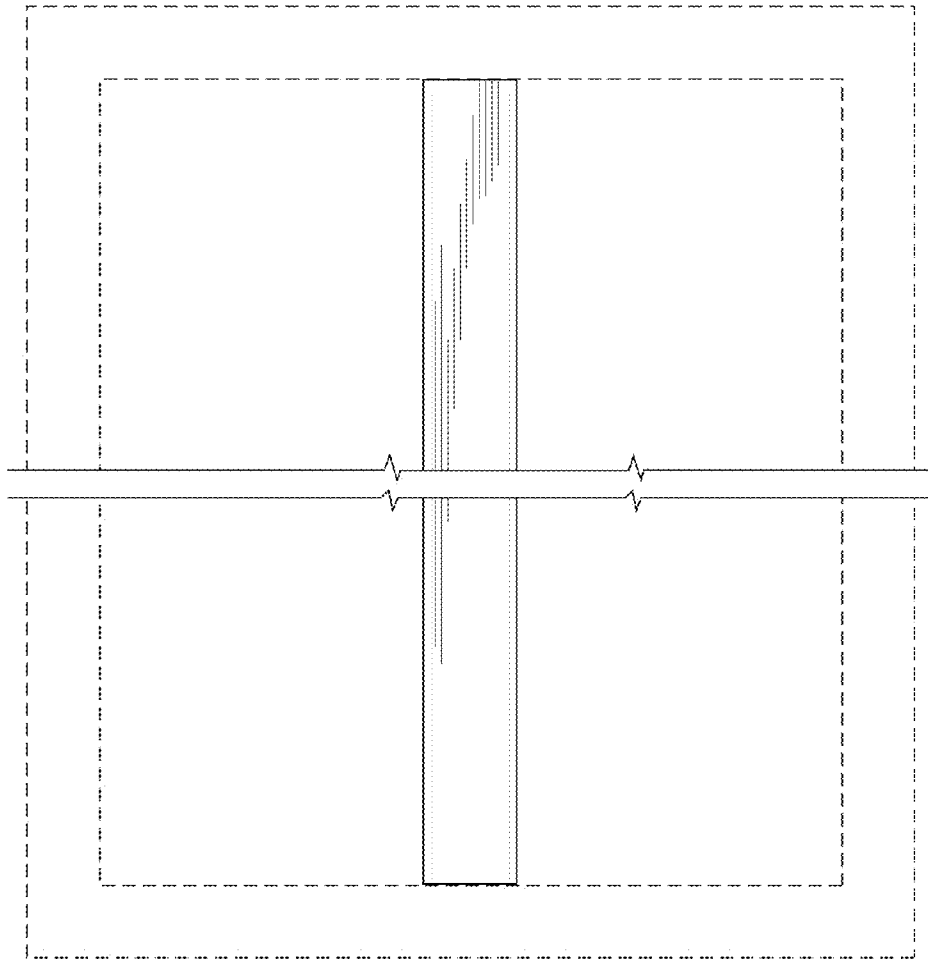


FIG. 3

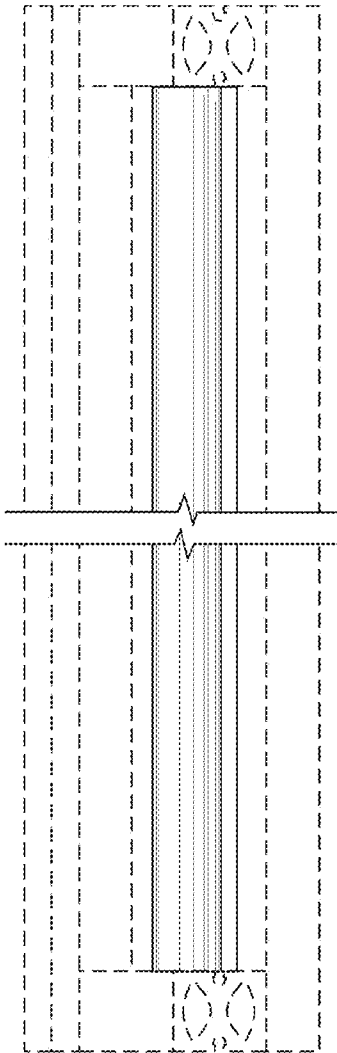


FIG. 4

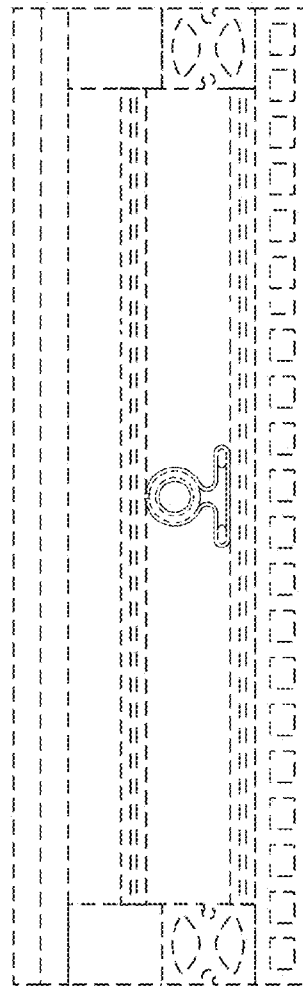


FIG. 5

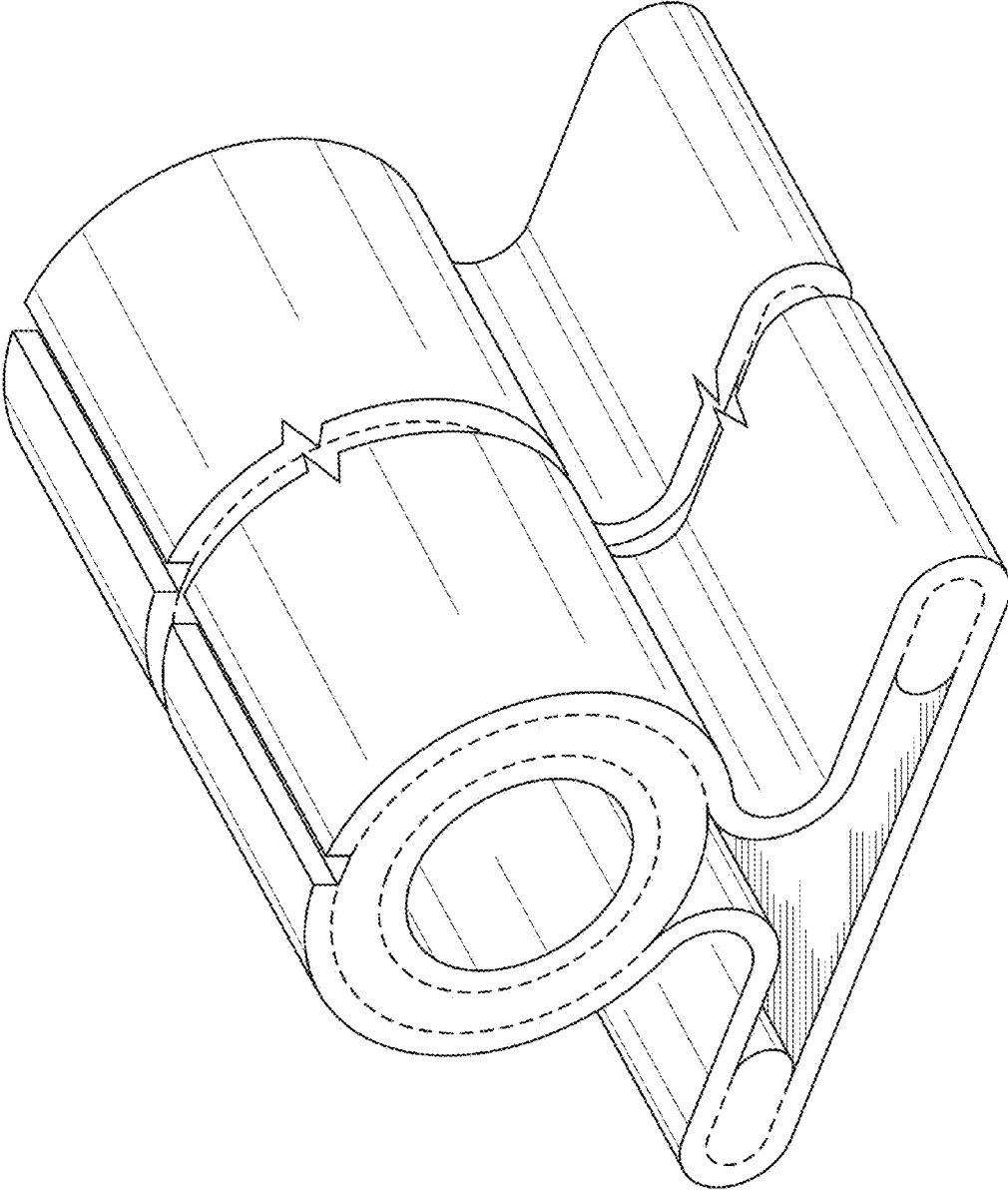


FIG. 6

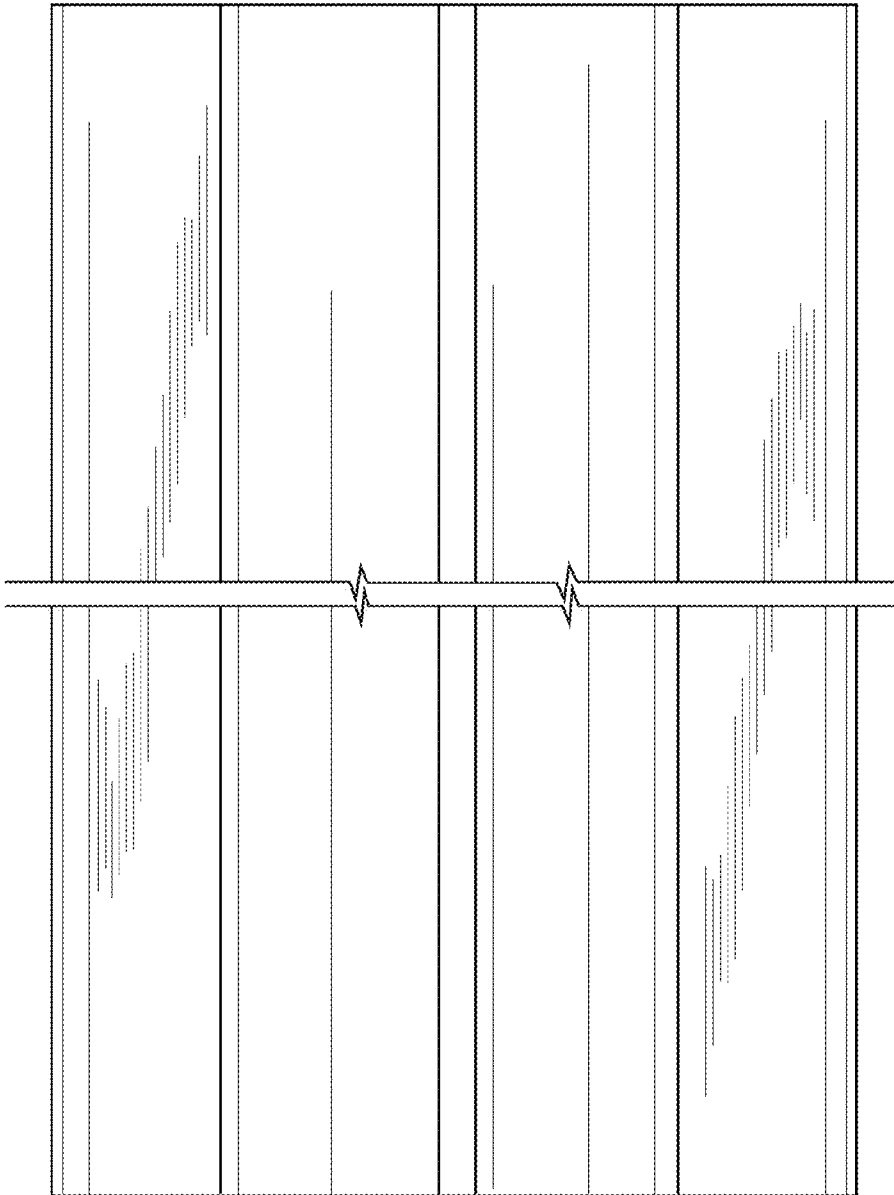


FIG. 7

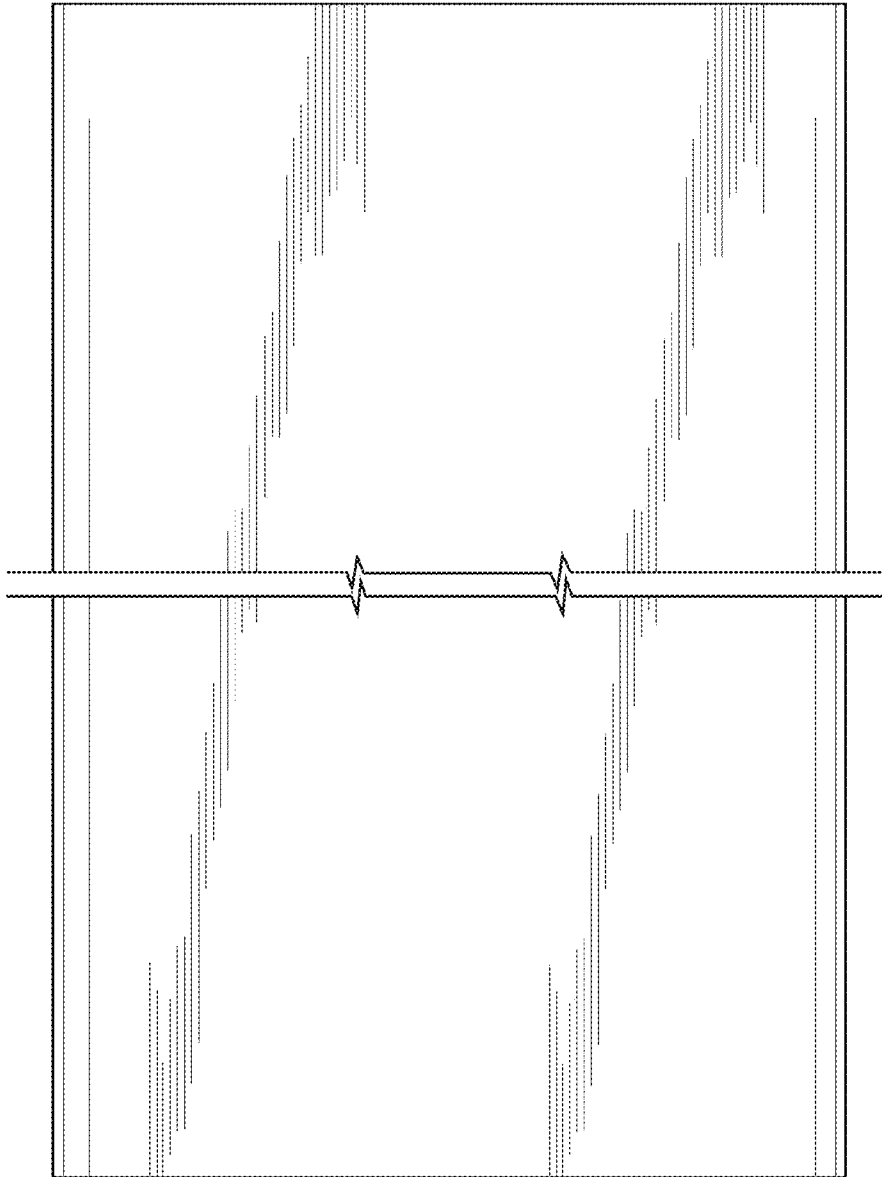


FIG. 8

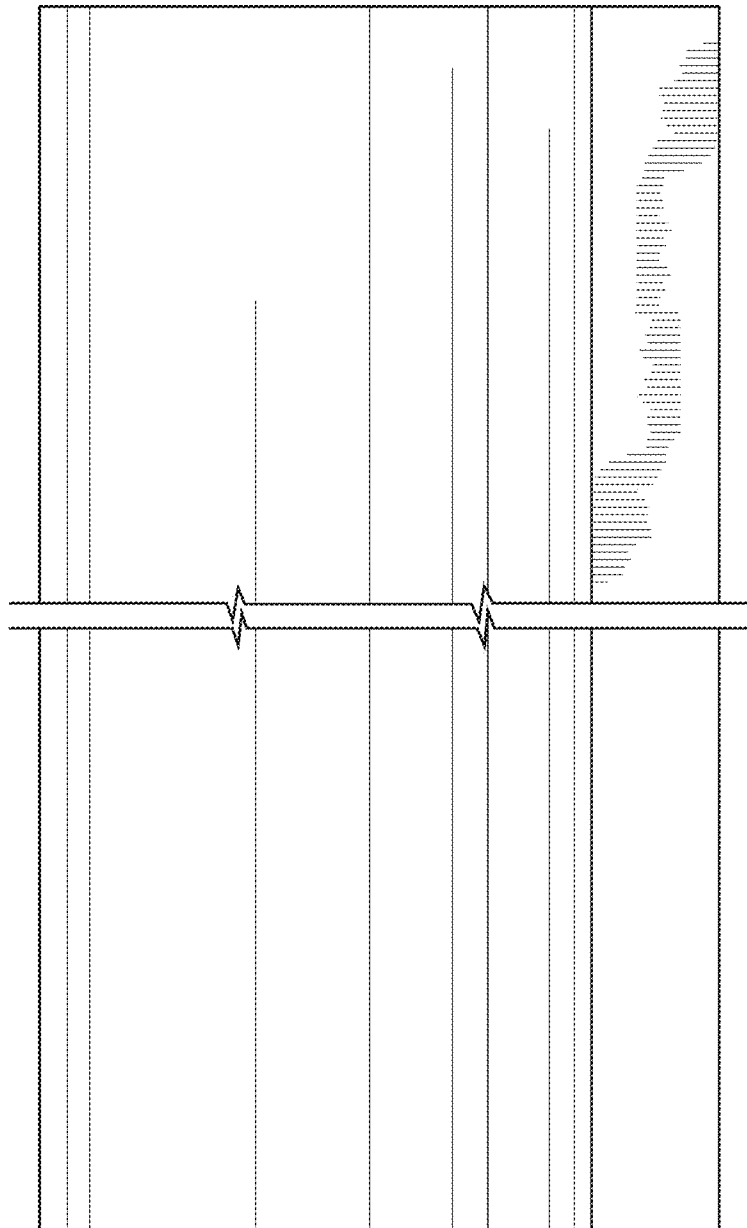


FIG. 9

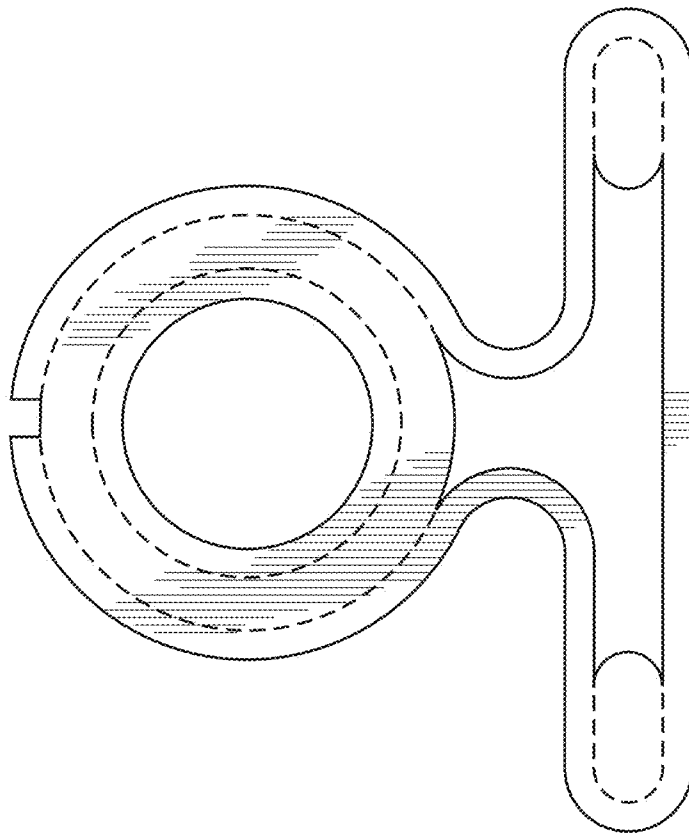


FIG. 10