



US00D998762S

(12) **United States Design Patent**  
**Witt et al.**

(10) **Patent No.:** **US D998,762 S**

(45) **Date of Patent:** **\*\* Sep. 12, 2023**

(54) **FAUCET**

(71) Applicant: **HANSGROHE SE**, Schiltach (DE)

(72) Inventors: **Alvaro Witt**, Stuttgart (DE); **Andreas Diefenbach**, Ludwigsburg-Ossweil (DE)

(73) Assignee: **Hansgrohe SE**, Schiltach (DE)

(\*\*) Term: **15 Years**

(21) Appl. No.: **29/769,323**

(22) Filed: **Feb. 4, 2021**

(30) **Foreign Application Priority Data**

Aug. 5, 2020 (EM) ..... 008080774-0007

(51) **LOC (14) Cl.** ..... **23-01**

(52) **U.S. Cl.**  
USPC ..... **D23/242**

(58) **Field of Classification Search**

USPC ..... D23/238, 239, 240, 241, 242, 243, 246,  
D23/247, 248, 249, 250, 251, 252, 253,  
D23/254, 255, 256, 257

CPC . E03C 1/01; E03C 1/0409; E03C 1/04; E03C  
1/0401; E03C 1/025; E03C 1/0408; E03C  
1/0402; E03C 1/0405; E03C 1/0412;  
Y10T 137/5339; Y10T 137/6014; Y10T  
137/6021

See application file for complete search history.

(56) **References Cited**

**U.S. PATENT DOCUMENTS**

D538,894 S	3/2007	Hoernig	
D579,528 S *	10/2008	Citterio	D23/252
D603,481 S *	11/2009	Zetsche	D23/242
D625,393 S *	10/2010	Sieger	D23/242
D634,405 S *	3/2011	Shieh	D23/242
D635,649 S *	4/2011	Schoenherr	D23/255
D645,941 S *	9/2011	Ando	D23/242

D680,627 S *	4/2013	Lord	D23/255
D712,520 S *	9/2014	Citterio	D23/255
D721,165 S *	1/2015	Downey	D23/255
D723,663 S *	3/2015	Downey	D23/238
D760,355 S *	6/2016	Citterio	D23/238
D760,359 S *	6/2016	Citterio	D23/252
D797,246 S *	9/2017	Downey	D23/242

(Continued)

**FOREIGN PATENT DOCUMENTS**

CN	305499873	12/2019
EM	003166750-0001	6/2016
EM	004493724-0001	11/2017

**OTHER PUBLICATIONS**

Amazon, RUIZHI Bathroom Sink Faucet, posted Oct. 30, 2021, [online], [visited Jul. 16, 2022]. Internet, <URL: <https://www.amazon.co.uk/RUIZHI-Bathroom-Faucet-Handles-Widespread/dp/B09KP9TQPM/ref?th=1>> (Year: 2021).\*

(Continued)

*Primary Examiner* — Samantha Wood

(74) *Attorney, Agent, or Firm* — Lora J. Graentzdoenffer

(57)

**CLAIM**

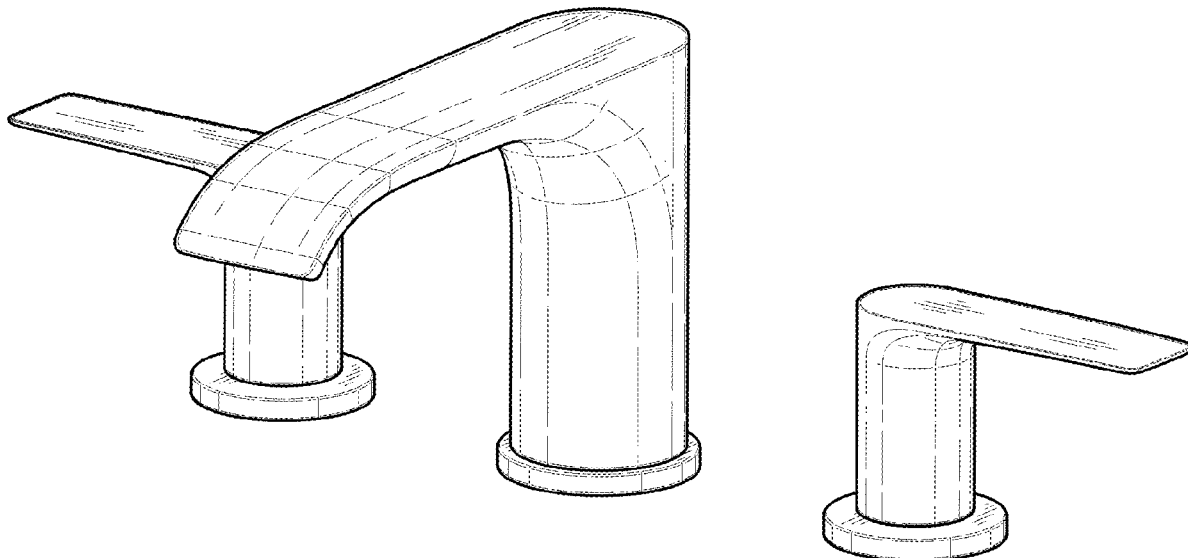
The ornamental design for a faucet, as shown and described.

**DESCRIPTION**

FIG. 1 is a perspective view of a faucet showing our design; FIG. 2 is a front elevational view; FIG. 3 is a rear elevational view; FIG. 4 is a side elevational view; FIG. 5 is a side elevational view; FIG. 6 is a top plan view; and, FIG. 7 is a bottom plan view.

The broken-line disclosures in the drawings represent portions of a faucet that form no part of the claimed design.

**1 Claim, 7 Drawing Sheets**



(56)

**References Cited**

U.S. PATENT DOCUMENTS

D799,644	S	10/2017	Sieger	
D828,506	S *	9/2018	Schoenherr .....	D23/238
D835,757	S *	12/2018	Schoenherr .....	D23/252
D846,705	S *	4/2019	Garland .....	D23/242
D848,575	S *	5/2019	Garland .....	D23/242
D856,489	S *	8/2019	Seum .....	D23/242
D856,490	S *	8/2019	Seum .....	D23/242
D924,369	S *	7/2021	Zeng .....	D23/242
D928,920	S *	8/2021	Tu .....	D23/242
D944,365	S *	2/2022	Lazarini .....	D23/242
D954,903	S *	6/2022	Witt .....	D23/238

OTHER PUBLICATIONS

Amazon, Speakman Widespread Bathroom Faucet, posted Feb. 19, 2019, [online], [visited Jul. 16, 2022]. Internet, <URL: <https://www.amazon.co.uk/Speakman-CD523BBZ-Widespread-Bathroom-Brushed/dp/B07N9FD3S7/ref>> (Year: 2019).\*

Amazon, TOCALOCA2 Handles Widespread Basin Faucet, posted Jul. 6, 2020, [online], [visited Jul. 16, 2022]. Internet, <URL: <https://www.amazon.co.uk/Widespread-Heavy-Duty-Contemporary-TOCALQCA-A38008BL-1/dp/B088697QDX/ref?th=1>> (Year: 2020).\*

Amazon, SKOWLL 2 Handle Bathroom Faucet Deck Mount, posted Jul. 29, 2021, [online], [visited Jul. 16, 2022]. Internet, <URL: <https://www.amazon.co.uk/Bathroom-Centerset-Lavatory-SKOWLL-Finished/dp/B09BDQDVG9/ref>> (Year: 2021).\*

\* cited by examiner

FIG. 1

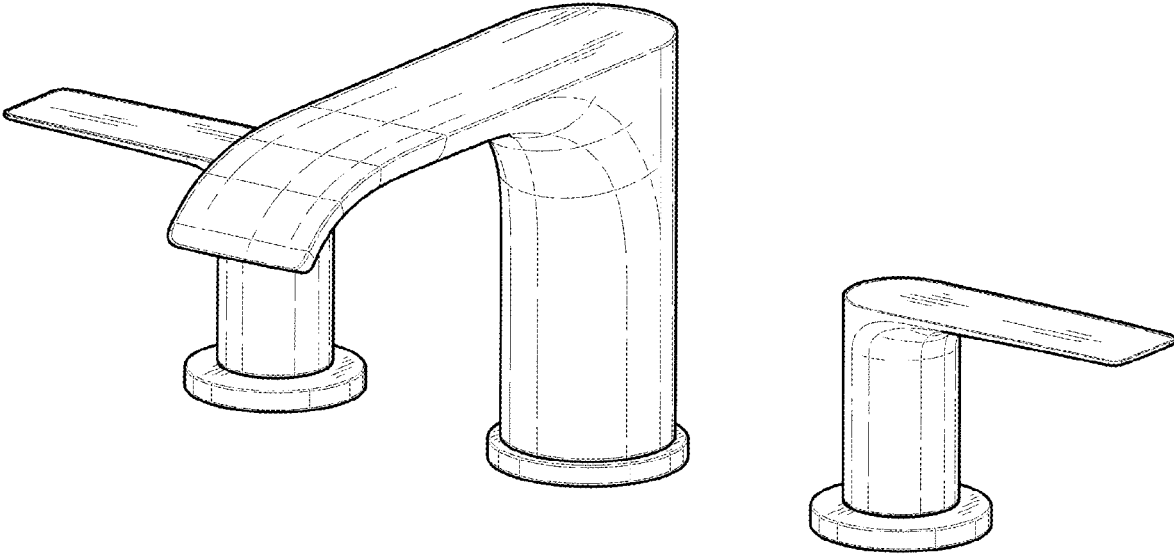


FIG. 2

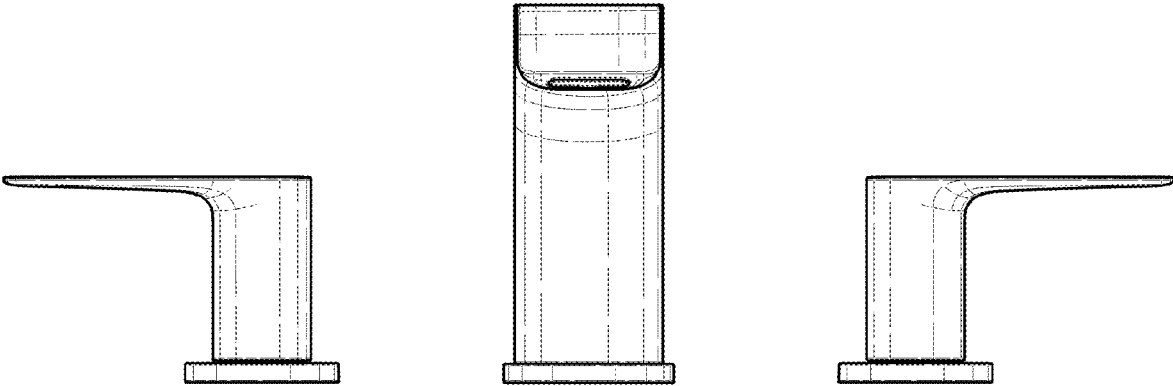


FIG. 3

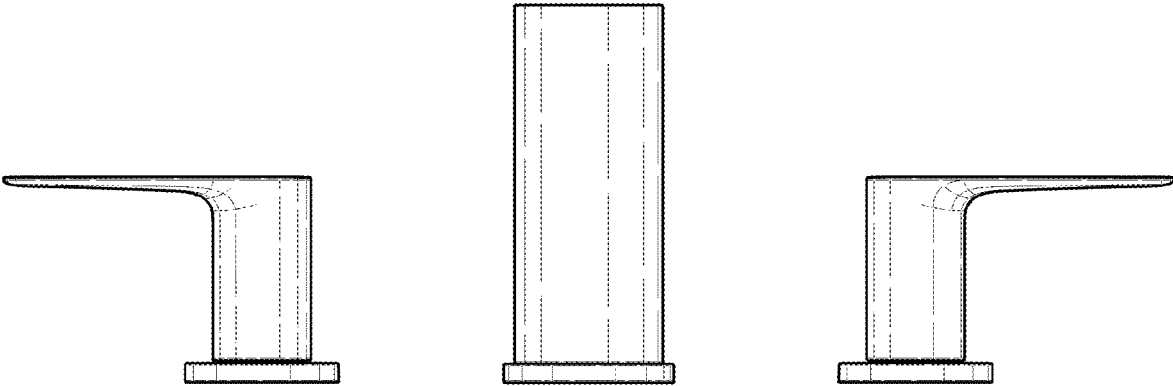


FIG. 4

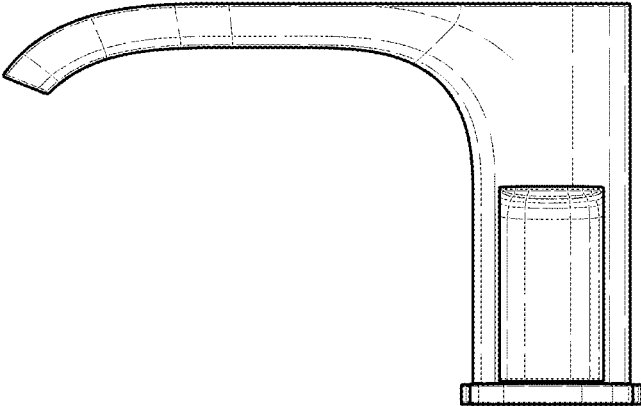


FIG. 5

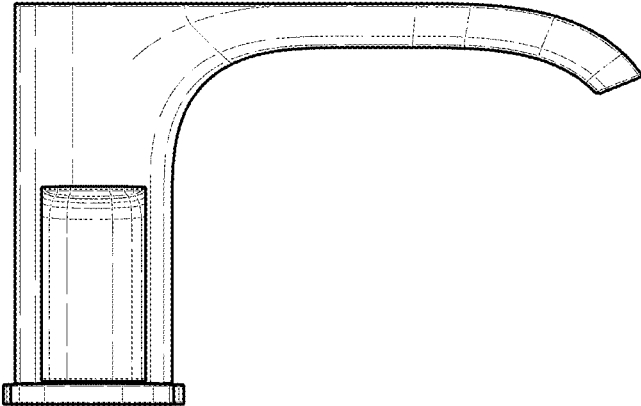


FIG. 6

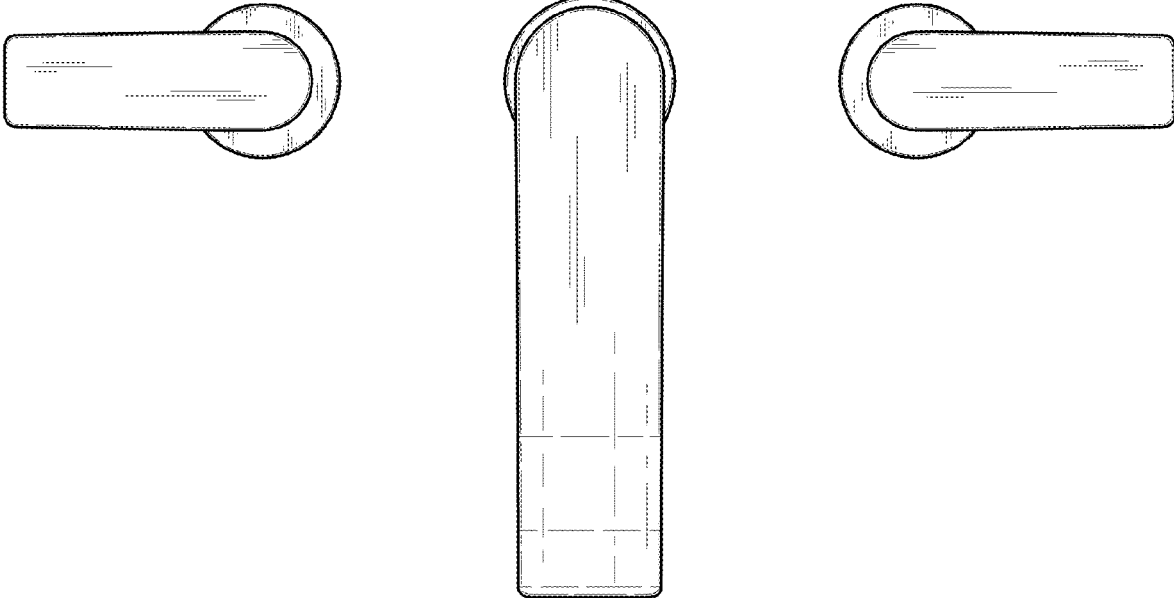




FIG. 7

