



US00D709468S

(12) **United States Design Patent**
Seo et al.

(10) **Patent No.:** **US D709,468 S**

(45) **Date of Patent:** **** Jul. 22, 2014**

(54) **TELEVISION RECEIVER**

(71) Applicant: **LG Electronics Inc.**, Seoul (KR)

(72) Inventors: **Minji Seo**, Gyeonggi-do (KR);
Byungmu Huh, Seoul (KR);
Youngyoung Kim, Seoul (KR)

(73) Assignee: **LG Electronics Inc.**, Seoul (KR)

(**) Term: **14 Years**

(21) Appl. No.: **29/484,635**

(22) Filed: **Mar. 12, 2014**

(30) **Foreign Application Priority Data**

Sep. 13, 2013 (KR) 30-2013-0047482

(51) **LOC (10) Cl.** **14-03**

(52) **U.S. Cl.**
USPC **D14/126**

(58) **Field of Classification Search**
USPC D14/125-134, 239, 371, 136, 374-377,
D14/440, 450, 448, 336, 342, 159; 312/7.2;
348/836, 838, 180, 184, 325, 739;
248/917-924, 465; 345/104, 133, 156,
345/168, 87, 173; D21/329, 515, 577, 622,
D21/333, 433, 448, 452, 450, 331, 505;
D10/15, 26; 446/484, 175, 356;
D6/477, 479, 300

See application file for complete search history.

(56) **References Cited**

U.S. PATENT DOCUMENTS

D431,537 S * 10/2000 Saeki et al. D14/126
D454,845 S * 3/2002 Niitsu D14/126

(Continued)

FOREIGN PATENT DOCUMENTS

KR 30-0672766 12/2012
KR 30-0673553 12/2012
KR 30-0673555 12/2012
KR 30-0675774 1/2013

OTHER PUBLICATIONS

Reid, "Crave TV: Alienware's bad boy ALX PC and curved display,"
Publication Date: Jan. 8, 2008. /http://crave.cnet.co.uk/desktops/
crave-tv-alienwares-bad-boy-alxpc-and-curved-display-49294958/.

(Continued)

Primary Examiner — Raphael Barkai

(74) *Attorney, Agent, or Firm* — Morgan, Lewis & Bockius
LLP

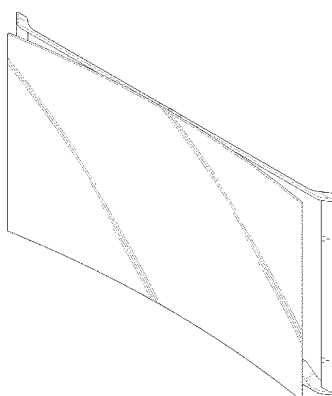
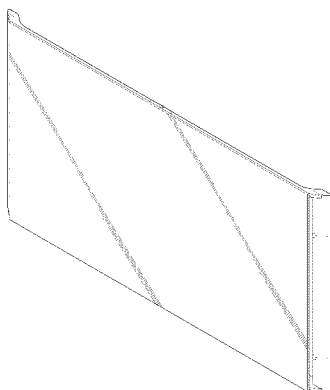
(57) **CLAIM**

The ornamental design for a television receiver, as shown and
described.

DESCRIPTION

FIG. 1 is a perspective view of a television receiver showing
our new design;
FIG. 2 is a front view thereof;
FIG. 3 is a rear view thereof;
FIG. 4 is a left side view thereof where the right side view is
a mirror image;
FIG. 5 is a top plan view thereof;
FIG. 6 is a bottom plan view thereof;
FIG. 7 is a rear perspective view thereof;
FIG. 8 is a perspective view thereof showing the middle state
in which the display part of television has been being bent;
FIG. 9 is a left side view of FIG. 8;
FIG. 10 is a top plan view of FIG. 8;
FIG. 11 is a bottom plan view of FIG. 8;
FIG. 12 is a rear perspective view of FIG. 8;
FIG. 13 is a right side perspective view of FIG. 8;
FIG. 14 is a perspective view thereof showing the state in
which the display part of television has been completely bent;
FIG. 15 is a left side view of FIG. 14;
FIG. 16 is a top plan view of FIG. 14;
FIG. 17 is a bottom plan view of FIG. 14;
FIG. 18 is a rear perspective view of FIG. 14; and,
FIG. 19 is a right side perspective view of FIG. 14.
The broken lines are for illustrative purposes only and form
no part of the claimed design.

1 Claim, 16 Drawing Sheets



(56)

References Cited

U.S. PATENT DOCUMENTS

D524,764	S	*	7/2006	Inaba	D14/126
D537,421	S	*	2/2007	Hwang et al.	D14/126
D541,775	S	*	5/2007	Kita	D14/126
D554,599	S	*	11/2007	Otsuka et al.	D14/126
D566,067	S	*	4/2008	Kita	D14/126
D581,377	S	*	11/2008	Chiu et al.	D14/126
D584,257	S	*	1/2009	Kita	D14/126
D633,881	S	*	3/2011	Yokota et al.	D14/126
D680,509	S	*	4/2013	Hwangbo et al.	D14/126
D682,799	S	*	5/2013	Hwang Bo et al.	D14/126
D689,033	S	*	9/2013	Hwangbo et al.	D14/126

OTHER PUBLICATIONS

Jobling, "Shinoda Shows Off 125in Wide, 1mm Thick Plasma,"
 Publication Date: May 19, 2008. /<http://www.trustedreviews.com/news/Shinoda-Shows-Off-125in-Wide-1mm-Thick-Plasma/>.

Ali, "Huge Curved TV for Gamers—Ostendo CRVD," Publication Date: Nov. 24, 2009. /<http://forum-xcitefun.net/huge-curved-tv-for-gamers-ostendo-crvd-t39928.html/>.

Divirgilio, "Benny drive's 160-inch curved rear screen racing simulator is the big daddy of all," Publication Date: Jul. 13, 2012. /<http://www.bornrich.com/benny-drives-160-inch-curved-rear-screen-racing-simulator-big-daddy.html/>.

Covert, "AUO Curved Displays, Ultra Thin LCDs On The Way," Publication Date: May 20, 2008. /<http://gizmodo.com/392248/auo-curved-displays-ultra-thin-lcds-on-the-way/>.

Dubey, "iView Curved Display iMac Concept showcased by Nuno Teixeira," Publication Date: Mar. 3, 2008. /<http://www.techshout.com/hardware/2008/03/iview-curved-display-imac-concept-showcased-by-nuno-teixeira/>.

Publication Date: Jan. 9, 2013. /<http://jongamk.tistory.com/2099/>.

* cited by examiner

FIG. 1

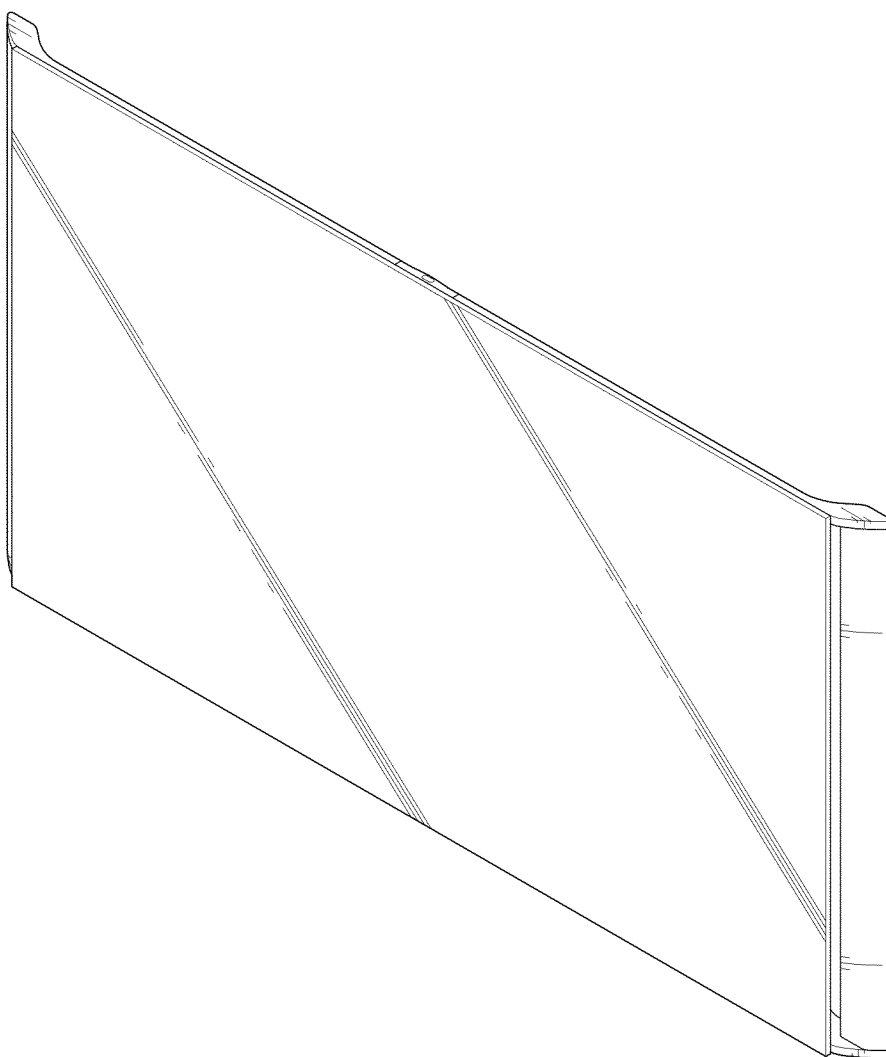


FIG. 2

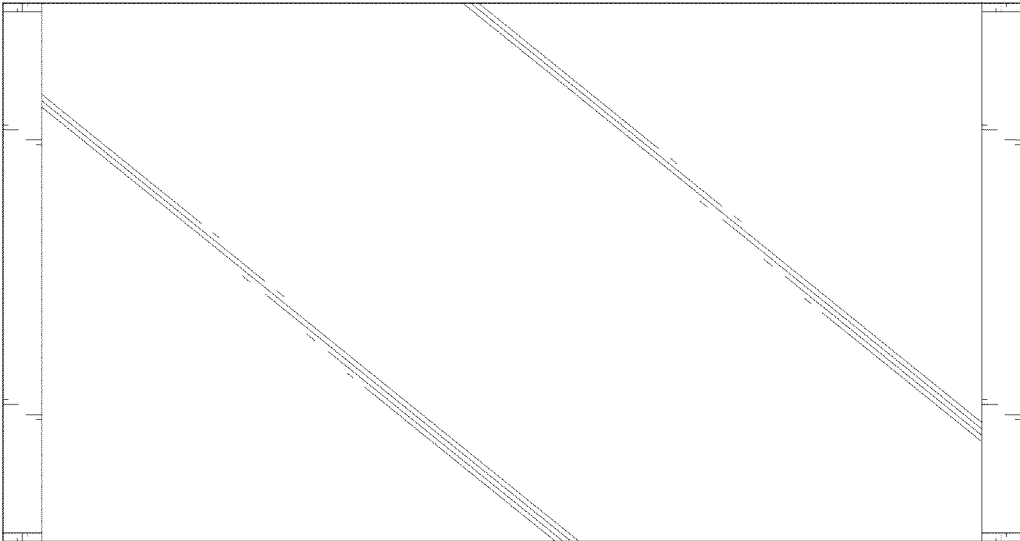


FIG. 3

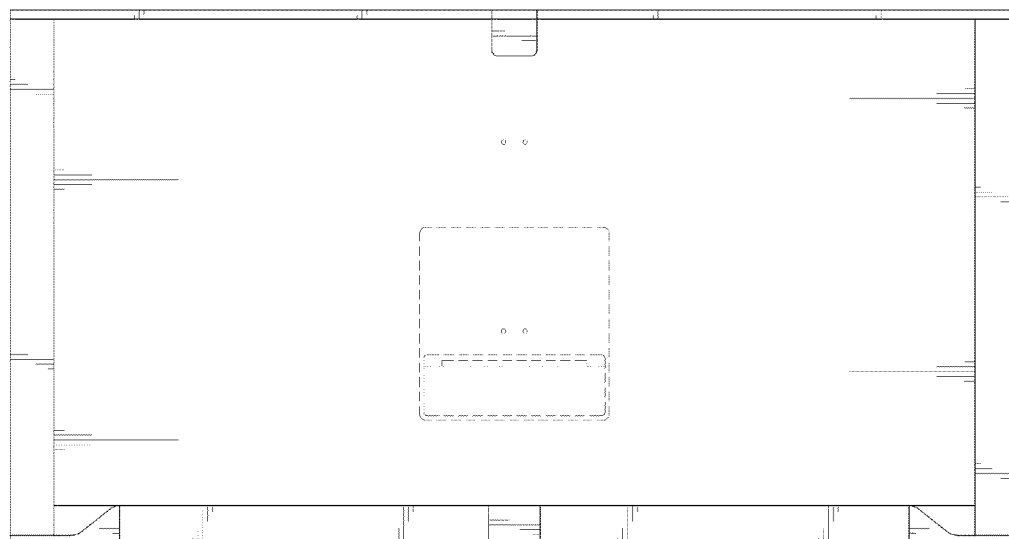


FIG. 4

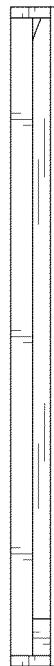


FIG. 5

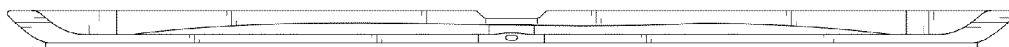


FIG. 6



FIG. 7

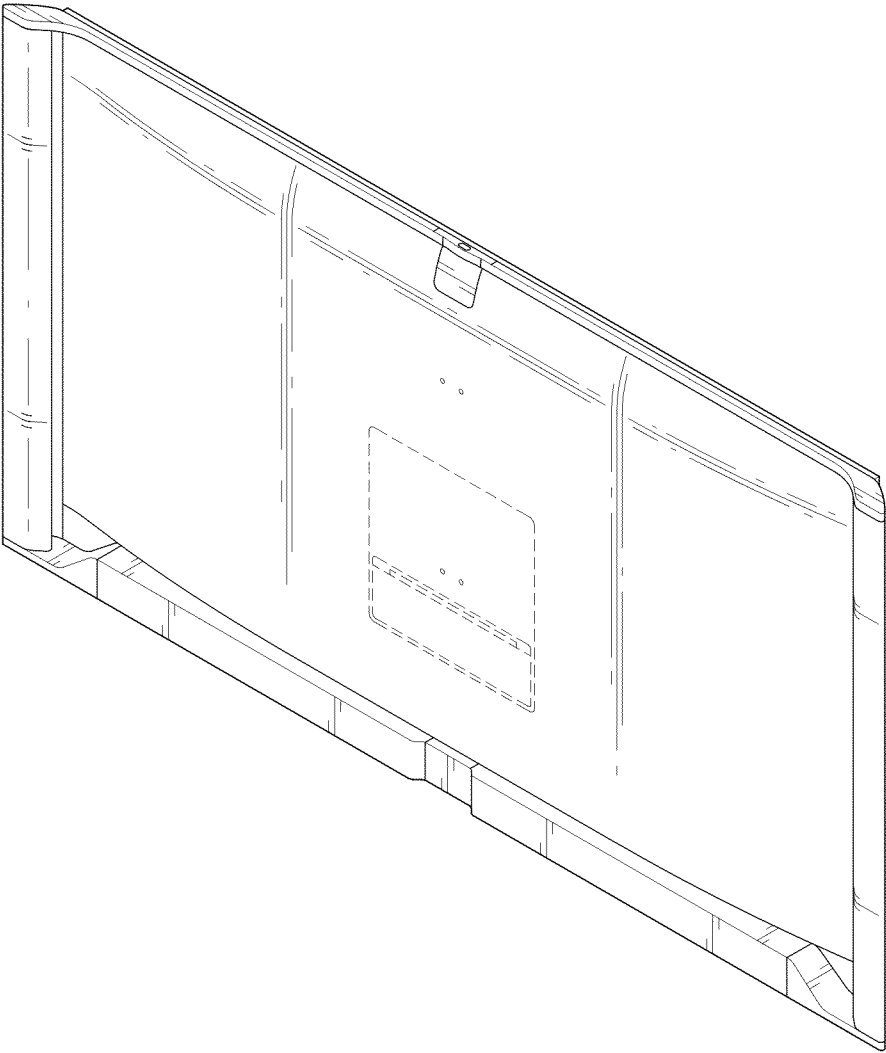


FIG. 8

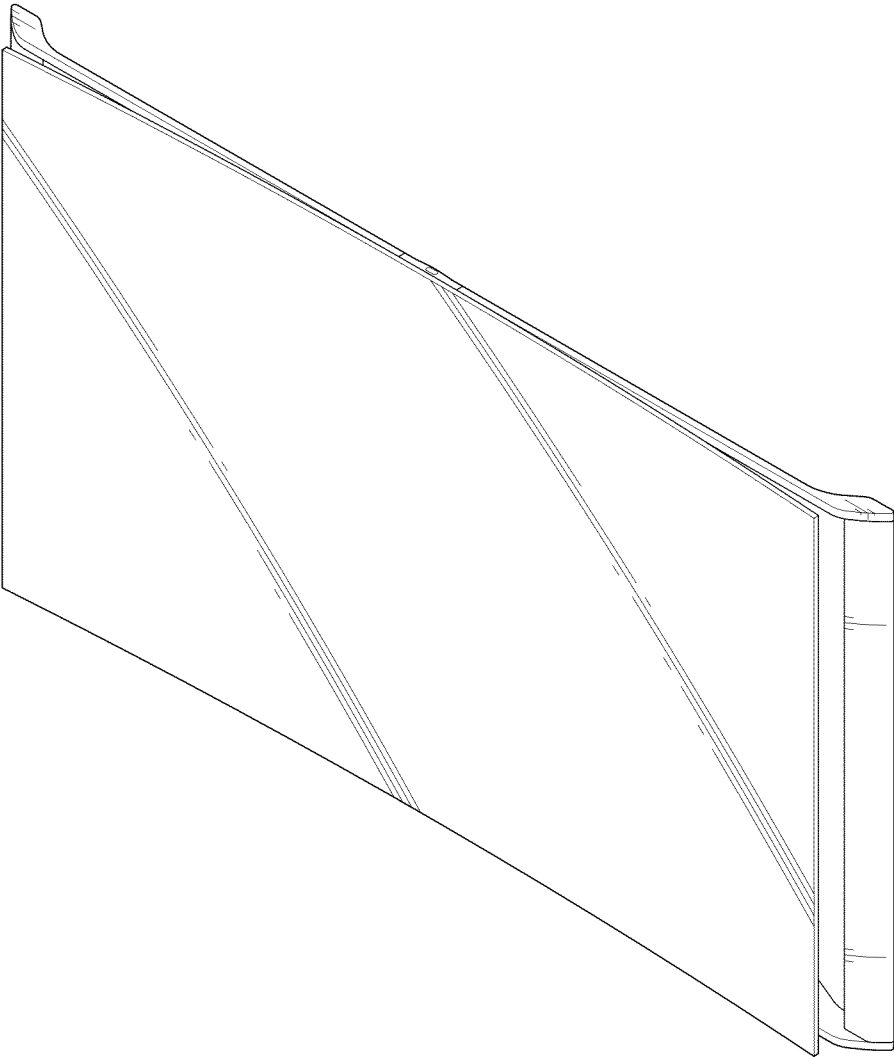


FIG. 9



FIG. 10

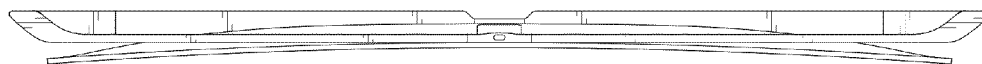


FIG. 11

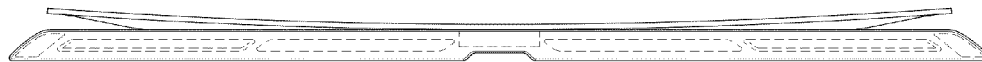


FIG. 12

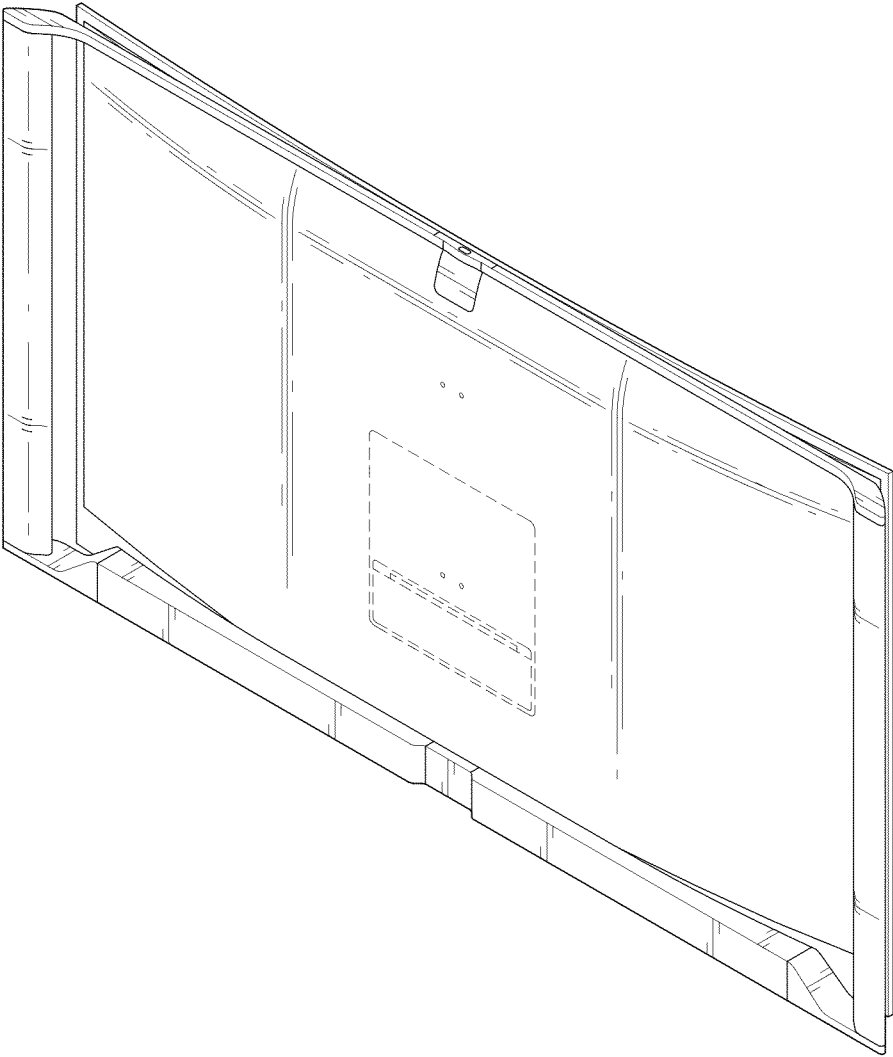


FIG. 13

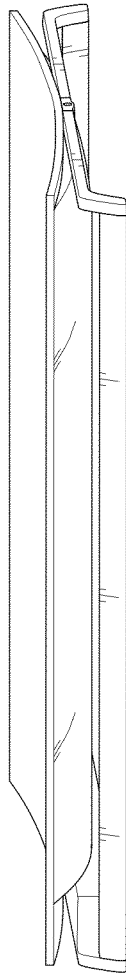


FIG. 14

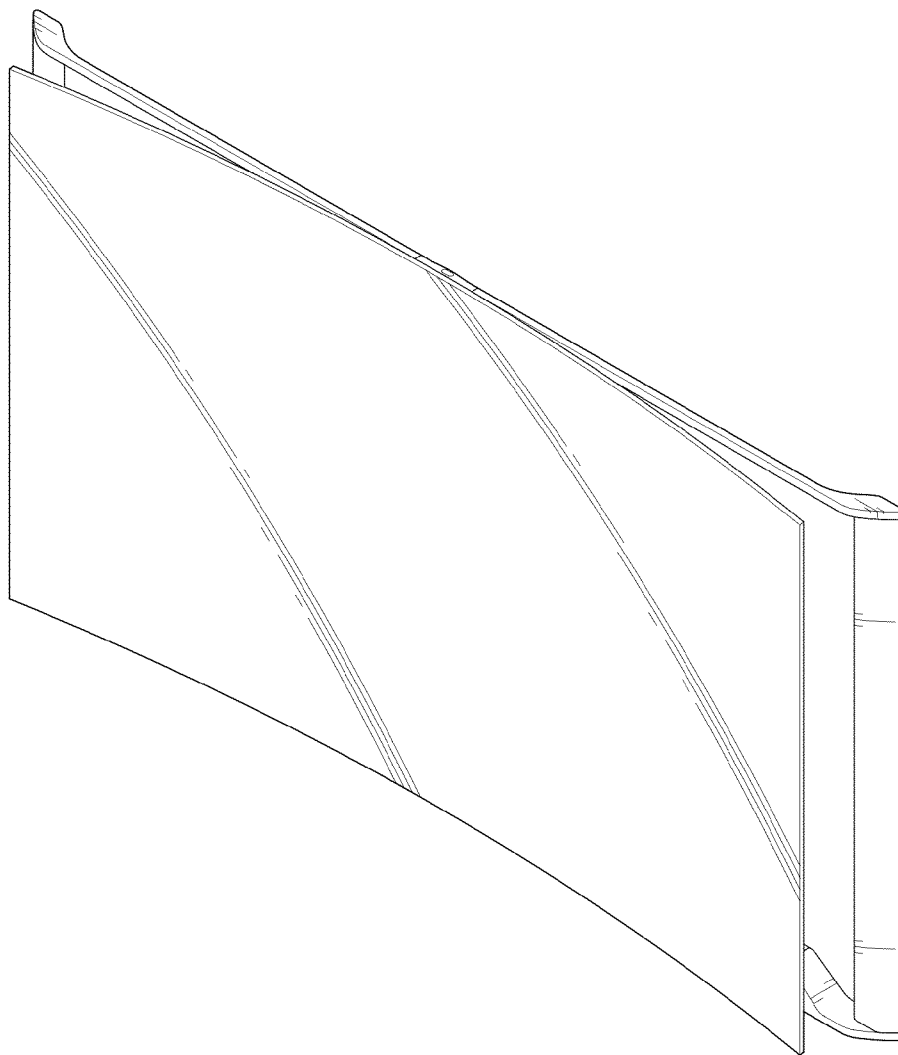


FIG. 15

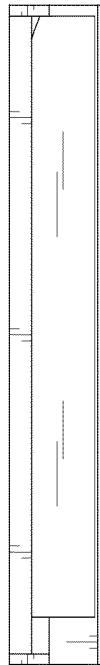


FIG. 16

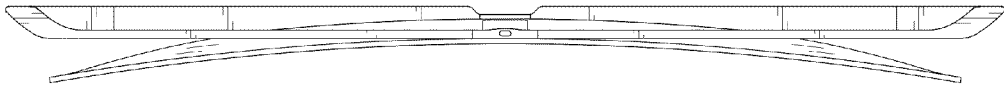


FIG. 17

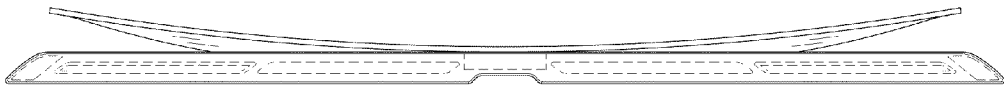


FIG. 18

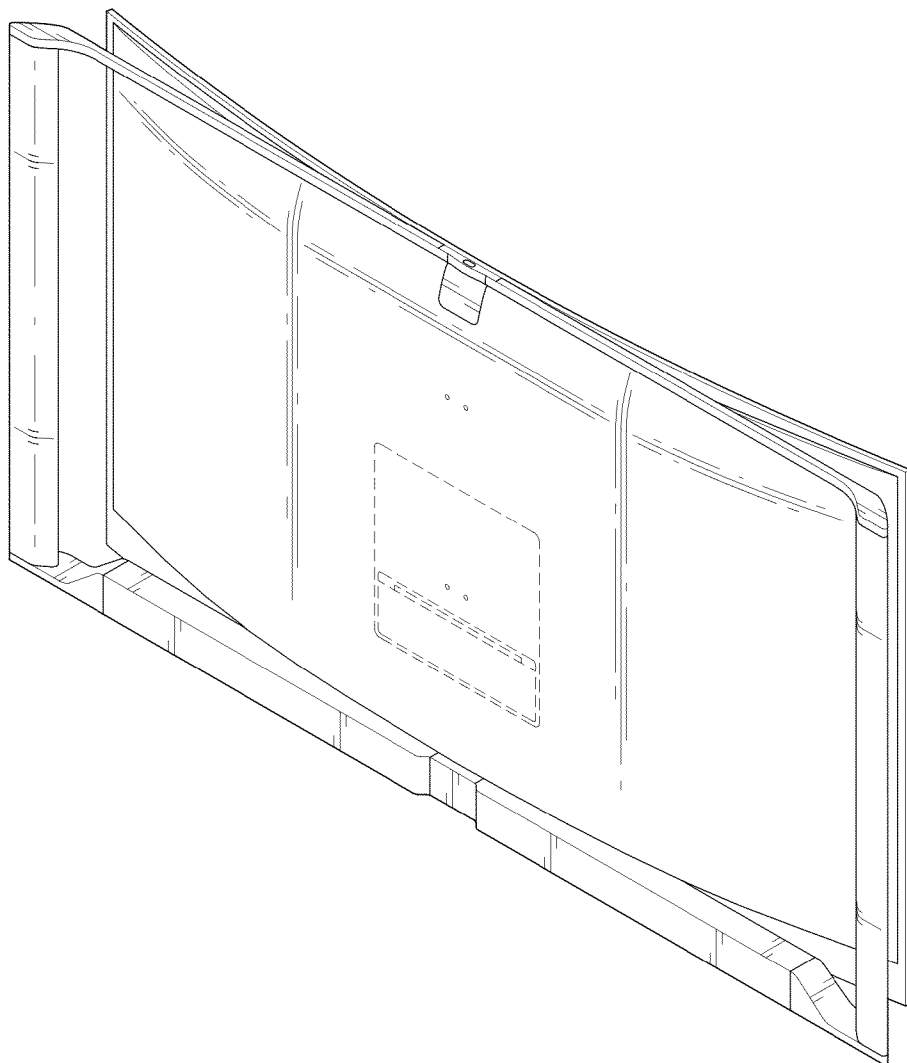


FIG. 19

