



US00D783189S

(12) **United States Design Patent**
Nishii

(10) **Patent No.:** **US D783,189 S**

(45) **Date of Patent:** **** Apr. 4, 2017**

(54) **FRONT COMBINATION LAMP FOR AN AUTOMOBILE**

(71) Applicant: **Fuji Jukogyo Kabushiki Kaisha,**
Tokyo (JP)

(72) Inventor: **Takatoshi Nishii,** Tokyo (JP)

(73) Assignee: **Fuji Jukogyo Kabushiki Kaisha,**
Tokyo (JP)

(**) Term: **15 Years**

(21) Appl. No.: **29/556,004**

(22) Filed: **Feb. 26, 2016**

(30) **Foreign Application Priority Data**

Aug. 26, 2015 (JP) 2015-018714

(51) **LOC (10) Cl.** **26-06**

(52) **U.S. Cl.** **D26/28**

USPC **D26/28**

(58) **Field of Classification Search**

USPC D26/28-36; 362/80-83, 267-269,
362/459-468, 475-478, 485-487

CPC F21S 48/00; F21S 48/10; F21S 48/115;

F21S 48/225; F21S 48/1233; F21S

48/1266; F21S 48/1388; F21S 48/2268;

F21V 21/04

See application file for complete search history.

(56) **References Cited**

U.S. PATENT DOCUMENTS

D528,133 S * 9/2006 Brazier D15/28

D528,685 S * 9/2006 Yoshida D26/28

D544,114 S * 6/2007 Ohta D26/28
D560,291 S * 1/2008 Koyama D26/28
D561,358 S * 2/2008 Tachibana D26/28
D597,232 S * 7/2009 Hanaoka D26/28
D726,353 S * 4/2015 Yagihashi D26/28

* cited by examiner

Primary Examiner — Marcus Jackson

(74) *Attorney, Agent, or Firm* — Schiff Hardin LLP

(57) **CLAIM**

I claim the ornamental design for a front combination lamp for an automobile thereof, as shown and described.

DESCRIPTION

The patent or application file contains at least one drawing executed in color. Copies of this patent or patent application publication with color drawing(s) will be provided by the Office upon request and payment of the necessary fee.

FIG. 1 is a front perspective view for a “front combination lamp for an automobile” showing my new design.

FIG. 2 is a front view thereof,

FIG. 3 is a rear view thereof,

FIG. 4 is a top view thereof,

FIG. 5 is a bottom view thereof,

FIG. 6 is a left-side view thereof,

FIG. 7 is a right-side view thereof; and,

FIG. 8 is a perspective view of a second embodiment thereof, wherein the only difference resides in the translucent lens.

1 Claim, 8 Drawing Sheets
(1 of 8 Drawing Sheet(s) Filed in Color)

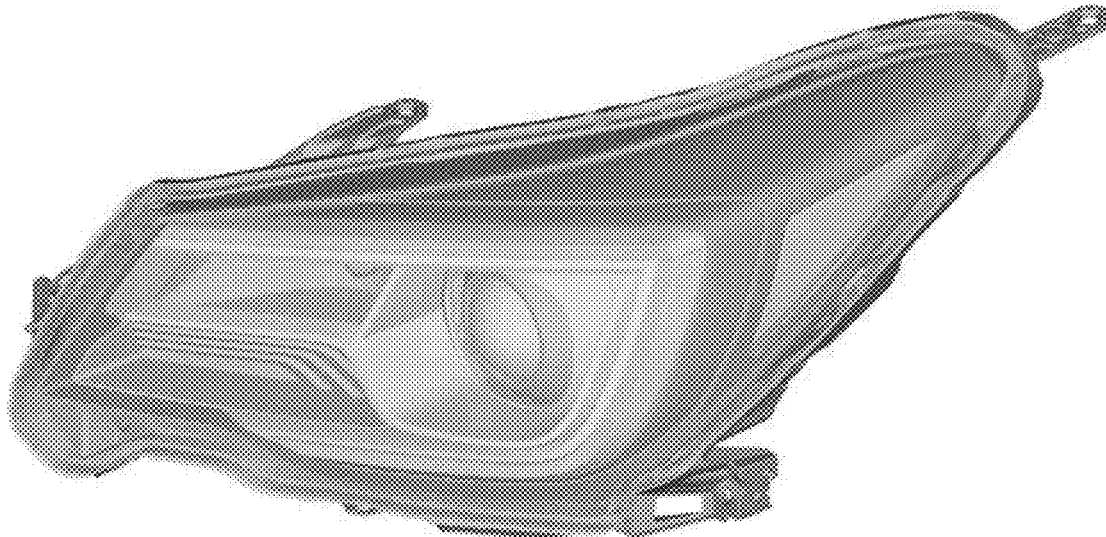


Fig. 1

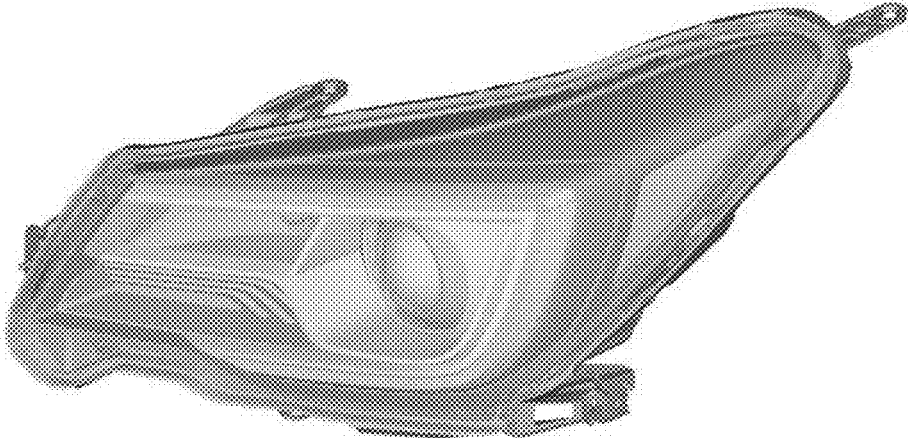


Fig. 2

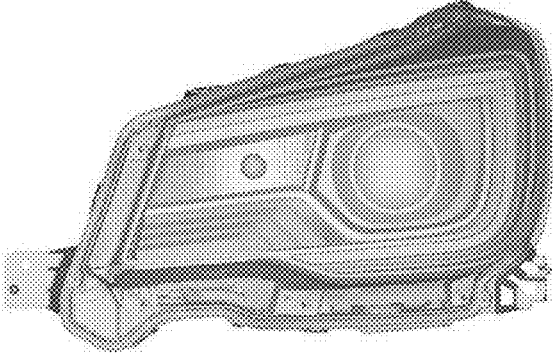


Fig. 3

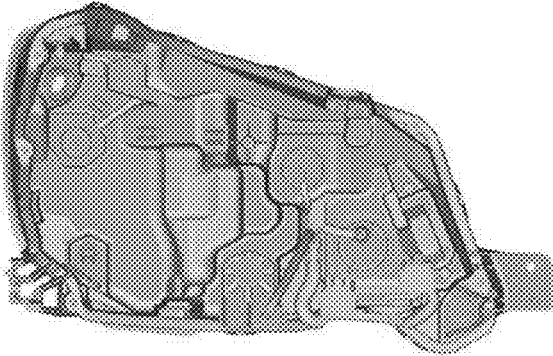


Fig. 4

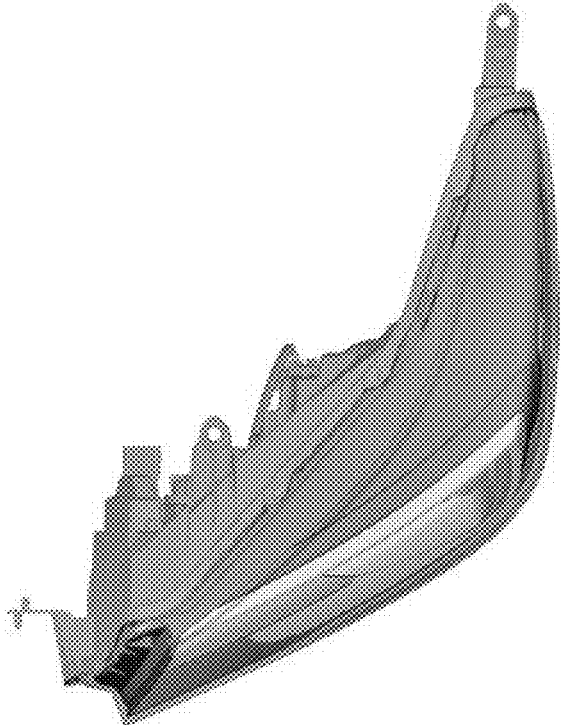


Fig. 5

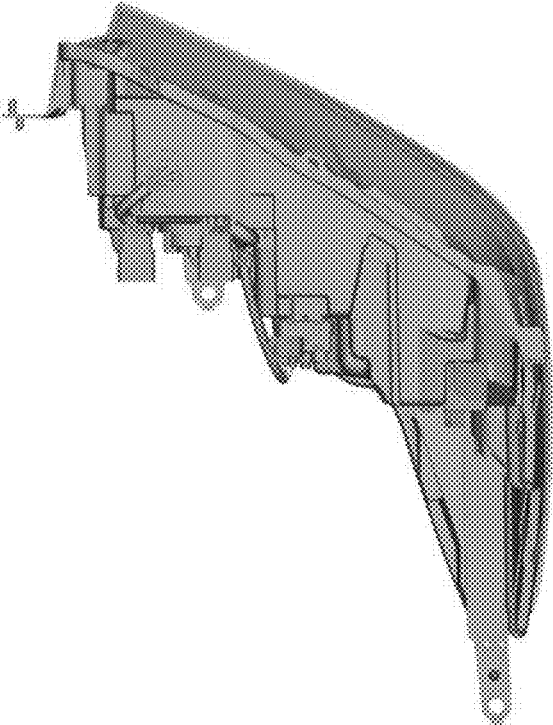


Fig. 6

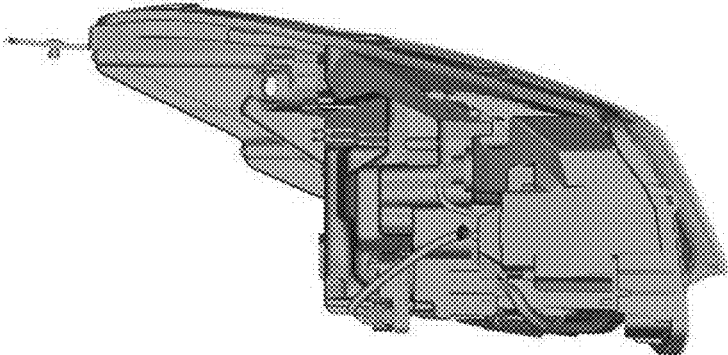


Fig. 7

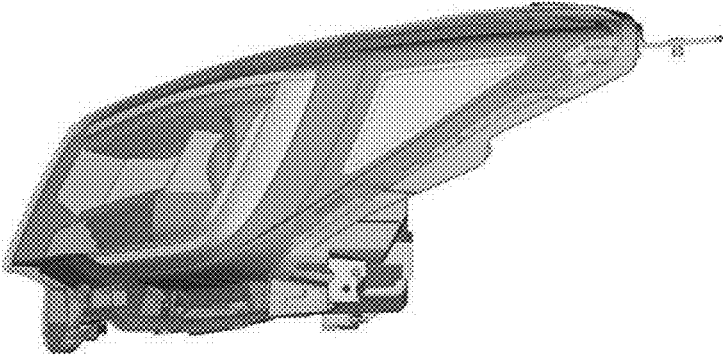


Fig. 8

