



US00D934555S

(12) **United States Design Patent**
Cloward

(10) **Patent No.:** **US D934,555 S**

(45) **Date of Patent:** **** Nov. 2, 2021**

(54) **SEAM RIPPER**
(71) Applicant: **Cindy L. Cloward**, Alpine, UT (US)
(72) Inventor: **Cindy L. Cloward**, Alpine, UT (US)

(**) Term: **15 Years**

(21) Appl. No.: **29/724,855**

(22) Filed: **Feb. 19, 2020**

(51) **LOC (13) Cl.** **03-01**

(52) **U.S. Cl.**
USPC **D3/18**

(58) **Field of Classification Search**
USPC D3/18, 20, 28; D15/77, 78
CPC A41H 31/005; B26B 1/08; B26B 29/02;
B26B 5/005; D05B 89/00; D05B 37/04
See application file for complete search history.

(56) **References Cited**

U.S. PATENT DOCUMENTS

2,764,814	A *	10/1956	Jecker	A41H 31/005
					30/294
3,100,935	A *	8/1963	Leafe	B26B 27/00
					30/294
D222,660	S *	11/1971	Miles et al.	D8/61
D225,700	S *	1/1973	Ament et al.	D3/18
D225,701	S *	1/1973	Ament et al.	D3/18
3,972,117	A *	8/1976	Fogg	A41H 31/005
					30/287
4,175,498	A *	11/1979	Walters	D05B 89/00
					112/129
4,510,688	A *	4/1985	White	A41H 31/005
					30/294
D296,042	S *	6/1988	Lee	D3/18
D351,059	S *	10/1994	Kahlcke	A61B 17/3213
					D3/18
5,896,667	A *	4/1999	Hawkins	B26B 1/00
					30/294
D418,672	S *	1/2000	Mobbs	A41H 31/005
					D3/18

6,240,645	B1 *	6/2001	Ozeki	A41H 31/005
					30/240
9,402,644	B2 *	8/2016	Racenet	A61B 17/320016
D792,705	S *	7/2017	Farnum	D3/18
D820,582	S *	6/2018	Farnum	B26B 11/00
					D3/18
10,092,052	B2 *	10/2018	Farnum	A41H 31/005
10,219,567	B2 *	3/2019	Farnum	D05B 89/00
10,427,310	B2 *	10/2019	Scimone	A41H 31/005
D877,487	S *	3/2020	Iwasaki	A41H 31/005
					D3/18
10,729,198	B2 *	8/2020	Iwasaki	B26B 1/08

(Continued)

OTHER PUBLICATIONS

Cindy's Seam Ripper by Riley Blake Designs, amazon.com, https://www.amazon.com/Cindys-Ripper-Riley-Blake-Designs/dp/B08L9R6SPS/ref=pd_ybh_a_38?_encoding=UTF8&psc=1&refRID=N8XBM4NTR4HP3CPQDT52 (Year: 2020).*

Primary Examiner — Steven J Cxyz

(74) *Attorney, Agent, or Firm* — Terrence J. Edwards;
TechLaw Ventures, PLLC

(57) **CLAIM**

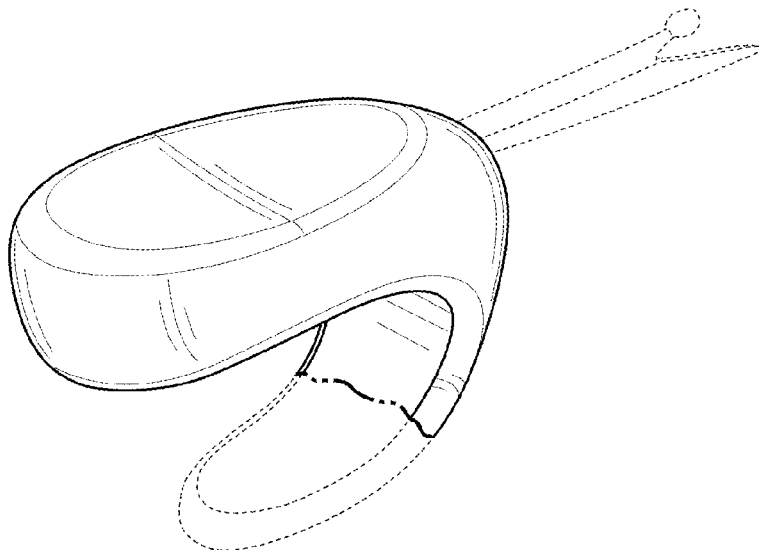
I claim the ornamental design for a seam ripper, as shown and described.

DESCRIPTION

FIG. 1 is a top perspective view of a seam ripper;
FIG. 2 is a top view thereof;
FIG. 3 is a bottom view thereof;
FIG. 4 is a side view thereof;
FIG. 5 is a side view thereof;
FIG. 6 is a front view thereof; and,
FIG. 7 is a rear view thereof.

In the drawings, the evenly-spaced broken lines depict portions of the article that form no part of the claimed design; the dot-dot-dash lines represent the boundary of the claimed design and forms no part thereof.

1 Claim, 3 Drawing Sheets



(56)

References Cited

U.S. PATENT DOCUMENTS

2005/0193568 A1* 9/2005 Peyrot B26B 29/02
30/162
2005/0262704 A1* 12/2005 DiSanto A41H 31/005
30/289
2007/0125398 A1* 6/2007 Johnson A45D 2/00
132/200
2008/0235954 A1* 10/2008 Radle B26B 11/00
30/152
2014/0182140 A1* 7/2014 Rosenhan A61B 17/3213
30/162
2014/0277042 A1* 9/2014 Racenet A61B 17/320016
606/170
2017/0099903 A1* 4/2017 Farnum F21V 33/0084
2017/0099904 A1* 4/2017 Farnum A41H 31/00

* cited by examiner

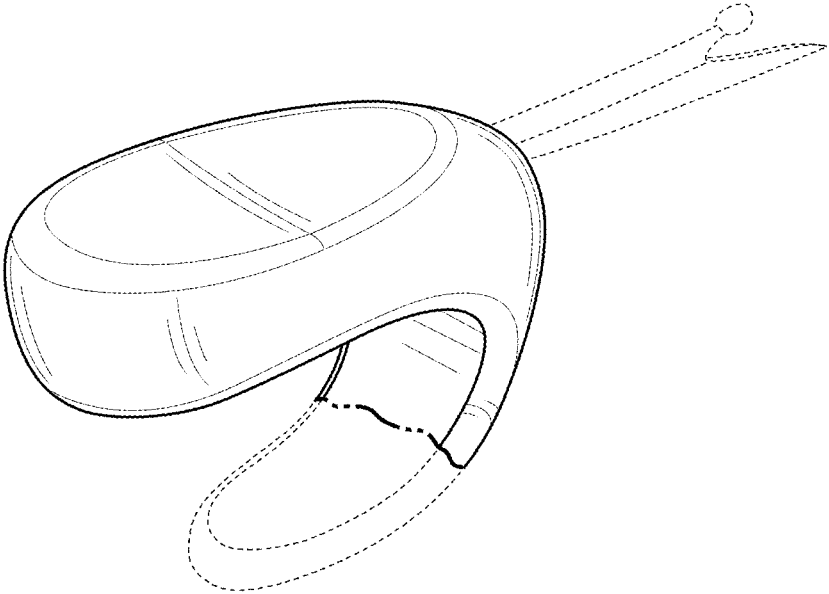


FIG. 1

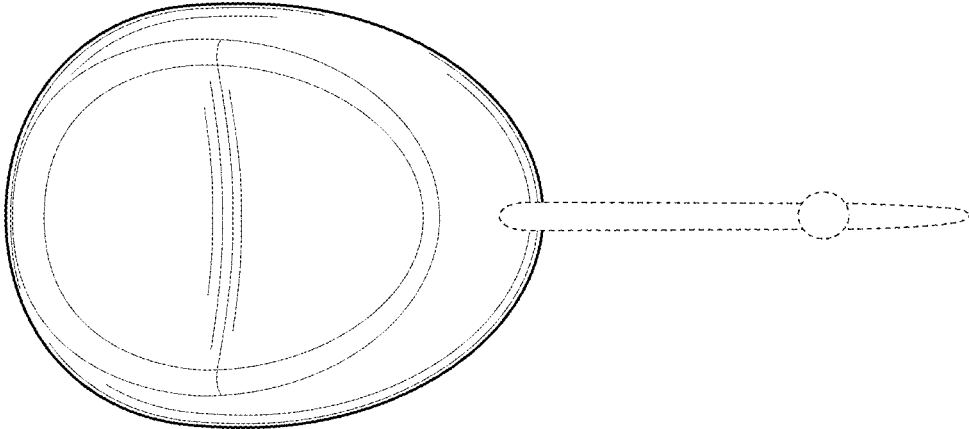


FIG. 2

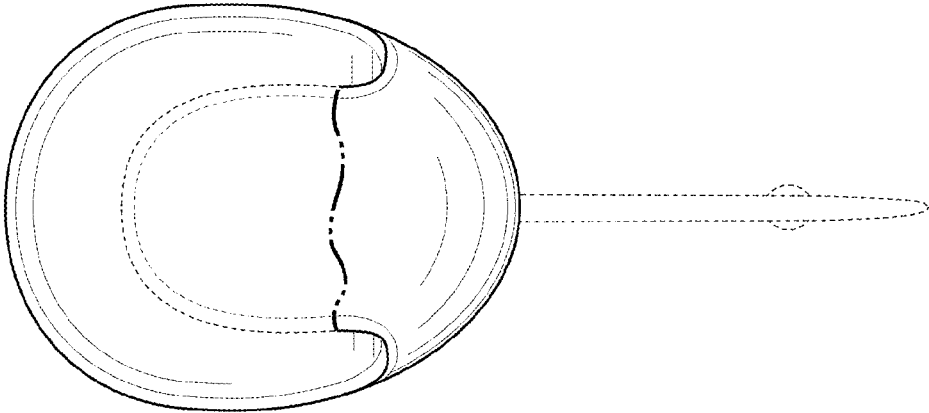


FIG. 3

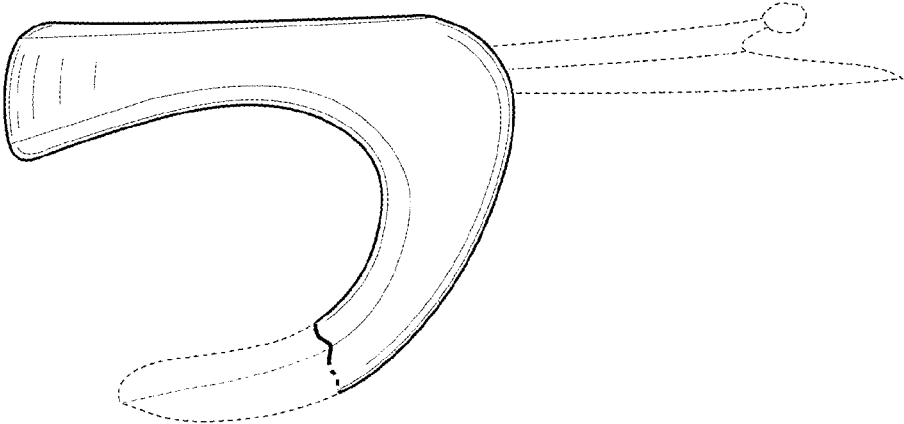


FIG. 4

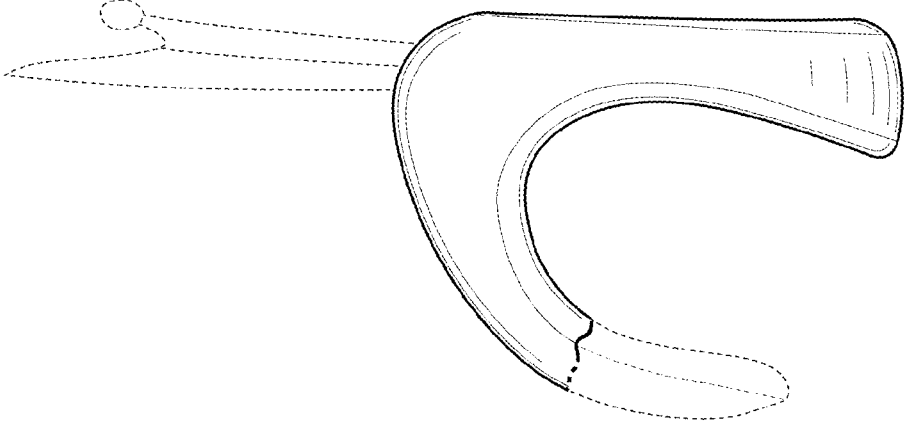


FIG. 5

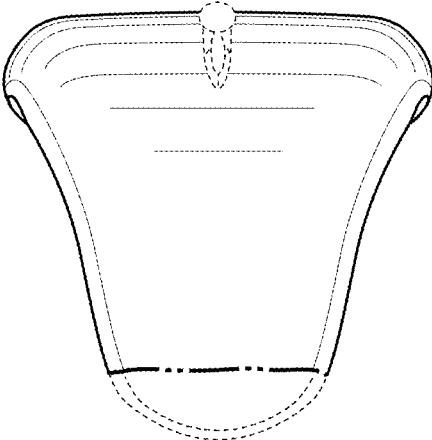


FIG. 6

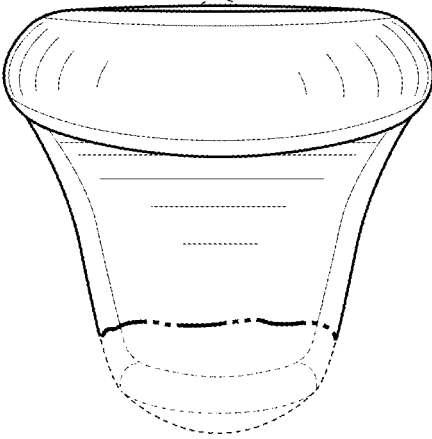


FIG. 7