



US00D794101S

(12) **United States Design Patent**  
**Ryu**

(10) **Patent No.:** **US D794,101 S**

(45) **Date of Patent:** **\*\* Aug. 8, 2017**

(54) **CUTTING INSERT**  
(71) Applicant: **TaeguTec Ltd.**, Daegu (KR)  
(72) Inventor: **Su Jin Ryu**, Daegu (KR)  
(73) Assignee: **TaeguTec Ltd.**, Daegu (KR)  
(\*\*) Term: **15 Years**  
(21) Appl. No.: **29/549,769**

6,227,772 B1 \* 5/2001 Heinloth ..... B23C 5/202  
407/113  
D491,205 S \* 6/2004 Bailey ..... D15/139  
6,872,034 B2 \* 3/2005 Satran ..... B23C 5/2213  
407/103  
D572,279 S \* 7/2008 Takanashi ..... D15/139  
D579,470 S \* 10/2008 Maeta ..... D15/139  
D585,467 S \* 1/2009 Takanashi ..... D15/139  
D617,351 S \* 6/2010 Brockway ..... D15/20  
D617,817 S \* 6/2010 Brockway ..... D15/20  
8,616,866 B2 \* 12/2013 Satran ..... B22F 3/03  
419/66  
D755,267 S \* 5/2016 Lee ..... D15/139

(22) Filed: **Dec. 28, 2015**  
(51) **LOC (10) Cl.** ..... **15-09**  
(52) **U.S. Cl.**  
USPC ..... **D15/139**  
(58) **Field of Classification Search**  
USPC ..... D7/693, 394, 372, 376, 378, 381, 383,  
D7/384, 385; D8/20, 23, 25, 41, 47, 54,  
D8/55, 58, 61, 64, 66, 70, 86, 98, 99,  
D8/352, 366, 376, 387, 397; D15/19, 21,  
D15/29, 121, 131, 132, 133, 138, 139,  
D15/140  
CPC .... B25D 3/00; B25D 17/02; B25D 2250/111;  
B25D 2211/003; B25D 16/00; E21B  
10/16; E21B 10/567; C03B 23/047; C03B  
23/0496

See application file for complete search history.

(56) **References Cited**  
U.S. PATENT DOCUMENTS

D265,718 S \* 8/1982 Stoeckli ..... D8/102  
5,203,648 A \* 4/1993 Bohannon ..... B23B 27/045  
407/113  
5,333,972 A \* 8/1994 Bernadic ..... B23B 27/141  
407/113  
D379,630 S \* 6/1997 Brockway ..... D15/29  
5,775,855 A \* 7/1998 Reiterman ..... B23C 5/207  
407/113  
5,957,755 A \* 9/1999 LaFlamme ..... B23B 27/141  
407/113

(Continued)

**OTHER PUBLICATIONS**

[http://www.taegutec.com/Media/DownloadFiles/FocusProducts\\_en.pdf](http://www.taegutec.com/Media/DownloadFiles/FocusProducts_en.pdf)—Created Mar. 20, 2017.\*

(Continued)

*Primary Examiner* — Manpreet Matharu  
*Assistant Examiner* — Mojtaba Tehrani  
(74) *Attorney, Agent, or Firm* — Hamre, Schumann,  
Mueller & Larson, P.C.

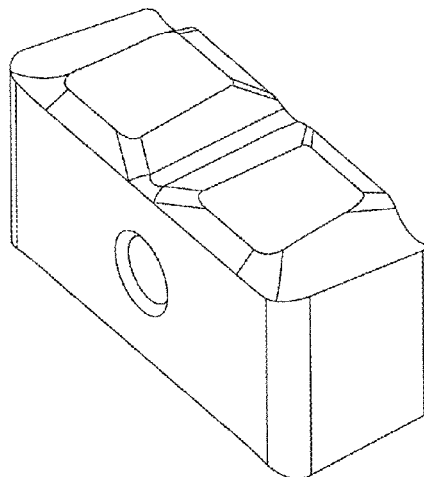
(57) **CLAIM**

The ornamental design for a cutting insert, as shown and described.

**DESCRIPTION**

FIG. 1 is a perspective view of a cutting insert showing my new design;  
FIG. 2 is a front elevational view thereof;  
FIG. 3 is a rear elevational view thereof;  
FIG. 4 is a left side view thereof;  
FIG. 5 is a right side view thereof;  
FIG. 6 is a top plan view thereof;  
FIG. 7 is a bottom plan view thereof; and,  
FIG. 8 is a cross-sectional view taken along line 8-8 of FIG. 2.

**1 Claim, 8 Drawing Sheets**



(56)

**References Cited**

U.S. PATENT DOCUMENTS

D781,360 S \* 3/2017 Kanada ..... D15/139  
9,616,506 B2 \* 4/2017 Matsubara ..... B23C 5/205  
D786,324 S \* 5/2017 Koskinen ..... D15/139  
2013/0266392 A1 \* 10/2013 Lee ..... B23C 3/06  
409/234

OTHER PUBLICATIONS

<https://www.mscdirect.com/industrialtools/ingersoll-cutting-tools-inserts.html>—Retrieved May 24, 2017.\*

\* cited by examiner

FIG. 1

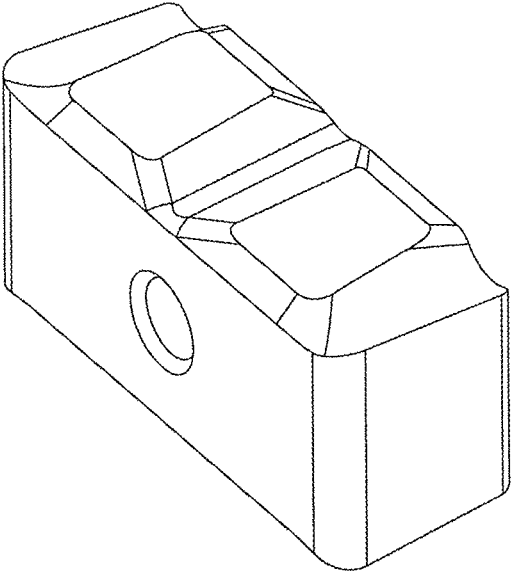


FIG. 2

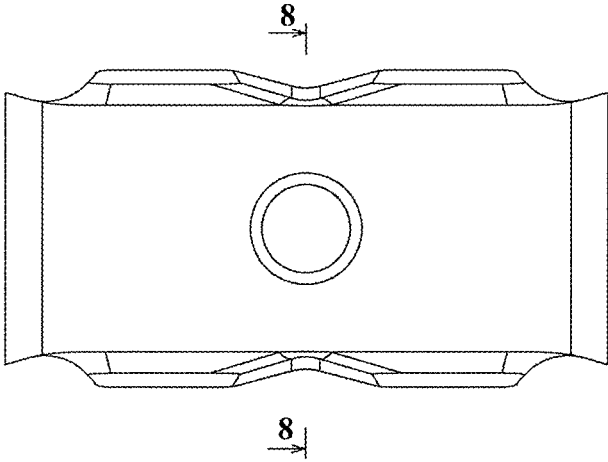


FIG. 3

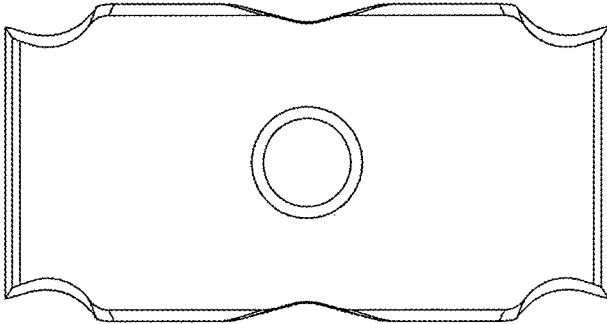


FIG. 4

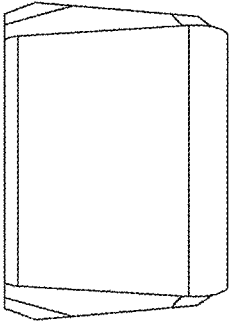


FIG. 5

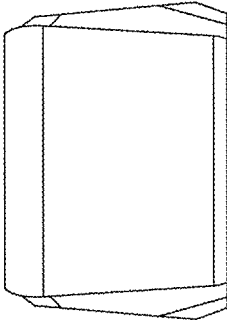


FIG. 6

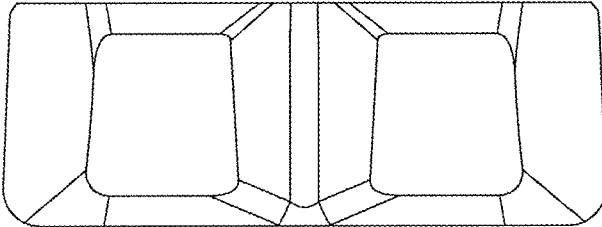




FIG. 7

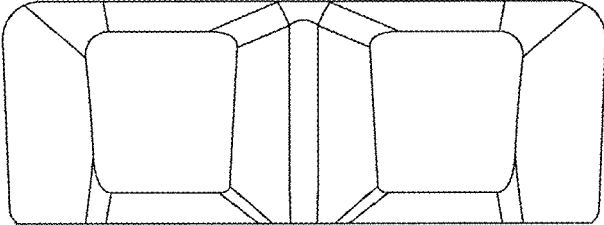


FIG. 8

