



US00D716551S

(12) **United States Design Patent**  
**Taylor**

(10) **Patent No.:** **US D716,551 S**

(45) **Date of Patent:** **\*\* Nov. 4, 2014**

(54) **LUGGAGE DEVICE**

(71) Applicant: **Rebecca Eve Taylor**, Denver, CO (US)

(72) Inventor: **Rebecca Eve Taylor**, Denver, CO (US)

(73) Assignee: **Thule Organization Solutions, Inc.**,  
Longmont, CO (US)

(\*\*) Term: **14 Years**

(21) Appl. No.: **29/435,371**

(22) Filed: **Oct. 23, 2012**

(51) **LOC (10) Cl.** ..... **03-01**

(52) **U.S. Cl.**  
USPC ..... **D3/299**

(58) **Field of Classification Search**  
CPC ..... A45C 3/06; A45C 3/00  
USPC ..... D3/215, 280, 299, 232-246; D2/815,  
D2/835, 838, 843, 625, 627; D11/212;  
150/100, 101, 102, 118, 119, 128  
See application file for complete search history.

(56) **References Cited**

**U.S. PATENT DOCUMENTS**

D101,920 S *	11/1936	Lewis	.....	D3/243
D141,472 S *	6/1945	Pichel	.....	D3/243
D159,767 S *	8/1950	Weinstein	.....	D3/243
D570,107 S *	6/2008	Guyon et al.	.....	D3/243
D572,471 S *	7/2008	Saconay-Duhart	.....	D3/246
D583,551 S *	12/2008	Stulman	.....	D3/232
D636,989 S *	5/2011	Dreyfuss	.....	D3/243
D693,572 S *	11/2013	Kuster et al.	.....	D3/243

**OTHER PUBLICATIONS**

Personalized canvas lunch bag for school work etc by Viveo. Store [online]. Etsy, 2014 [retrieved on Jan. 3, 2014]. Retrieved from the

Internet: <URL: <http://www.etsy.com/listing/174726487/personalized-canvas-lunch-bag-for-school?ref=market>>.\*  
Waxed Canvas and Leather Lunch Tote Waxed Canvas Lunch Bag by Zakken. Store [online]. Etsy, 2014 [retrieved on Jan. 3, 2014]. Retrieved from the Internet: <URL: <http://www.etsy.com/listing/180231698/waxed-canvas-and-leather-lunchtote?ref=market>>.\*  
Waxed Canvas and Leather Lunch Tote Waxed Canvas Lunch Bag by Zakken. Store [online]. Etsy, 2014 [retrieved on Jan. 3, 2014]. Retrieved from the Internet: <URL: <http://www.etsy.com/listing/160626501/waxed-canvas-and-leather-lunch-tote?ref=market>>.\*

\* cited by examiner

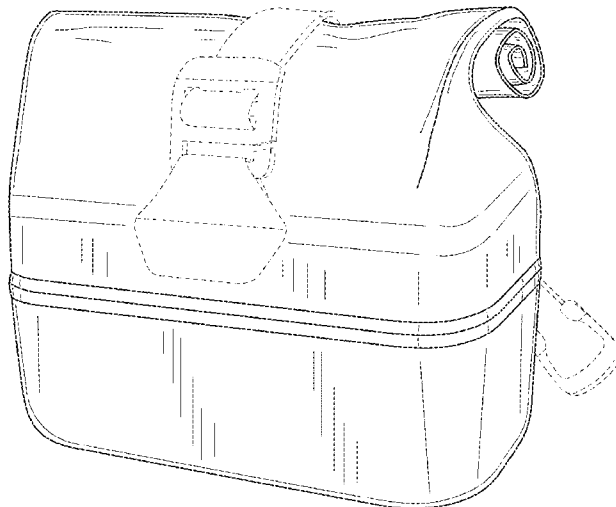
*Primary Examiner* — Cathron Brooks  
*Assistant Examiner* — Ethiene Salgado-Rodriguez  
(74) *Attorney, Agent, or Firm* — Sheridan Ross P.C.

(57) **CLAIM**  
The ornamental design for a luggage device, as shown and described.

**DESCRIPTION**

FIG. 1 is a front perspective view of a luggage device showing my new design;  
FIG. 2 is a top plan view thereof;  
FIG. 3 is a front elevation view thereof;  
FIG. 4 is a right elevation view thereof;  
FIG. 5 is a left elevation view thereof;  
FIG. 6 is a rear elevation view thereof; and,  
FIG. 7 is a bottom plan view thereof.  
The broken lines in the figures are included for the purpose of illustrating portions of the luggage device that form no part of the claimed design.

**1 Claim, 3 Drawing Sheets**



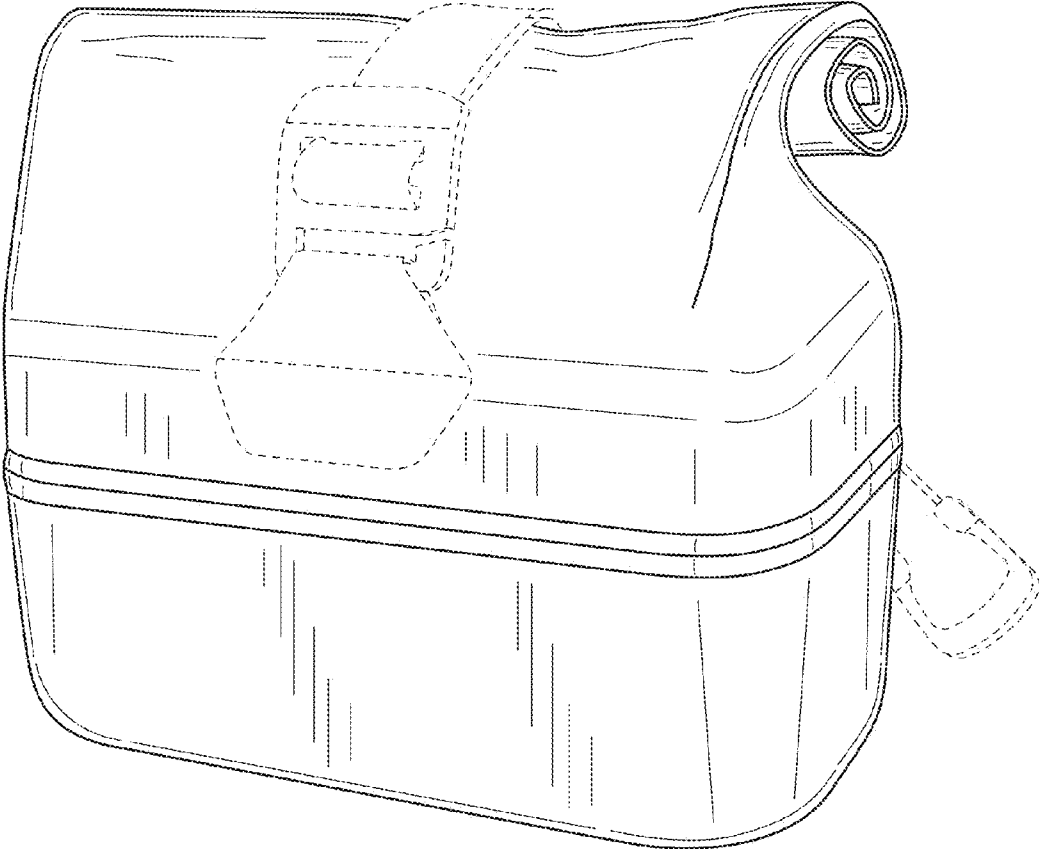


FIG.1

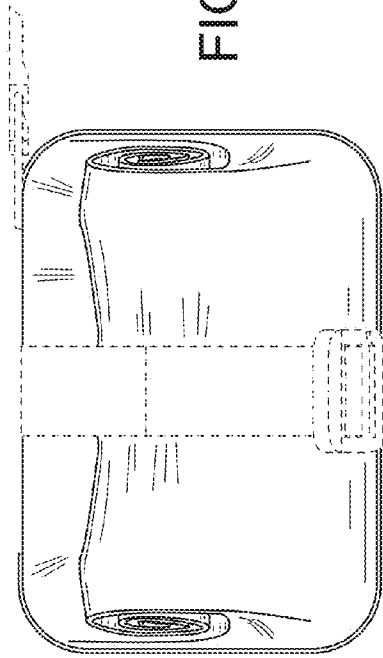


FIG. 2

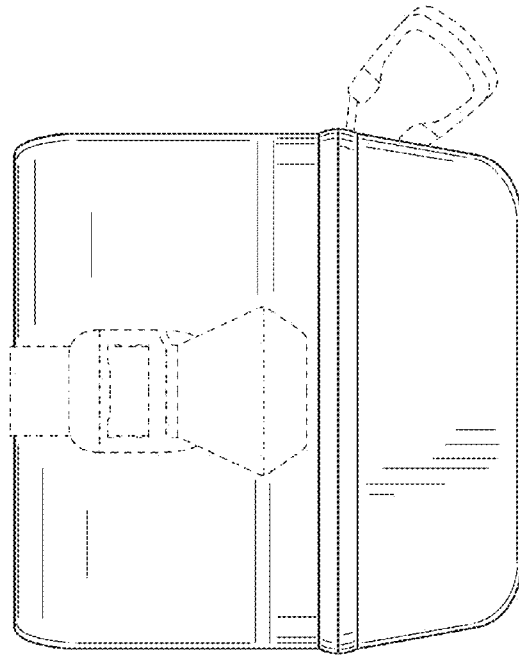


FIG. 3

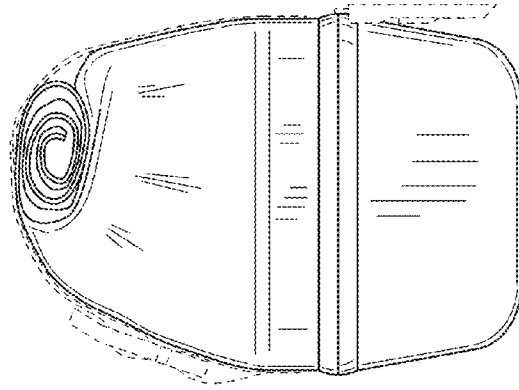


FIG. 4

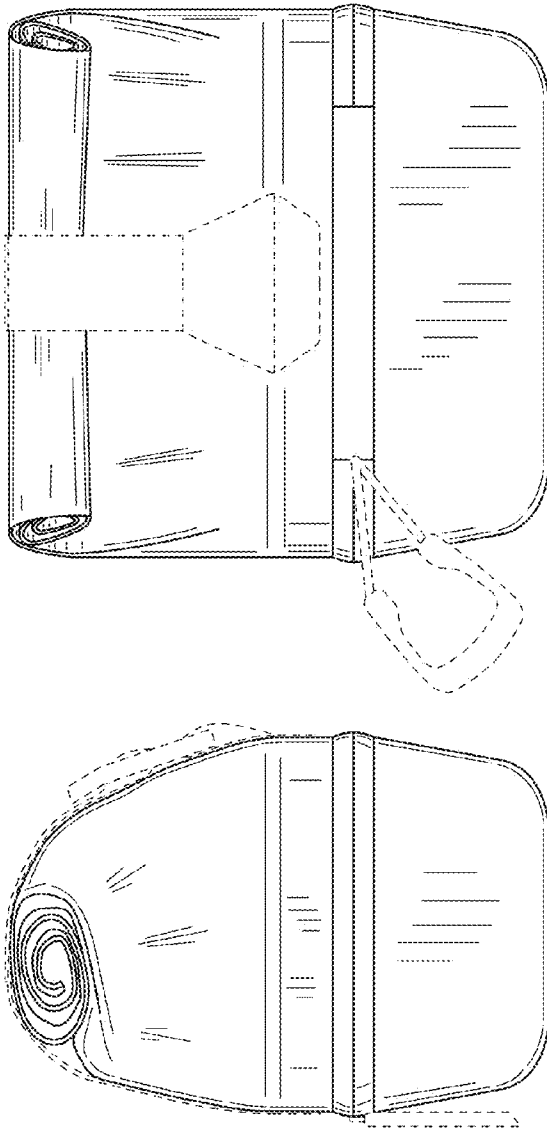


FIG.5

FIG.6

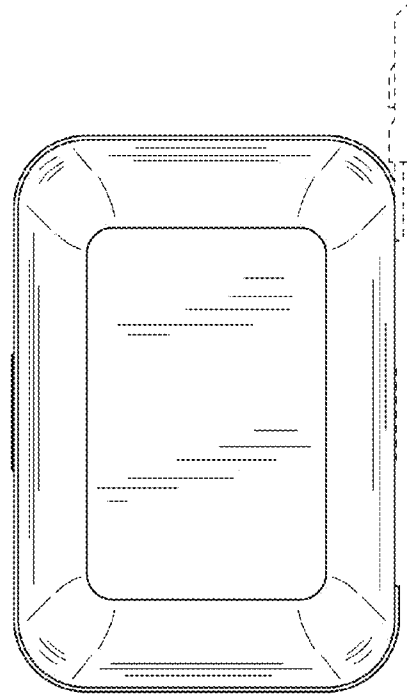


FIG.7