



US00D853117S

(12) **United States Design Patent**
McBride

(10) **Patent No.:** **US D853,117 S**

(45) **Date of Patent:** **** Jul. 9, 2019**

- (54) **ROLL-UP ITEM ORGANIZER AND TOTE**
- (71) Applicant: **EARLYBIRD BLUE, LLC**, Charlotte, NC (US)
- (72) Inventor: **Julie Marie McBride**, San Diego, CA (US)
- (73) Assignee: **Earlybird Blue, LLC**, Charlotte, NC (US)
- (**) Term: **15 Years**
- (21) Appl. No.: **29/676,004**
- (22) Filed: **Jan. 7, 2019**

Related U.S. Application Data

- (63) Continuation of application No. 29/619,360, filed on Sep. 28, 2017, now Pat. No. Des. 840,685, which is a continuation of application No. 29/607,928, filed on Jun. 16, 2017, now Pat. No. Des. 831,354.
- (51) **LOC (11) Cl.** **03-01**
- (52) **U.S. Cl.**
USPC **D3/299**
- (58) **Field of Classification Search**
USPC D6/315-328, 513, 514; D3/283, 299, D3/303
CPC .. A47G 25/746; A47G 25/36; A47G 25/0685; A47G 25/005; A47G 25/38; A47G 25/0664; A47G 25/90; A47G 29/00; A47G 25/56; A47F 7/08; A47F 5/0006; A47F 7/00; A47F 7/19; A47F 7/24; A47F 5/10; A47F 5/0043; A47B 61/04; A47B 96/027; A47B 61/003; A47B 87/0207; A47B 47/00; A47B 45/00

See application file for complete search history.

(56) **References Cited**

U.S. PATENT DOCUMENTS

- 1,526,122 A * 2/1925 Dau A45C 11/26 206/479
- 4,735,246 A * 4/1988 Niehaus A45C 7/0095 206/6.1
- D297,283 S * 8/1988 Gray D3/299
- 4,821,883 A * 4/1989 Miller A45C 7/0095 206/225
- D321,789 S * 11/1991 Martorella D3/293
- D466,686 S * 12/2002 Brookhouse D3/206

(Continued)

Primary Examiner — Lauren R Calve

(74) *Attorney, Agent, or Firm* — Northstar Law Group; Thomas J. Bassolino

(57) **CLAIM**

What is claimed is the ornamental design for a roll-up item organizer and tote, as shown and described.

DESCRIPTION

FIG. 1 is a front perspective view of a roll-up item organizer and tote;

FIG. 2 is a front view thereof;

FIG. 3 is a rear view thereof;

FIG. 4 is a left side view thereof;

FIG. 5 is a right side view thereof;

FIG. 6 is a top view thereof;

FIG. 7 is a bottom view thereof;

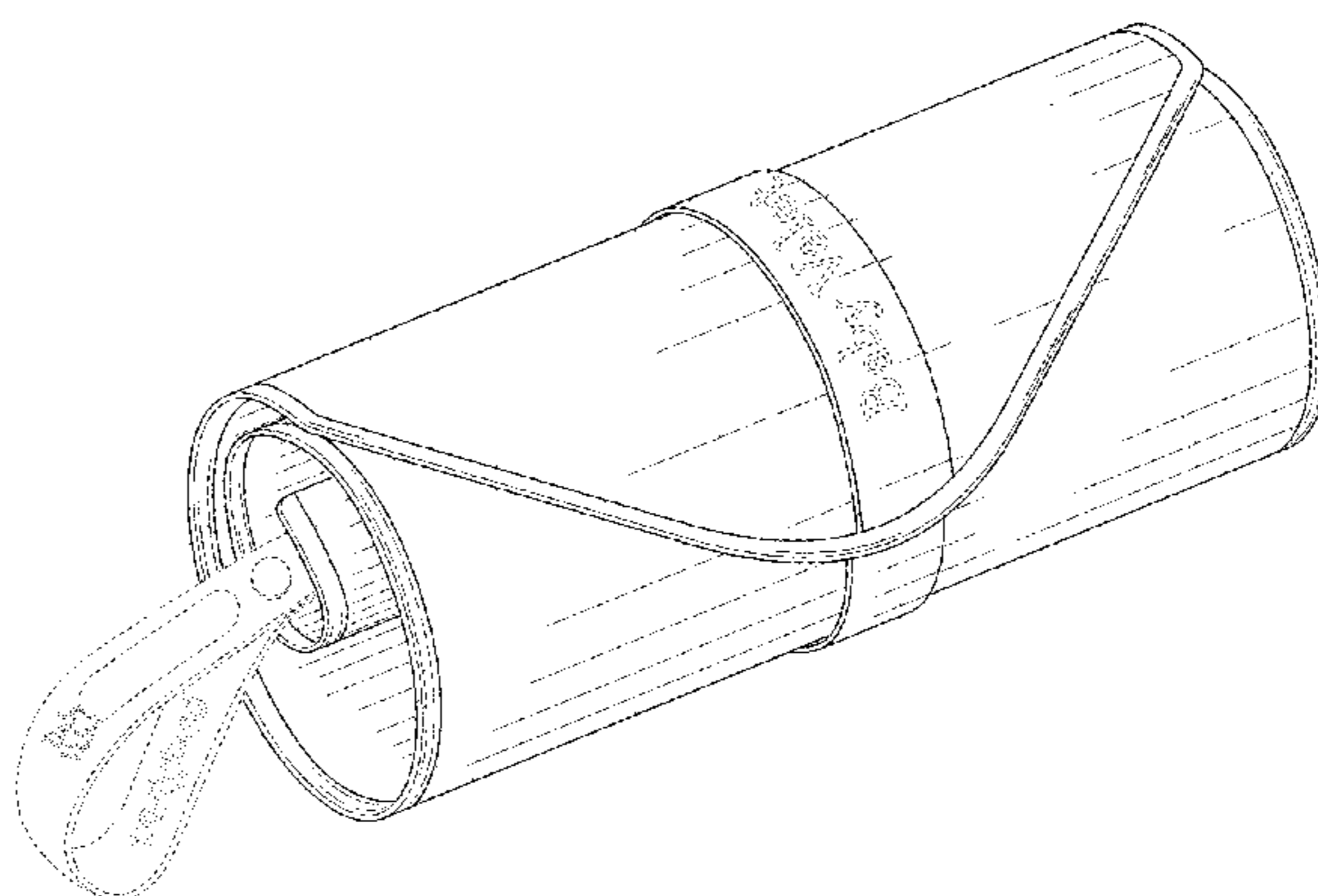
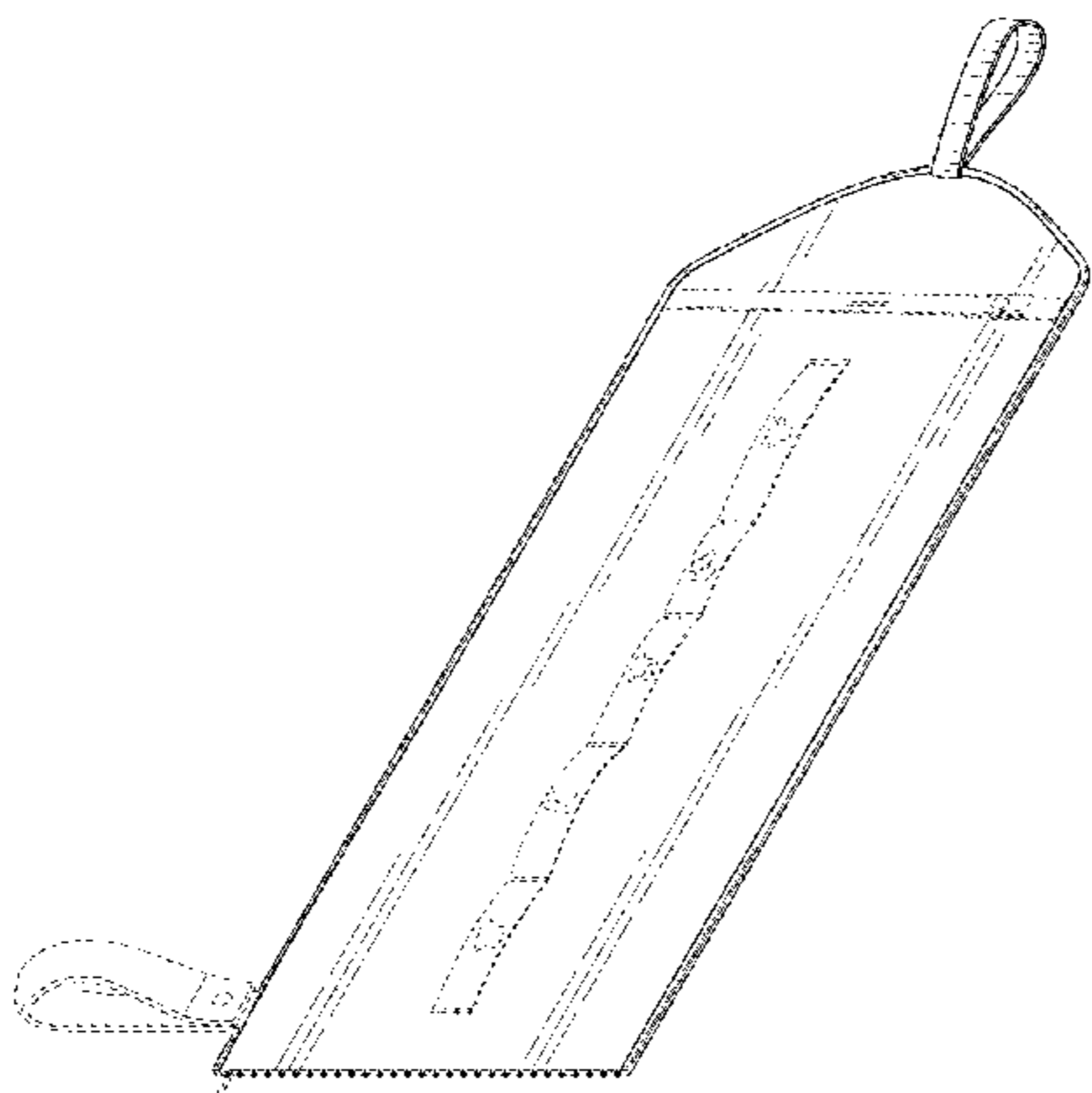
FIG. 8 is a front perspective view of the roll-up item organizer and tote shown in an alternate configuration and in environmental use;

FIG. 9 is a rear view of the roll-up item organizer and tote shown with an unclaimed optional pattern thereon; and,

FIG. 10 is a top perspective view of the roll-up item organizer and tote shown in a rolled-up configuration with an optional logo shown thereon.

The broken lines showing portions of the design are for illustrative purposes only and form no part of the claimed design.

1 Claim, 7 Drawing Sheets



(56)

References Cited

U.S. PATENT DOCUMENTS

6,763,943	B1 *	7/2004	Domyan	D05C 1/065 206/388
D544,274	S *	6/2007	Hume	D6/553
D578,802	S *	10/2008	Russell	D6/682.4
D595,918	S *	7/2009	Walter	D34/27
D603,165	S *	11/2009	Losiewicz	D3/299
7,806,124	B2 *	10/2010	Mackinder	A45C 11/26 132/222
D627,163	S *	11/2010	Kittrell	D3/283
D627,167	S *	11/2010	Kittrell	D3/299
D631,244	S *	1/2011	Ferrence	D3/205
D646,485	S *	10/2011	Mason	D3/284
8,479,918	B2 *	7/2013	Howard	A61B 42/50 206/278
D719,748	S *	12/2014	Higbie	D6/328
D720,537	S *	1/2015	Taller	D3/285
D795,581	S *	8/2017	Cruz	D3/303
D831,354	S *	10/2018	McBride	D3/299
2004/0222125	A1 *	11/2004	Meing	A45C 11/26 206/581
2009/0127045	A1 *	5/2009	Williams	A45C 7/0059 190/107
2012/0111741	A1 *	5/2012	Walters	A45C 11/26 206/6.1
2013/0256159	A1 *	10/2013	Walsh	A45C 11/16 206/6.1

* cited by examiner

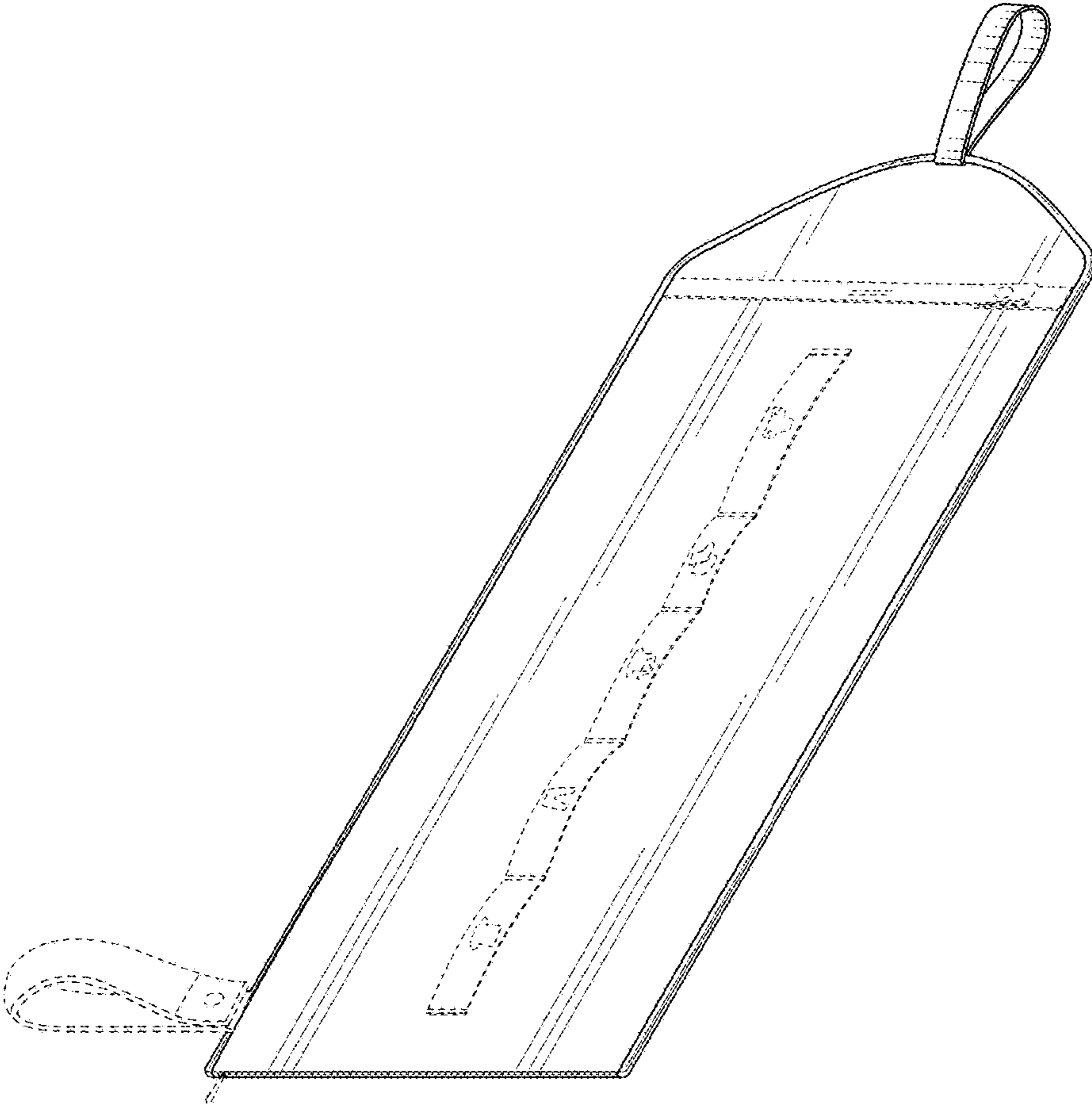


FIG. 1

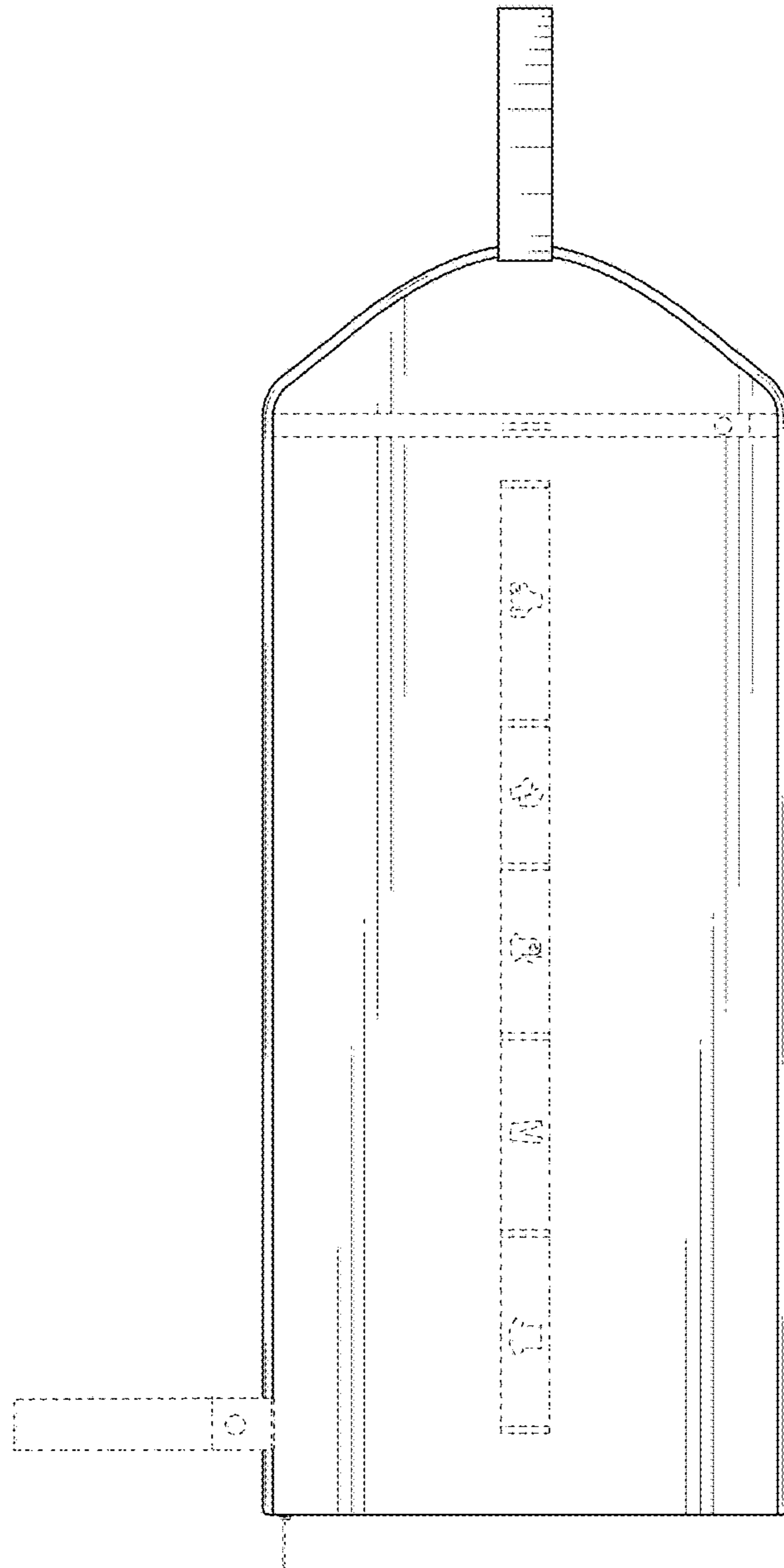


FIG. 2

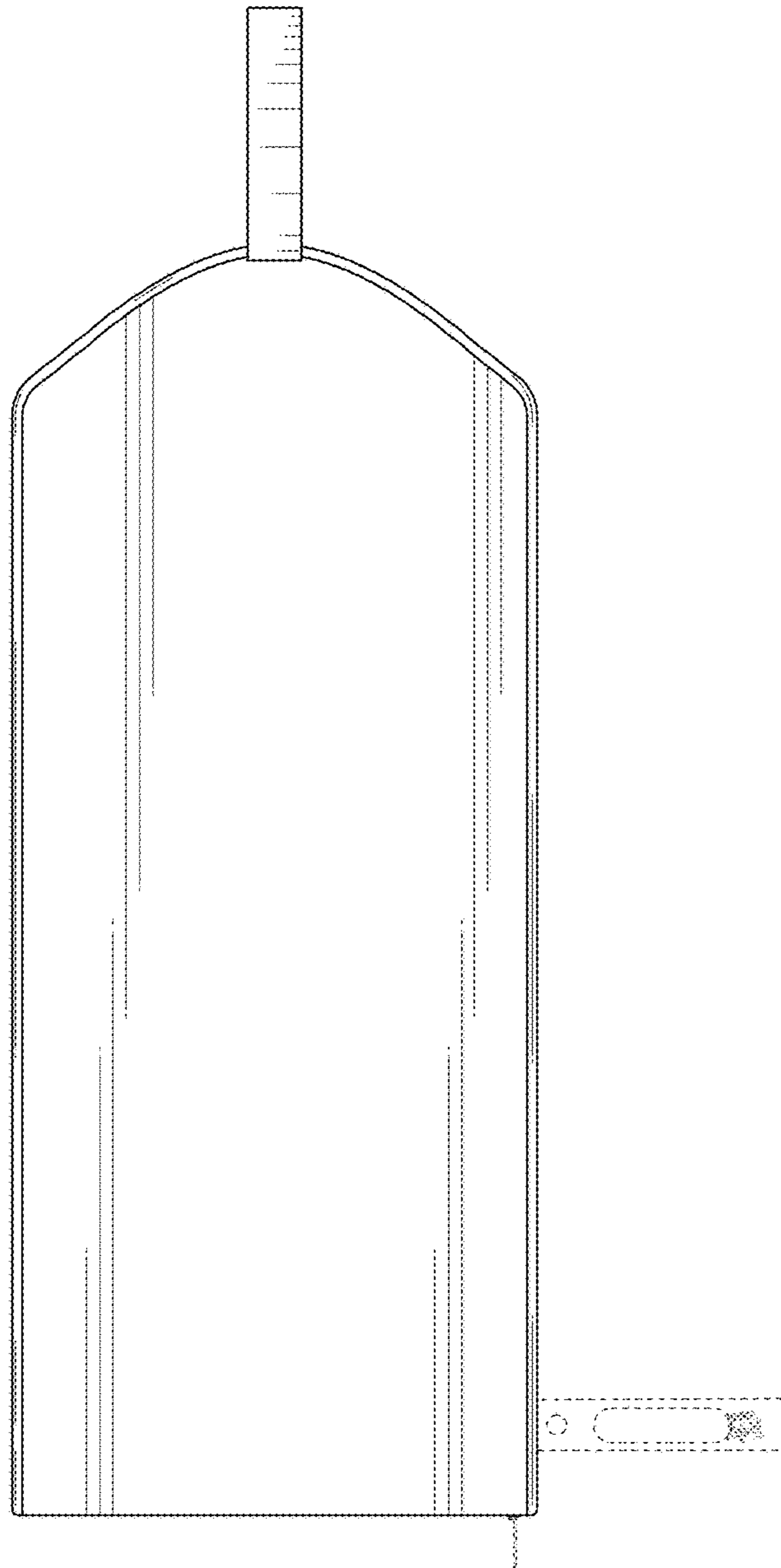


FIG. 3

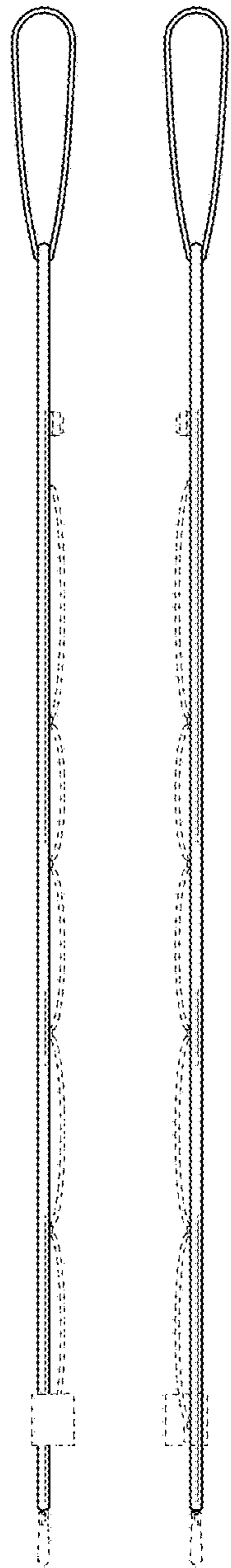


FIG. 4 FIG. 5

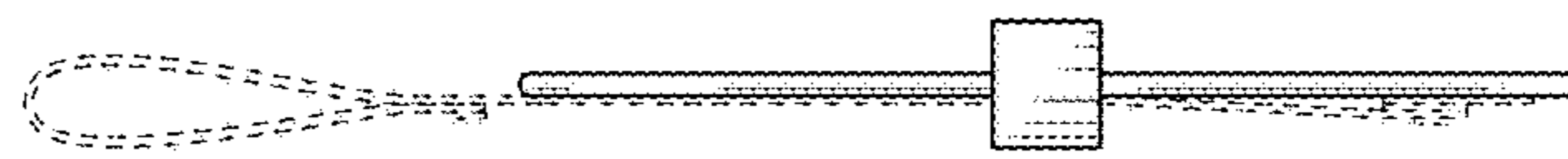


FIG. 6



FIG. 7

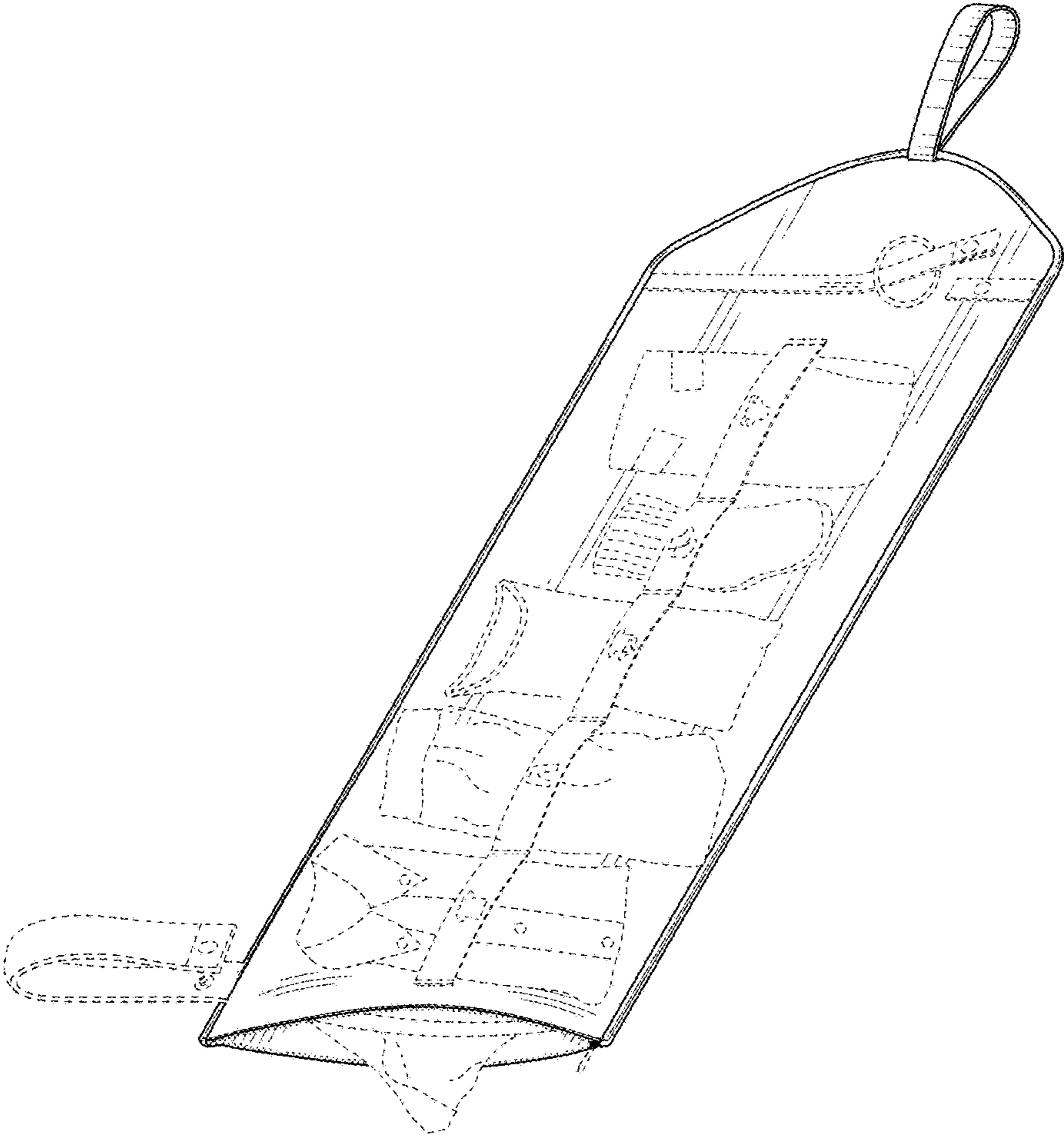


FIG. 8

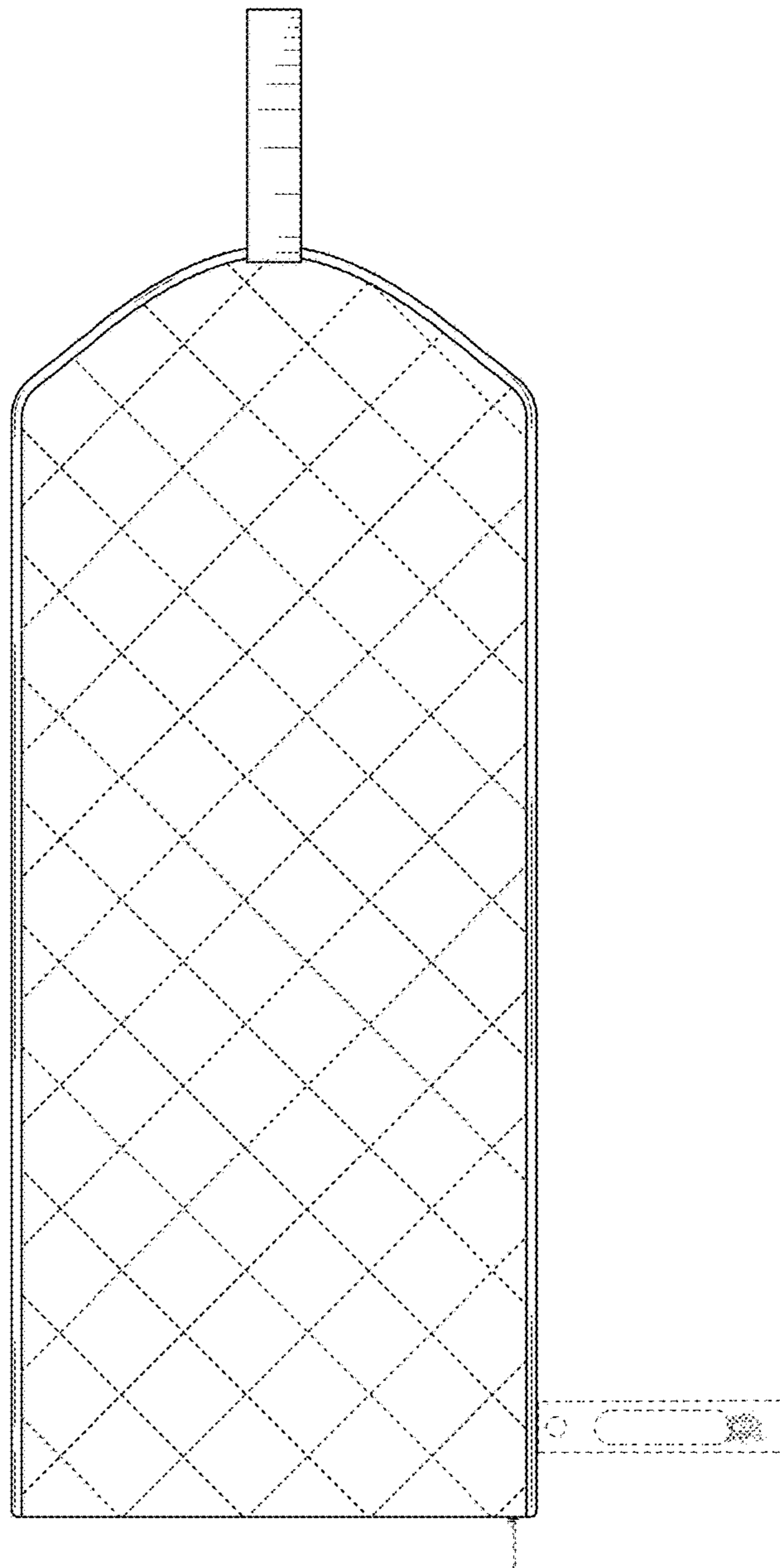


FIG. 9

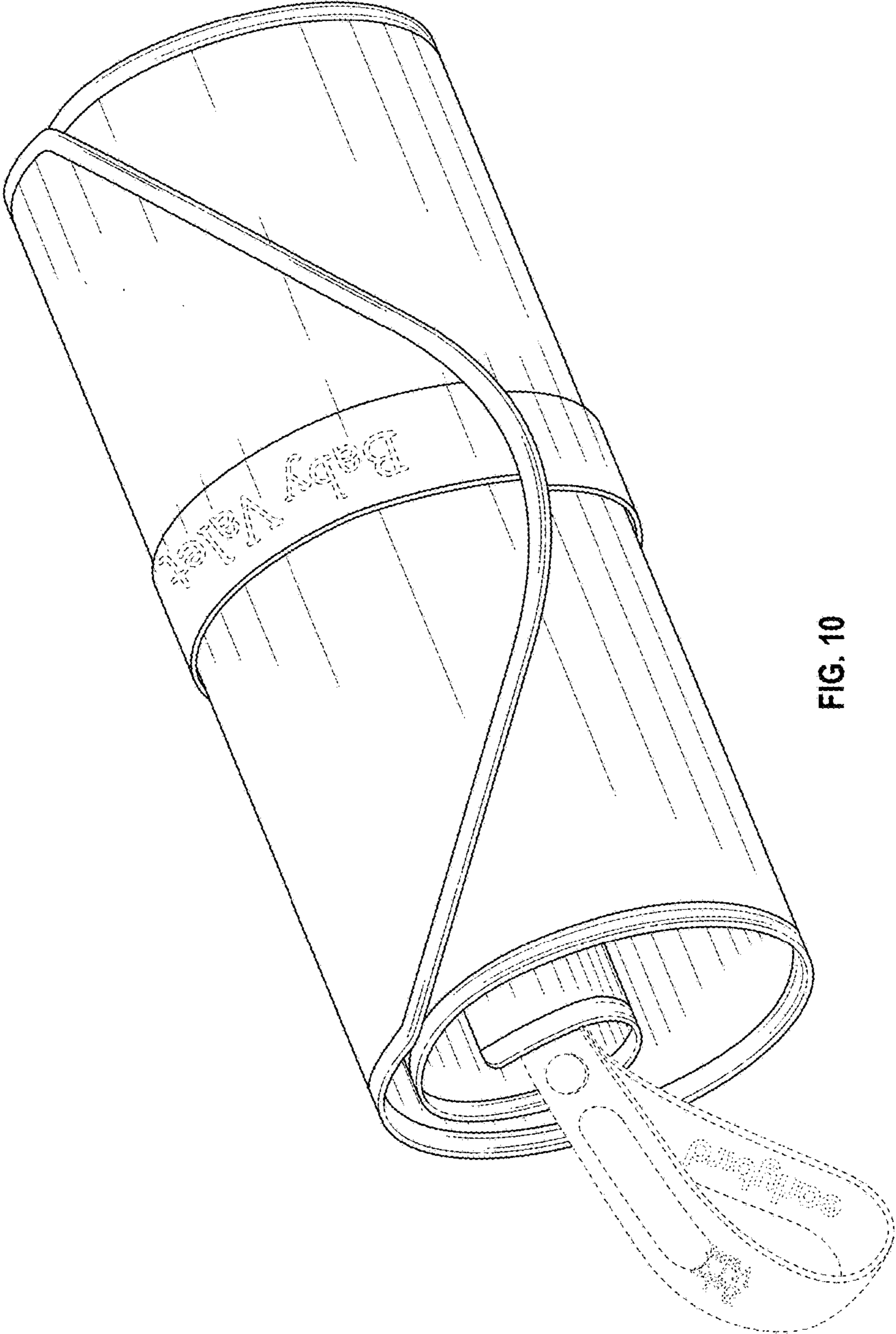


FIG. 10