



US00D751745S

(12) **United States Design Patent**
Wang

(10) **Patent No.:** **US D751,745 S**

(45) **Date of Patent:** **** Mar. 15, 2016**

(54) **WALL LAMP**

(71) Applicant: **Xiamen Xing HengLong Lighting Technology Co., Ltd.**, Xiamen (CN)

(72) Inventor: **Hongyan Wang**, Xiamen (CN)

(73) Assignee: **Xiamen Xing Henglong Lighting Technology Co., Ltd.**, Xiamen (CN)

(**) Term: **14 Years**

(21) Appl. No.: **29/492,419**

(22) Filed: **May 30, 2014**

(51) **LOC (10) Cl.** **26-03**

(52) **U.S. Cl.**
USPC **D26/63**

(58) **Field of Classification Search**
USPC D26/1, 24, 61, 63, 65, 85, 92
CPC F21V 21/14; F21V 15/01; F21V 14/02;
F21V 21/30; F21V 21/00; F21V 14/00;
F21S 8/00; F21S 8/003; F21S 8/043; F21Y
2105/001

See application file for complete search history.

(56) **References Cited**

U.S. PATENT DOCUMENTS

D535,774 S *	1/2007	Weston et al.	D26/61
D615,235 S *	5/2010	Zheng	D26/63
D642,721 S *	8/2011	Li et al.	D26/63
D644,776 S *	9/2011	Rea et al.	D26/63
D695,435 S *	12/2013	Pedersen	D26/63

* cited by examiner

Primary Examiner — Brian N Vinson

(74) *Attorney, Agent, or Firm* — Wang Law Firm, Inc.

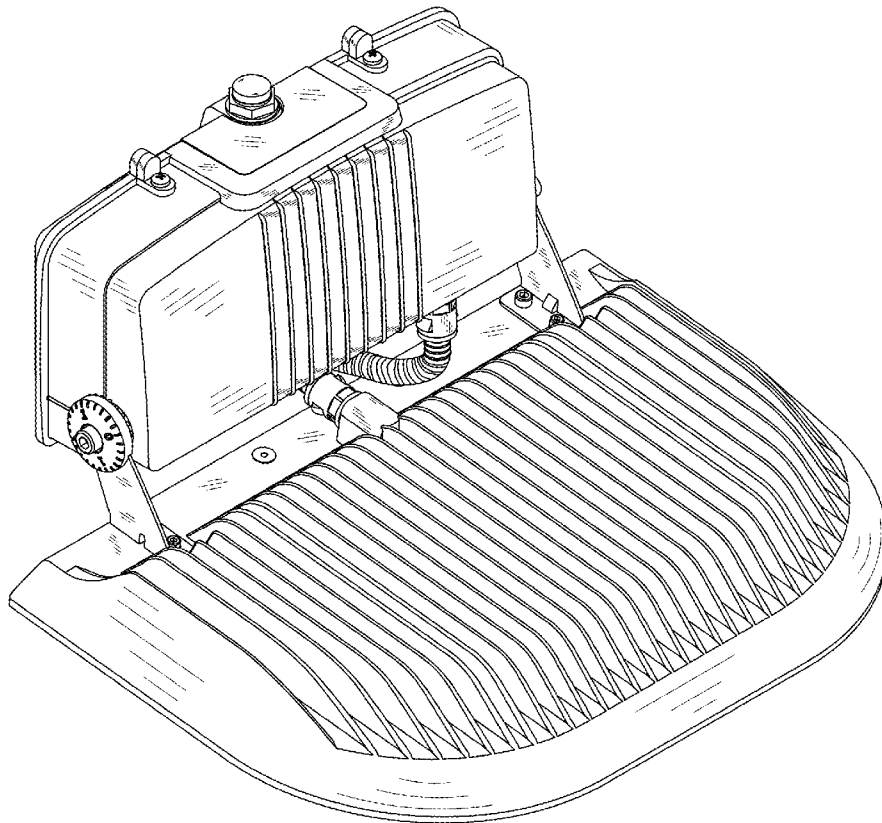
(57) **CLAIM**

The ornamental design for a wall lamp, as shown and described.

DESCRIPTION

FIG. 1 is a front view of a wall lamp showing my new design; FIG. 2 is a rear view thereof; FIG. 3 is a left side view thereof; FIG. 4 is a right side view thereof; FIG. 5 is a top plan view thereof; FIG. 6 is a bottom plan view thereof; and, FIG. 7 is a perspective view thereof. The broken line disclosure in the views represents portions of the wall lamp which form no part of the claimed design.

1 Claim, 7 Drawing Sheets



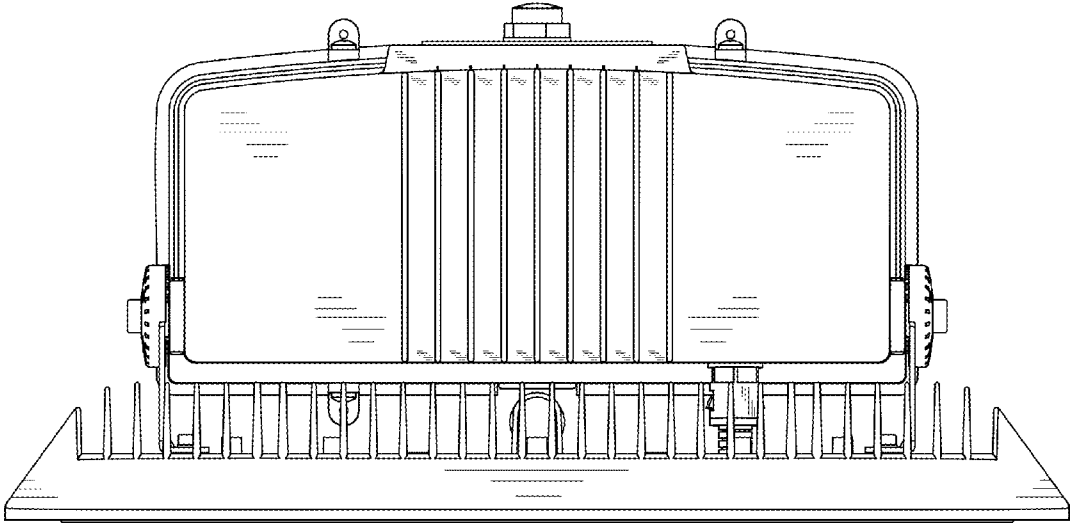


FIG. 1

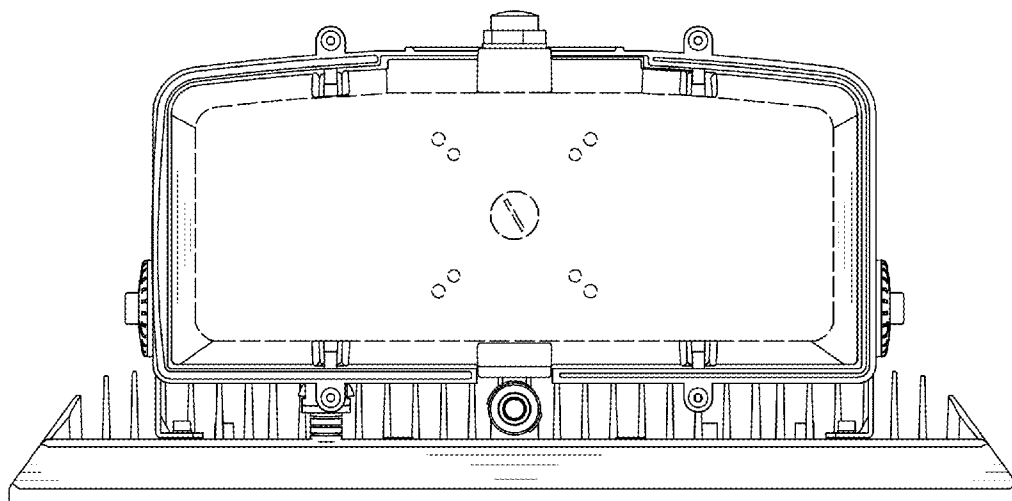


FIG. 2

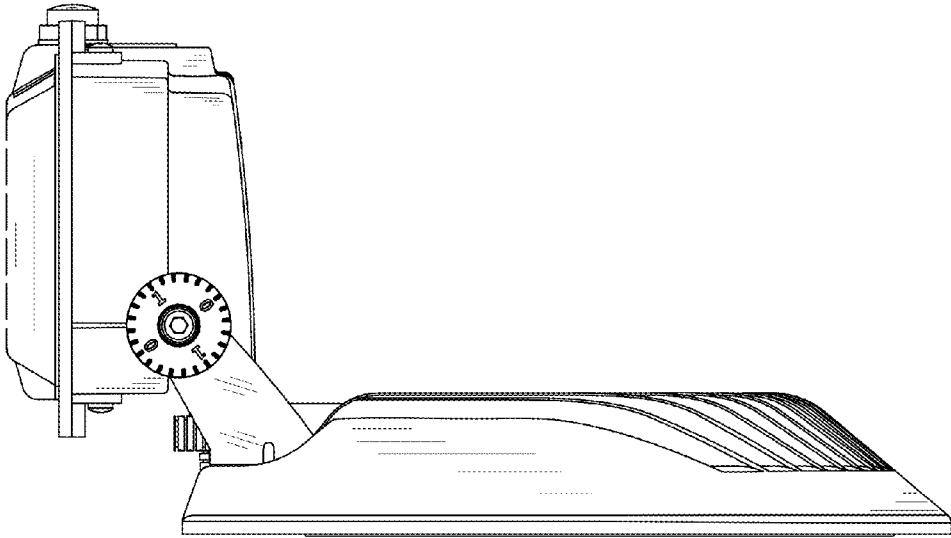


FIG. 3

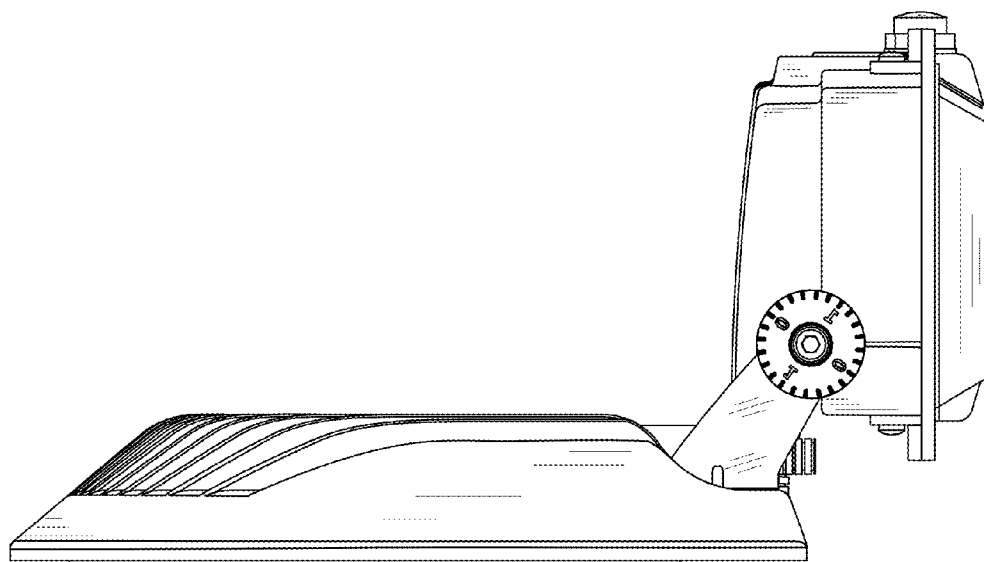


FIG. 4

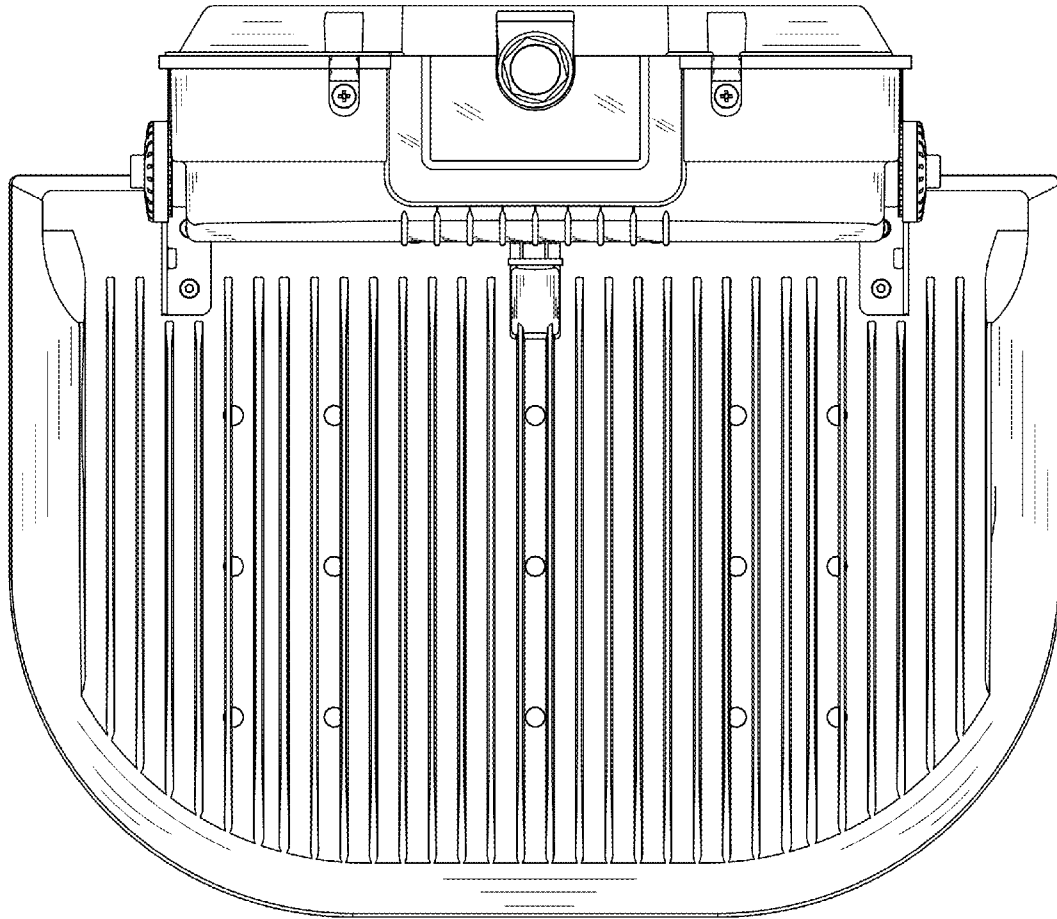


FIG. 5

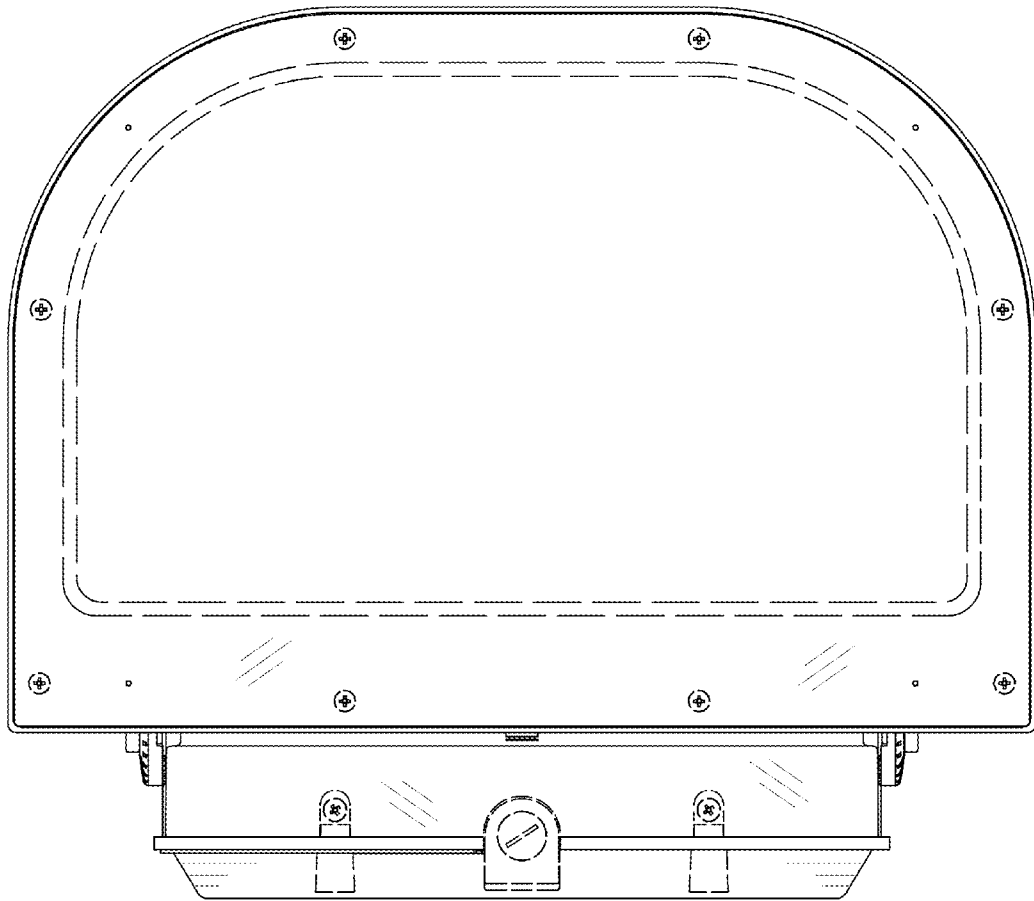


FIG. 6

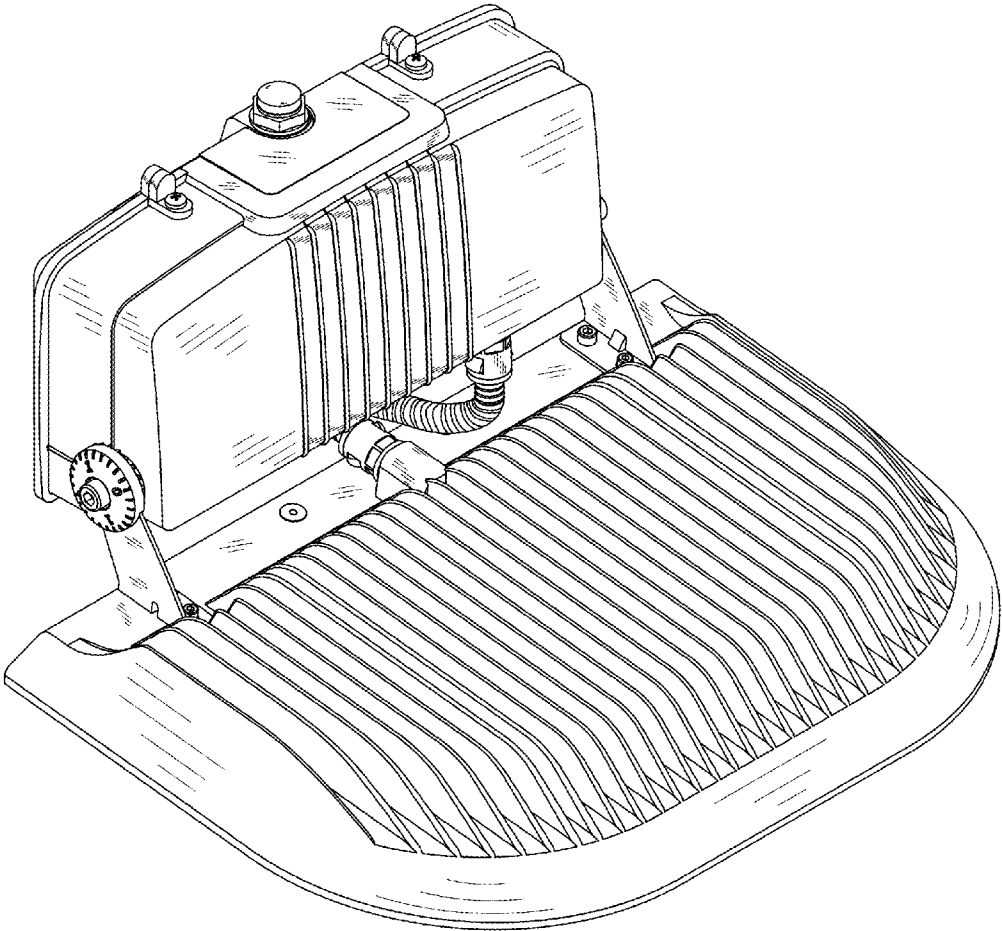


FIG. 7