

(21) Application No 9206247.0

(22) Date of filing 23.03.1992

(71) Applicant
Mary Elizabeth Anne Rowell
Longshaw, North Cliff, Tenby,
Pembrokeshire, SA70 8AT, United Kingdom

(72) Inventor
Mary Elizabeth Anne Rowell

(74) Agent and/or Address for Service
Urquhart-Dykes & Lord
Alexandra House, 1 Alexandra Road,
Swansea, SA1 5ED, United Kingdom

(51) INT CL⁵
A61J 9/08

(52) UK CL (Edition L)
A5X X5X
F4U U52B

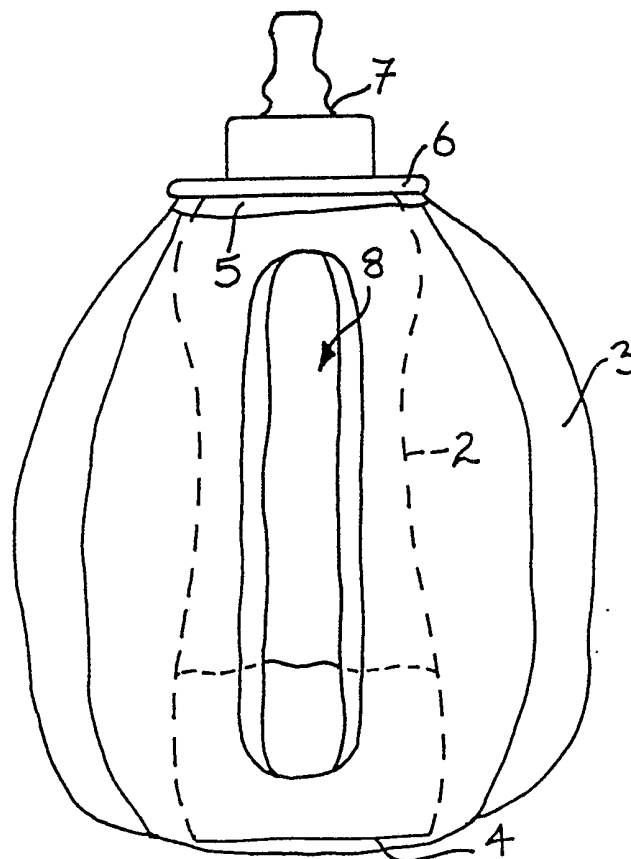
(56) Documents cited
GB 1013331 A GB 0261826 A US 4293015 A

(58) Field of search
UK CL (Edition L) A5X X5L X5X, F4U U52B U52D
INT CL⁵ A61J, B65D
Online databases: WPI, CLAIMS

(54) Padded sheath for feeding bottle

(57) A sheath for receiving a baby's feeding bottle comprises a padded jacket portion 3 arranged to surround the bottle and extend from a base 4 to a collar 5 which is secured around the neck of the feeding bottle. The sheath is provided with an elongate window 8 extending between the base and collar which aids insertion of the bottle into the sheath and enables visual inspection of the liquid level in the bottle. The sheath provides a means of tactile simulation for a baby drinking from the bottle and is more easily held than the bottle alone would be.

FIGURE 2



At least one drawing originally filed was informal and the print reproduced here is taken from a later filed formal copy.

The claims were filed later than the filing date within the period prescribed by Rule 25(1) of the Patents Rules 1990.

1/1

FIGURE 1

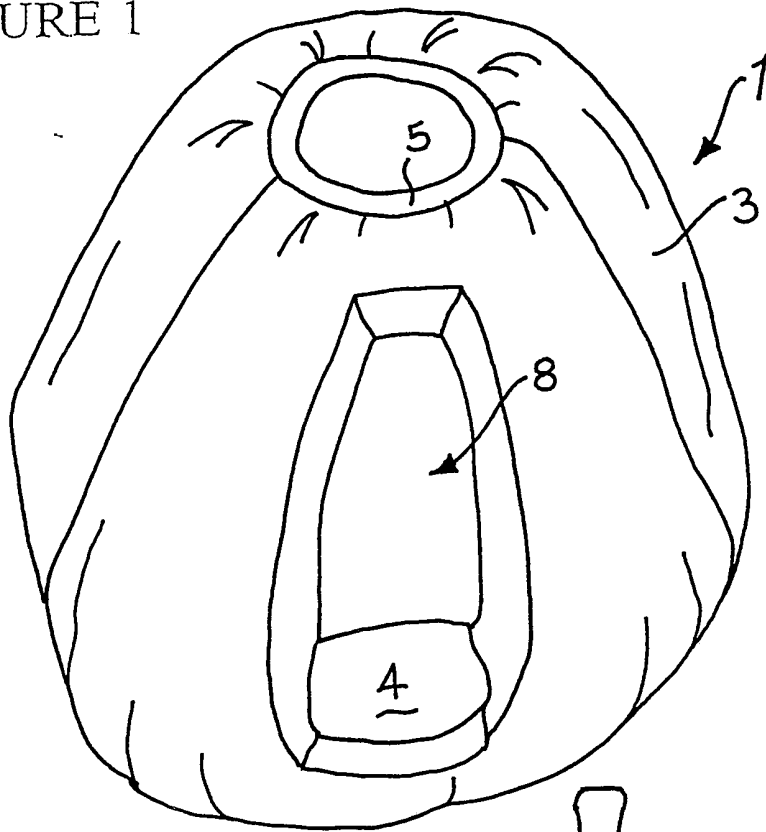
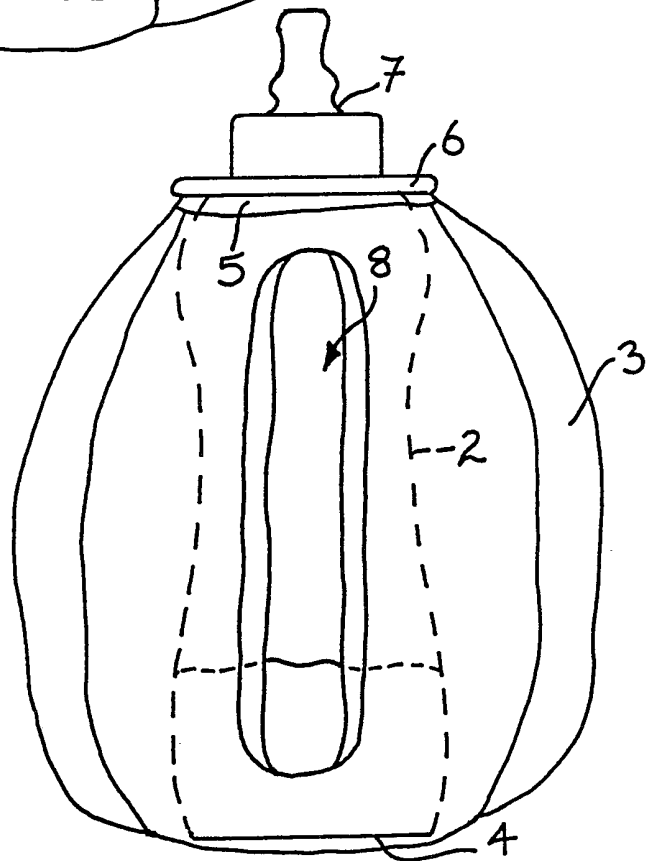


FIGURE 2



Sheath for Feeding Bottle

This invention relates to a sheath for a feeding bottle and in particular to a sheath for a baby's feeding bottle.

According to the invention, there is provided a sheath for a baby's feeding bottle, which sheath comprises a base portion and padded jacket portion extending from said base portion to an apertured collar portion, said collar portion being spaced from said base portion and provided with securing means adapted to grippingly engage said feeding bottle proximate a neck region of said bottle, said sheath having an elongate window extending in a longitudinal direction between the base portion and the collar portion.

In use, the feeding bottle is received in the sheath with the base of the bottle contiguous with the base portion of the sheath. When received in the sheath, the top of the bottle projects through the apertured collar portion with the container side of the bottle being surrounded by the padded jacket portion.

Typically the padded jacket portion comprises a flexible sheet-like casing containing suitable padding or stuffing material such as textile wadding, a foam insert (or inserts) or the like. The flexible sheet may be, for example, of plastics material or, more preferably, of a textile fabric material.

The base portion may be of a substantially rigid, or alternatively flexible, sheet like material. It is preferred that the base portion forms an integral part of the jacket portion. The base portion is preferably free of padding or stuffing material.

The elongate window enables the level of liquid in the bottle to be viewed when the bottle is received in the sheath. The window is preferably an aperture, which therefore also aids manipulation when inserting the bottle in the sheath.

Advantageously, the apertured collar is expandable to receive the bottle. The securing means provided for the collar may be a simple draw thread or cord passing around the collar which may be tied to grippingly engage the bottle when the latter is inserted in the sheath. More preferably, the collar portion is resiliently expandable on insertion of the bottle, the resilience of the collar thereby grippingly engaging the bottle. To this end, the collar is preferably elasticated.

Typically, the resilient collar portion engages the bottle in a peripheral groove in the neck region, or spaced from the peripheral rim of the bottle.

The invention will now be further described in a particular embodiment by way of example only with reference to the accompanying drawings in which;

Figure 1 is a perspective view of a sheath according to the invention; and

Figure 2 is a side view of the sheath of Figure 1 with a feeding bottle inserted therein.

Referring to the drawings, the sheath, generally designated 1, comprises a stuffed outer jacket 3 of cloth material which is stuffed with textile wadding. The base 4 of the sheath 1 comprises a piece of textile fabric sheet which is stitched to the outer jacket 3 and against which in use the base of the feeding bottle 2 rests.

Spaced from the base sheet 4, the sheath is provided with an expandable elasticated collar 5 which, when the bottle 2 is inserted into the sheath 4, grippingly engages the bottle in the neck region, immediately below the rim 6 of the feeding teat 7. The bottle 2 is thereby retained securely within the sheath 1.

An elongate window aperture (or slit) 8 is provided in the jacket 3 extending from near the base 4 to near the collar 5. The window aperture 8 assists in manipulation of the bottle 2 on insertion into the sheath 1, and also enables visual inspection of the level of the fluid in the bottle 2 when the latter is received in the sheath 1.

It is important that the base 4 should be of relatively thin textile material (or alternatively of rigid sheet), thereby enabling the bottle 2 to rest upright on a supporting surface when the bottle 2 is received therein.

The sheath 1 provides means of tactile stimulation for a baby drinking from the bottle 2, in addition being more easily held by the baby than the bottle alone would. Furthermore, the jacket 3 may be decorated such that the baby's interest is stimulated; for example, it may take the shape of an animal head or the like.

CLAIMS:

1. A sheath for a baby's feeding bottle, which sheath comprises a base portion and padded jacket portion extending from said base portion to an apertured collar portion, said collar portion being spaced from said base portion and provided with securing means adapted to grippingly engage said feeding bottle proximate a neck region of said bottle, said sheath having an elongate window extending in a longitudinal direction between the base portion and the collar portion.
2. A sheath according to claim 1, wherein the padded jacket portion comprises a flexible sheet-like casing containing padding or stuffing material.
3. A sheath according to claim 2, wherein the flexible sheet material comprises a textile fabric material.
4. A sheath according to any preceding claim, wherein the base portion comprises an integral part of the jacket portion.
5. A sheath according to any preceding claim wherein the base portion is substantially free of padding or stuffing material.
6. A sheath according to any preceding claim, wherein the window comprises an aperture in the jacket portion.
7. A sheath according to any preceding claim, wherein the collar portion is expandable to receive the bottle in the sheath.

8. A sheath according to claim 7, wherein the collar portion is resiliently expandable, the resilience of the collar portion providing the securing means to grippingly engage the bottle.
9. A sheath according to claim 8, wherein the resilient collar portion is arranged to engage the bottle in a peripheral groove provided proximate the neck region of the bottle.
10. A sheath according to any of claims 7 to 9, wherein the collar portion is elasticated.
11. A sheath substantially as herein described with reference to the accompanying drawings.

Patents Act 1977
Examiner's report to the Comptroller under
Section 17 (The Search Report)

Application number

GB 9206247.0

Relevant Technical fields

- (i) UK CI (Edition L) A5X (X5L, X5X); F4U (U52B, U52D)
- (ii) Int CI (Edition 5) A61J, B65D

Search Examiner

R J WALKER

Databases (see over)-

- (i) UK Patent Office
- (ii) ONLINE DATABASES: WPI, CLAIMS

Date of Search

23 JUNE 1993

Documents considered relevant following a search in respect of claims 1-11

Category (see over)	Identity of document and relevant passages	Relevant to claim(s)
X	GB 1013331 (FIELDING) See drawing	At least 1,2,4,6
A	GB 261826 (SCHUTZE) See page 2 lines 5-10	At least 1
A	US 4293015 (MCGOUGH) See drawings	At least 1



Category	Identity of document and relevant passages	Relevant to claim(s)

Categories of documents

X: Document indicating lack of novelty or of inventive step.

Y: Document indicating lack of inventive step if combined with one or more other documents of the same category.

A: Document indicating technological background and/or state of the art.

P: Document published on or after the declared priority date but before the filing date of the present application.

E: Patent document published on or after, but with priority date earlier than, the filing date of the present application.

&: Member of the same patent family, corresponding document.

Databases: The UK Patent Office database comprises classified collections of GB, EP, WO and US patent specifications as outlined periodically in the Official Journal (Patents). The on-line databases considered for search are also listed periodically in the Official Journal (Patents).