



US00D986375S

(12) **United States Design Patent**
Poindexter et al.

(10) **Patent No.:** **US D986,375 S**

(45) **Date of Patent:** **** May 16, 2023**

(54) **FILTER**

(71) Applicant: **Helen of Troy Limited**, St. Michael (BB)

(72) Inventors: **Michael Poindexter**, New York, NY (US); **Mathieu Zastawny**, Jersey City, NJ (US)

(73) Assignee: **Helen of Troy Limited**, St. Michael (BB)

(**) Term: **15 Years**

(21) Appl. No.: **29/851,409**

(22) Filed: **Aug. 29, 2022**

Related U.S. Application Data

(63) Continuation of application No. 29/776,186, filed on Mar. 29, 2021, now Pat. No. Des. 965,739.

(51) **LOC (14) Cl.** **23-01**

(52) **U.S. Cl.**
USPC **D23/209**

(58) **Field of Classification Search**

USPC D23/207, 209, 210, 325, 355, 363, 365; D24/162
CPC B01D 27/00; B01D 27/08; B01D 29/00; B01D 2201/306; B01D 2201/309; B01D 35/303; B01D 2221/02; C02F 1/002; C02F 1/003; C02F 9/005; C02F 2307/02; C02F 2307/04; C02F 2307/10

See application file for complete search history.

(56) **References Cited**

U.S. PATENT DOCUMENTS

4,642,183 A 2/1987 Hebert
D401,684 S * 11/1998 Shelton D23/365
D403,414 S * 12/1998 Shelton D23/365
D412,551 S 8/1999 Smith
D420,094 S * 2/2000 Woodard, Jr. D23/209

D440,294 S * 4/2001 Bilek D23/365
6,238,552 B1 5/2001 Shannon
6,354,344 B1 3/2002 Pluta
6,565,743 B1 * 5/2003 Poirier B65D 51/00 116/284
D518,555 S 4/2006 De Muro, Jr.
D529,126 S 9/2006 Miller
D565,350 S 4/2008 Gauger
D594,927 S * 6/2009 Amtmann D23/209
D637,690 S 5/2011 Riedel
D638,097 S 5/2011 Busick
D656,577 S 3/2012 Salvador
(Continued)

OTHER PUBLICATIONS

Hskyhan Alkaline Water Filter, Jun. 17, 2017, Amazon, site visited Dec. 30, 2022: <https://www.amazon.com/dp/B072MMKN7N/> (Year: 2017).*

(Continued)

Primary Examiner — Jack Reickel
Assistant Examiner — Bobby W Jones, II
(74) *Attorney, Agent, or Firm* — Rankin, Hill & Clark LLP

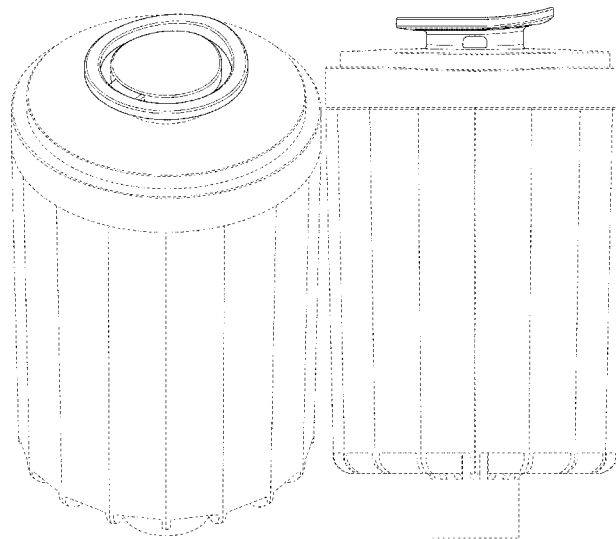
(57) **CLAIM**

The ornamental design for a filter, as shown and described.

DESCRIPTION

FIG. 1 is a perspective view of a filter showing our new design;
FIG. 2 is a front elevation view of FIG. 1;
FIG. 3 is a rear elevation view of FIG. 1;
FIG. 4 is a left side elevation view of FIG. 1;
FIG. 5 is a right side elevation view of FIG. 1;
FIG. 6 is a top plan view of FIG. 1; and,
FIG. 7 is a bottom plan view of FIG. 1.
The broken lines in the drawings depict portions of the filter that form no part of the claimed design.

1 Claim, 6 Drawing Sheets



(56)

References Cited

U.S. PATENT DOCUMENTS

8,308,942 B2 11/2012 Swain
 D679,812 S 4/2013 Taylor
 D684,009 S * 6/2013 Bell D7/397
 D717,395 S 11/2014 Neto
 D730,731 S 6/2015 Bewley, Jr.
 D751,170 S * 3/2016 Ruprecht D23/209
 D793,525 S 8/2017 Morris
 9,938,160 B2 4/2018 Ben-David
 D820,385 S * 6/2018 Bell D23/209
 D827,086 S * 8/2018 Bell D23/209
 D831,789 S 10/2018 Dani
 D835,233 S 12/2018 Coelho
 10,266,421 B1 4/2019 Mayo
 D956,923 S * 7/2022 Yang D23/209
 D965,739 S * 10/2022 Poindexter D23/209
 2003/0209484 A1 11/2003 Klotz
 2010/0126928 A1 * 5/2010 South F02M 37/32
 2012/0061312 A1 3/2012 Busick
 2013/0319915 A1 * 12/2013 Gellibolian C02F 1/002
 210/87

2014/0027368 A1 * 1/2014 Bell B01D 35/30
 210/470
 2015/0352468 A1 * 12/2015 Lin B01D 29/05
 210/335
 2016/0031719 A1 2/2016 Yang
 2016/0332103 A1 * 11/2016 Marks B01D 46/0005
 2017/0050127 A1 * 2/2017 Dani B01J 20/28052
 2018/0140981 A1 5/2018 Kinjo
 2018/0207560 A1 7/2018 Shotey
 2020/0229579 A1 * 7/2020 Rajan B65D 35/10
 2020/0376422 A1 * 12/2020 Kamimoto B01D 35/30

OTHER PUBLICATIONS

Replacement Pitcher Water Filter OB03, Oct. 27, 2021, Amazon, site visited Dec. 30, 2022: <https://www.amazon.com/dp/B09KGGPPQ2G/> (Year: 2021).
 Brita Standard Water Filter, Jun. 18, 2004, Amazon, site visited May 18, 2022: <https://www.amazon.com/dp/B00008IHL8/> (Year: 2004).
 Wamery Water Filter, Jul. 7, 2016, Amazon, site visited May 18, 2022: <https://www.amazon.com/dp/B01I7C5494/> (Year: 2016).

* cited by examiner

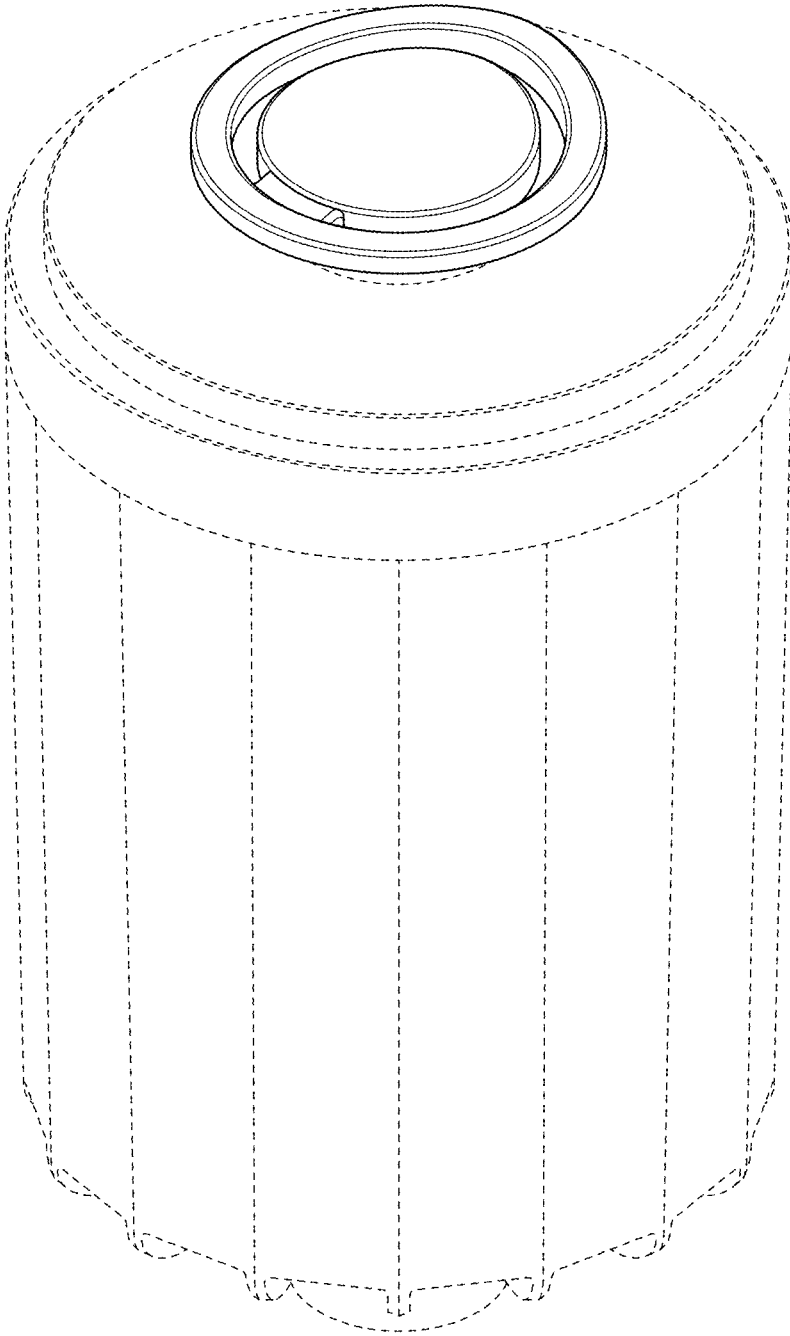


FIG. 1

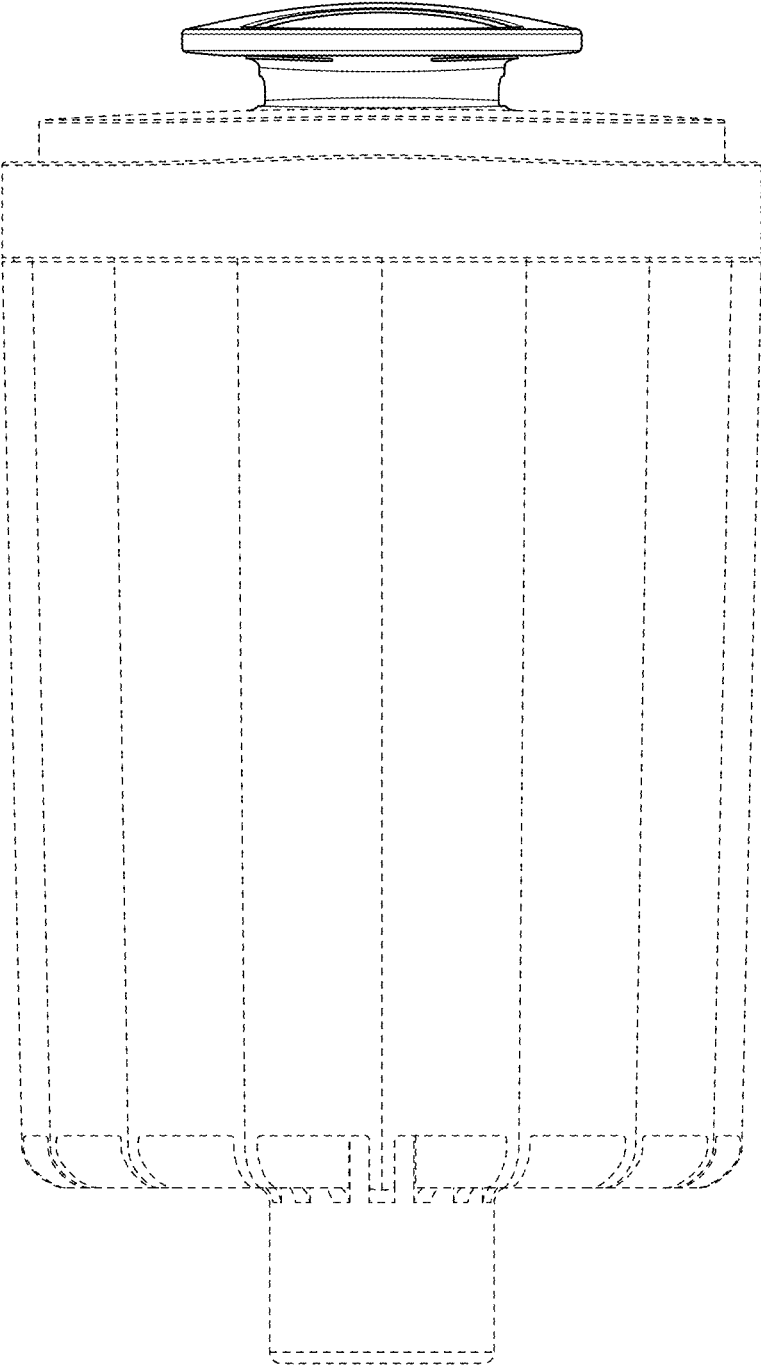


FIG. 2

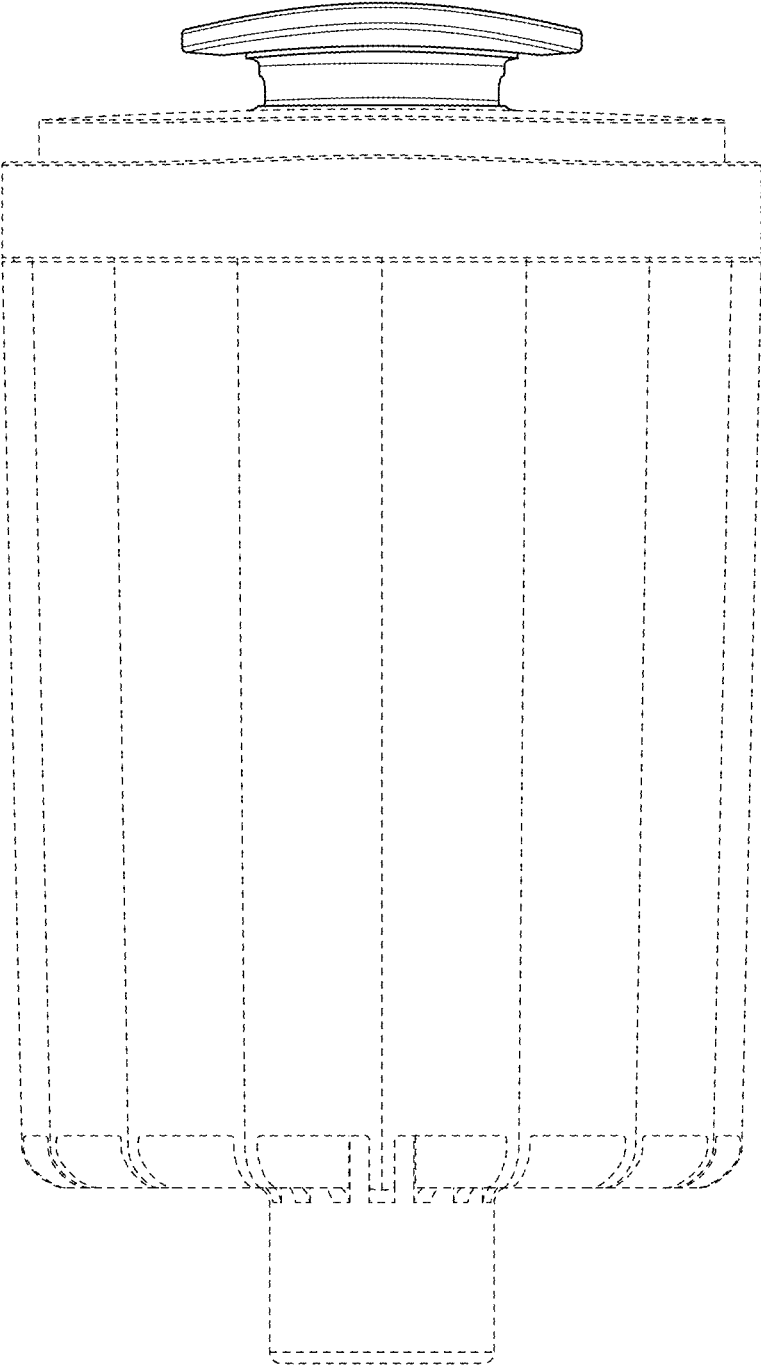


FIG. 3

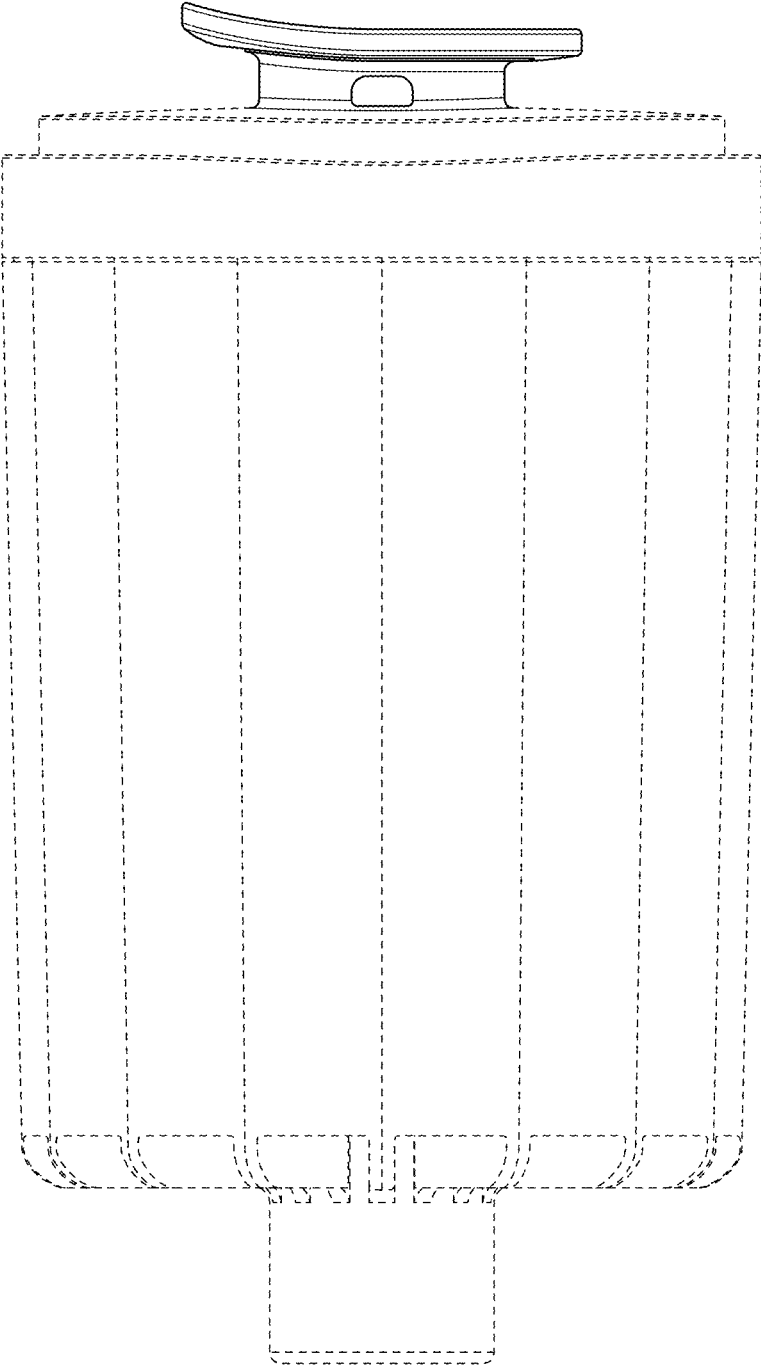


FIG. 4

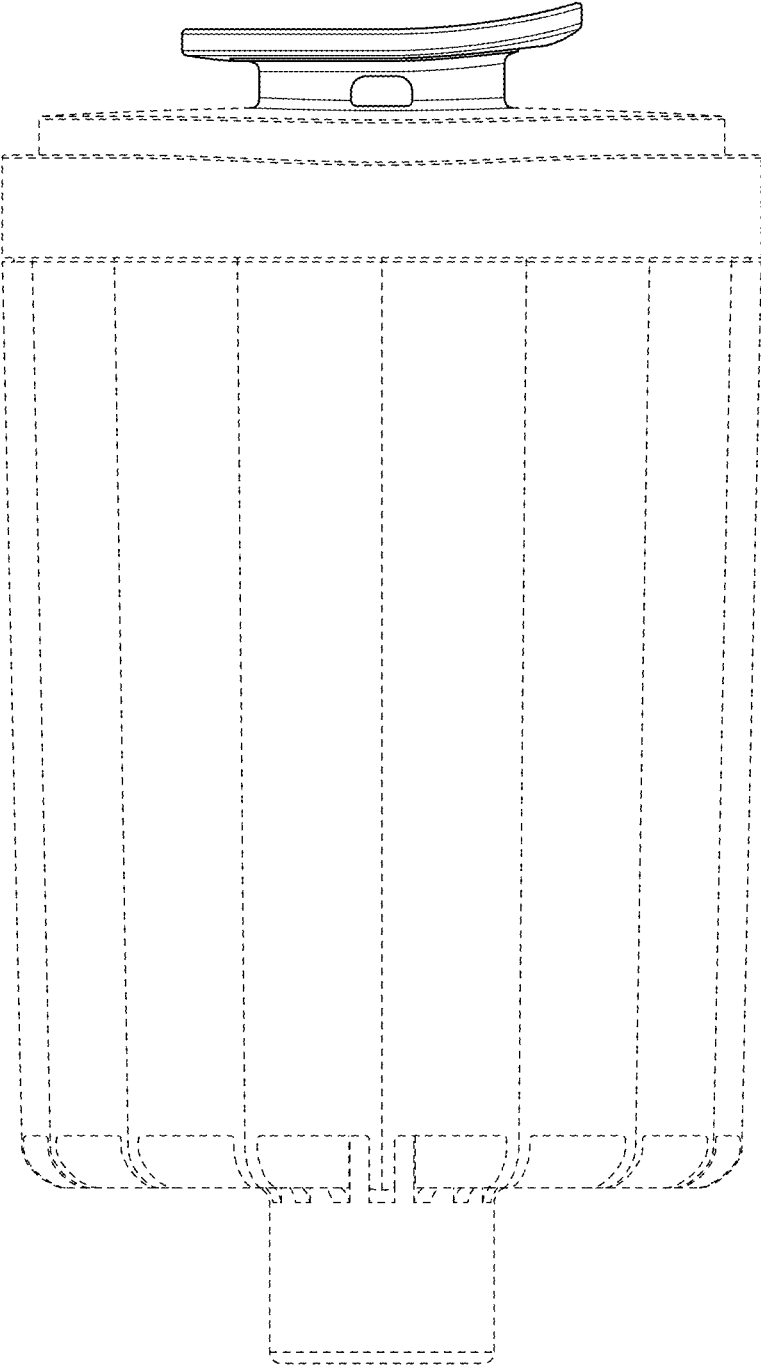


FIG. 5

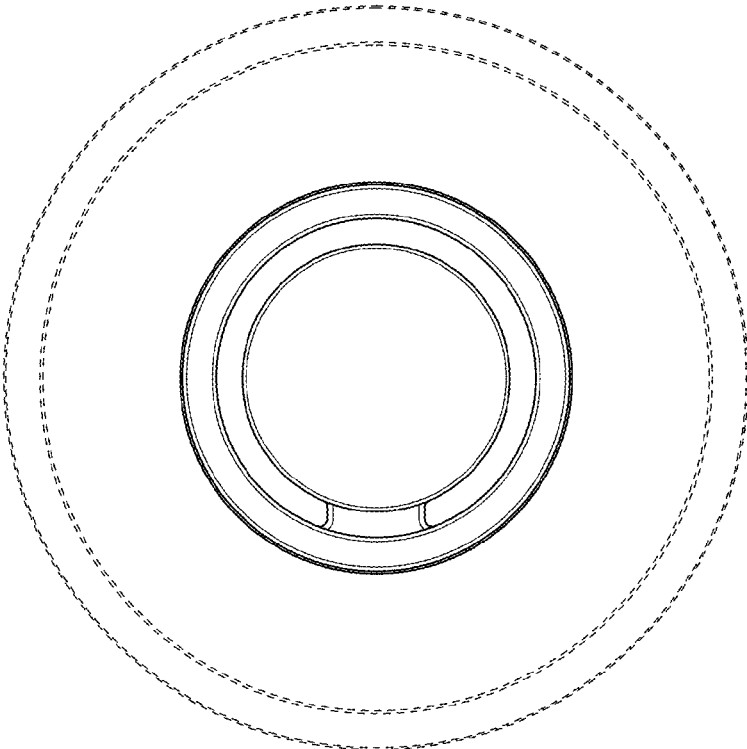


FIG. 6

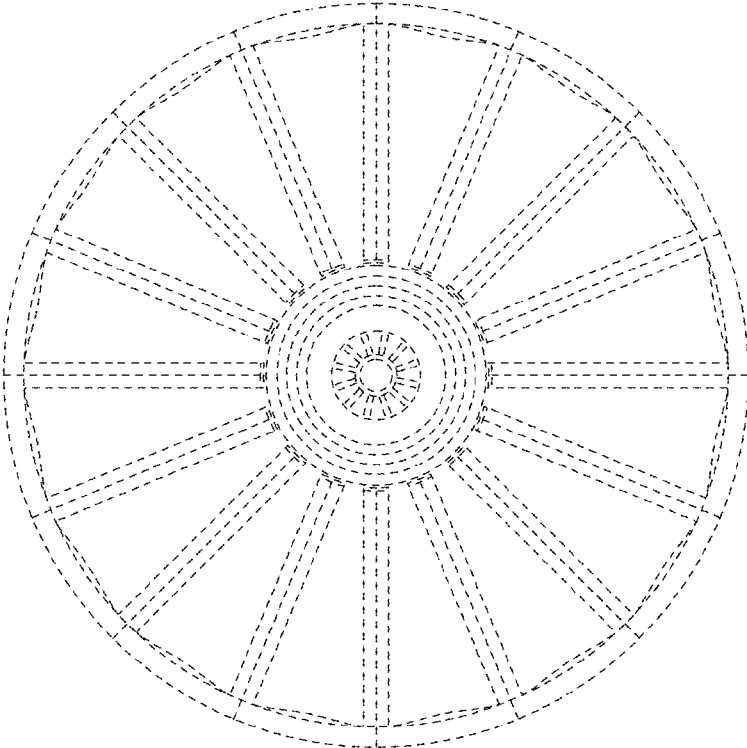


FIG. 7