



US00D813410S

(12) **United States Design Patent**
LiCalzi et al.

(10) **Patent No.:** **US D813,410 S**

(45) **Date of Patent:** **** Mar. 20, 2018**

(54) **SYSTEM INCLUDING MULTIPLE INSTRUMENT MODULES AND ARRANGEMENT THEREOF**

Primary Examiner — Wan Laymon
Assistant Examiner — Mark Booker

(71) Applicant: **Siemens Healthcare Diagnostics Inc.**,
Tarrytown, NY (US)

(57) **CLAIM**

The ornamental design for an system including multiple instrument modules and arrangement thereof, as shown and described.

(72) Inventors: **Daniel LiCalzi**, New York, NY (US);
Youngsang Lee, Flushing, NY (US);
Robert Faranda, Boxborough, MA (US);
Richard Watson, Norwell, MA (US);
Justin Cumming, Topsfield, MA (US);
Scott Salmon, Tenafly, NJ (US);
Josh Hartl, Philadelphia, PA (US)

DESCRIPTION

FIG. 1 is a front perspective view of a system including multiple instrument modules and arrangement thereof in accordance with an embodiment;
FIG. 2 is a rear perspective view of a system including multiple instrument modules and arrangement thereof in accordance with an embodiment;
FIG. 3 is a front elevational view of a system including multiple instrument modules and arrangement thereof in accordance with an embodiment;
FIG. 4 is a rear elevational view of a system including multiple instrument modules and arrangement thereof in accordance with an embodiment;
FIG. 5 is a left side elevational view of a system including multiple instrument modules and arrangement thereof in accordance with an embodiment;
FIG. 6 is a right side elevational view of a system including multiple instrument modules and arrangement thereof in accordance with an embodiment;
FIG. 7 is a top view of a system including multiple instrument modules and arrangement thereof in accordance with an embodiment; and,
FIG. 8 is a bottom view of a system including multiple instrument modules and arrangement thereof in accordance with an embodiment.

The broken lines shown in the figures represent portions of the system including multiple instrument modules and arrangement thereof that form no part of the claimed design. The broken line showing immediately adjacent the shaded areas represents boundaries to the claimed design and forms no part of the claimed design.

(73) Assignee: **Siemens Healthcare Diagnostics Inc.**,
Tarrytown, NY (US)

(**) Term: **15 Years**

(21) Appl. No.: **29/569,391**

(22) Filed: **Jun. 27, 2016**

(51) **LOC (11) Cl.** **24-01**

(52) **U.S. Cl.**
USPC **D24/216**

(58) **Field of Classification Search**
USPC D24/216, 111, 127, 107, 169, 186, 217,
D24/219, 223–224, 231–234; D10/46,
(Continued)

(56) **References Cited**

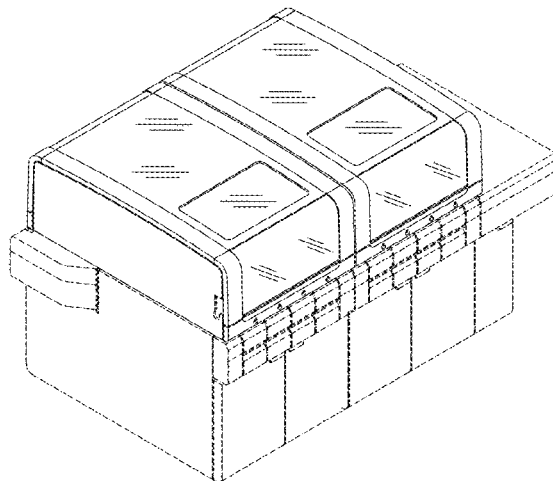
U.S. PATENT DOCUMENTS

D645,367 S * 9/2011 Hayashi D10/81
D669,189 S * 10/2012 Liu D24/216
(Continued)

FOREIGN PATENT DOCUMENTS

JP 1517914 S 2/2015
WO DM/081998 4/2014

1 Claim, 8 Drawing Sheets



(58) **Field of Classification Search**

USPC D10/70, 81, 97; 422/1, 62-65, 67, 68.1,
422/70, 81, 129, 500, 506, 561,
422/FOR. 106; 435/287.1, 287.3;
436/43, 45, 47; 600/300, 301, 368, 372,
600/481, 529, 544, 554, 561; 607/4, 5, 9,
607/30

CPC ... G01R 31/31907; B04B 13/00; B04B 15/00;
B04B 2005/0435; B04B 5/0421; A61B
5/157; G06F 19/366; B01D 21/262

See application file for complete search history.

(56)

References Cited

U.S. PATENT DOCUMENTS

D676,143 S *	2/2013	Liu	D24/216
D676,568 S *	2/2013	Liu	D24/216
D685,483 S *	7/2013	LiCalzi	D24/216
D735,878 S *	8/2015	Chang	D24/216
D736,402 S	8/2015	Gutmann et al.	
D738,243 S *	9/2015	Selberg	D10/81

* cited by examiner

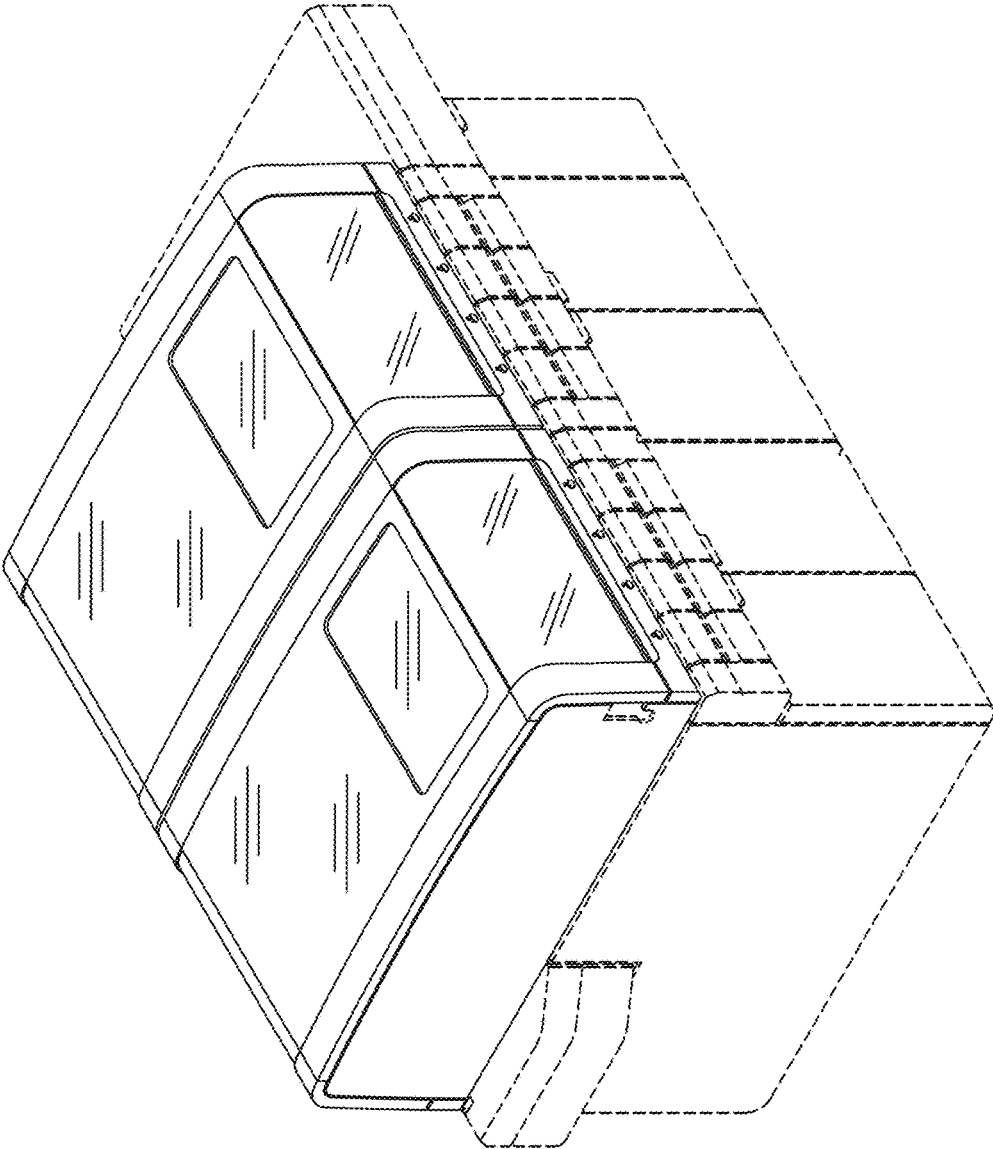


FIG. 1

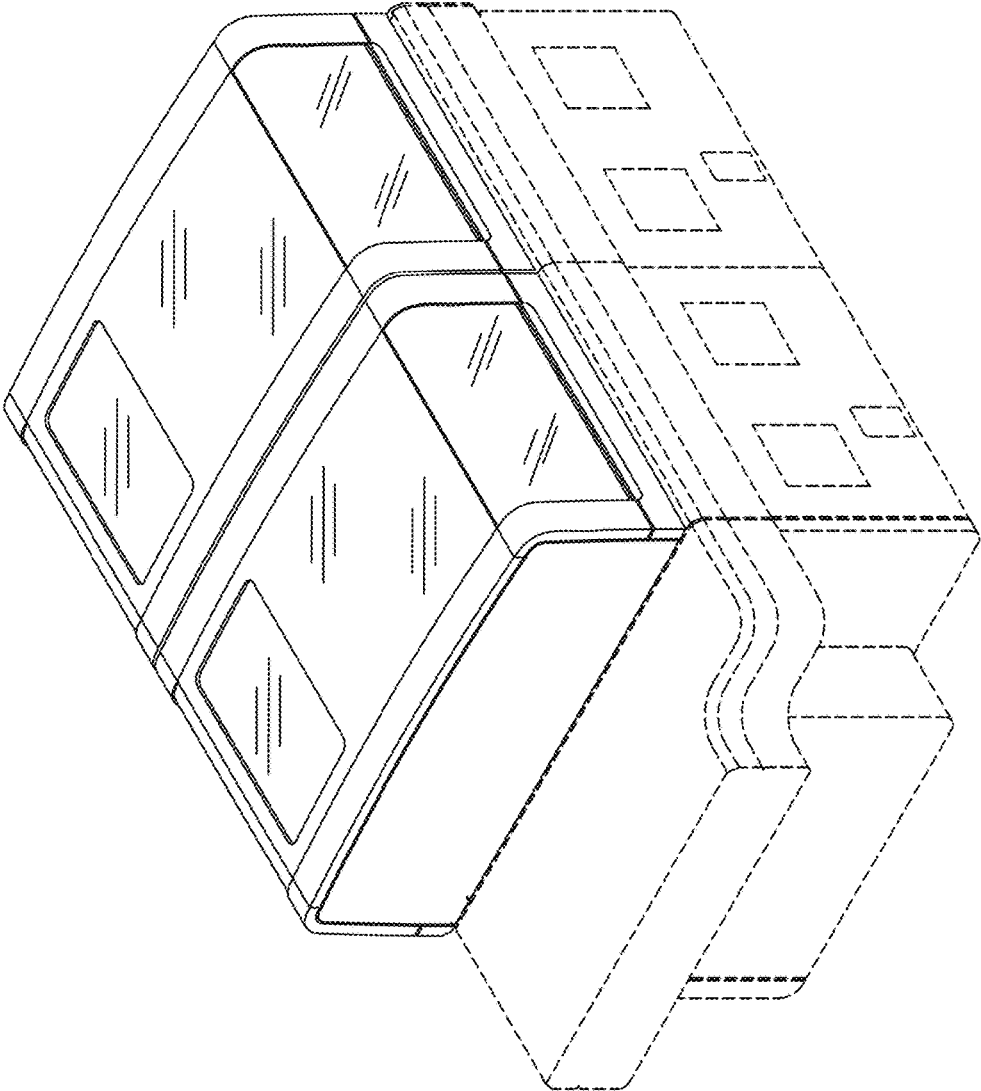


FIG. 2

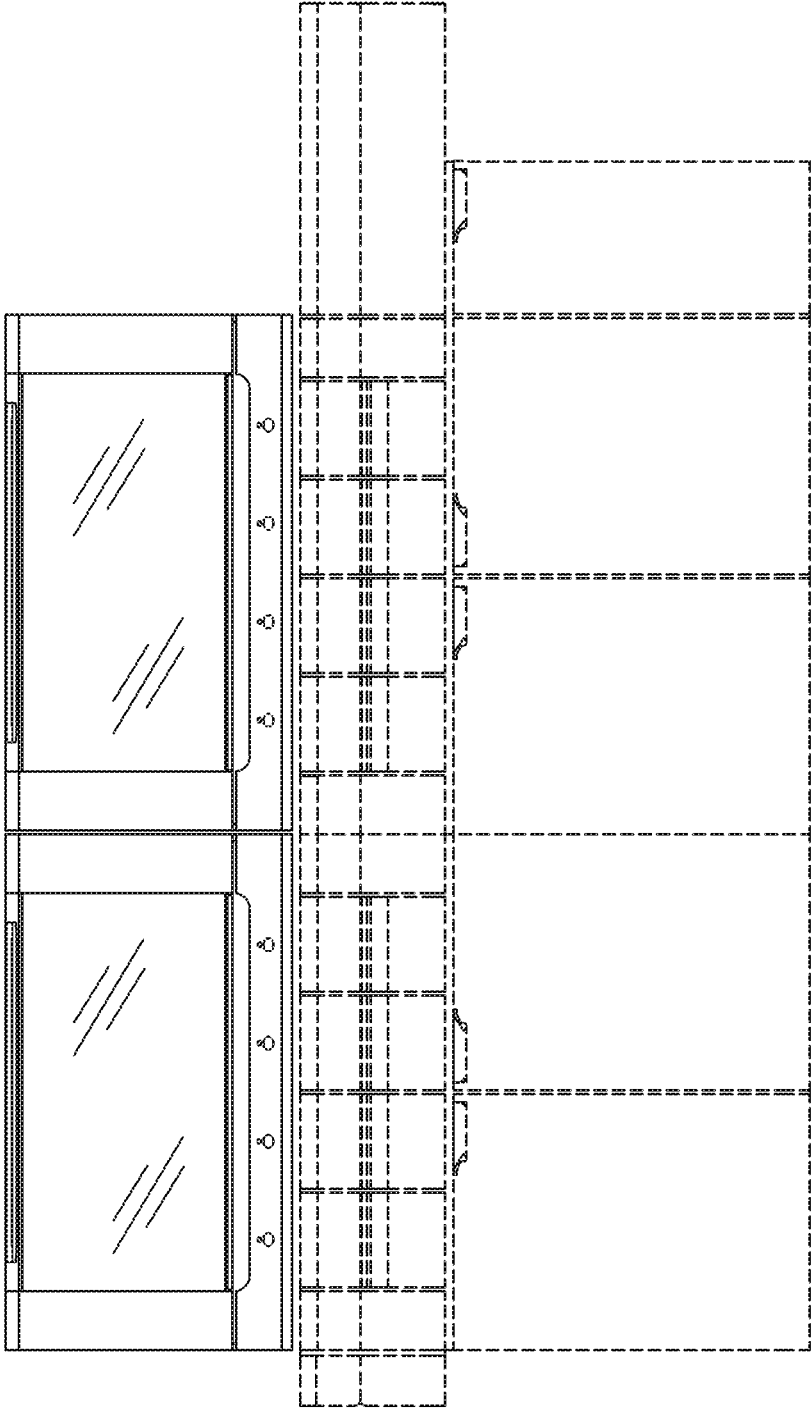


FIG. 3

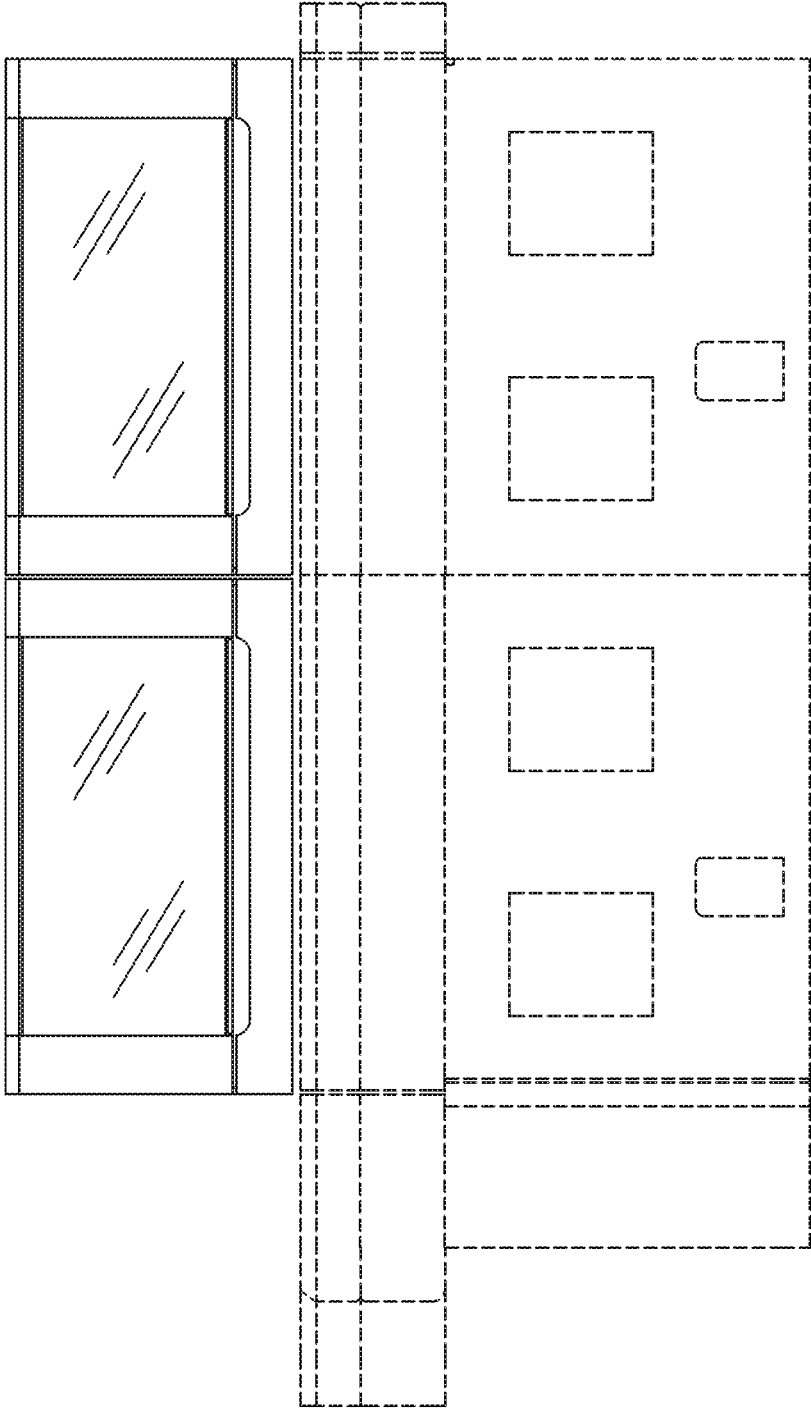


FIG. 4

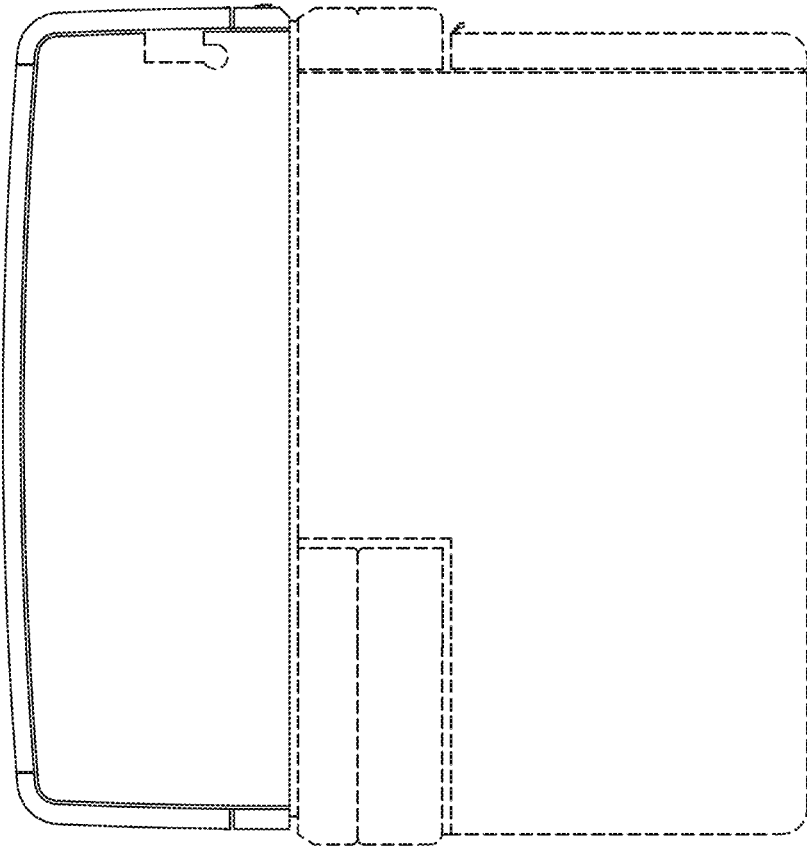


FIG. 5

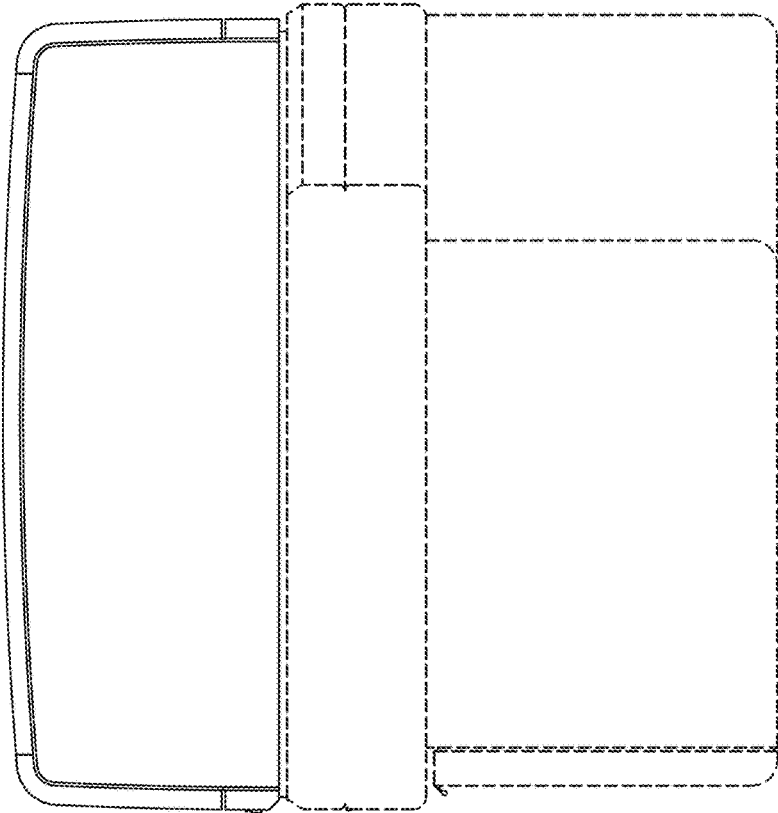


FIG. 6

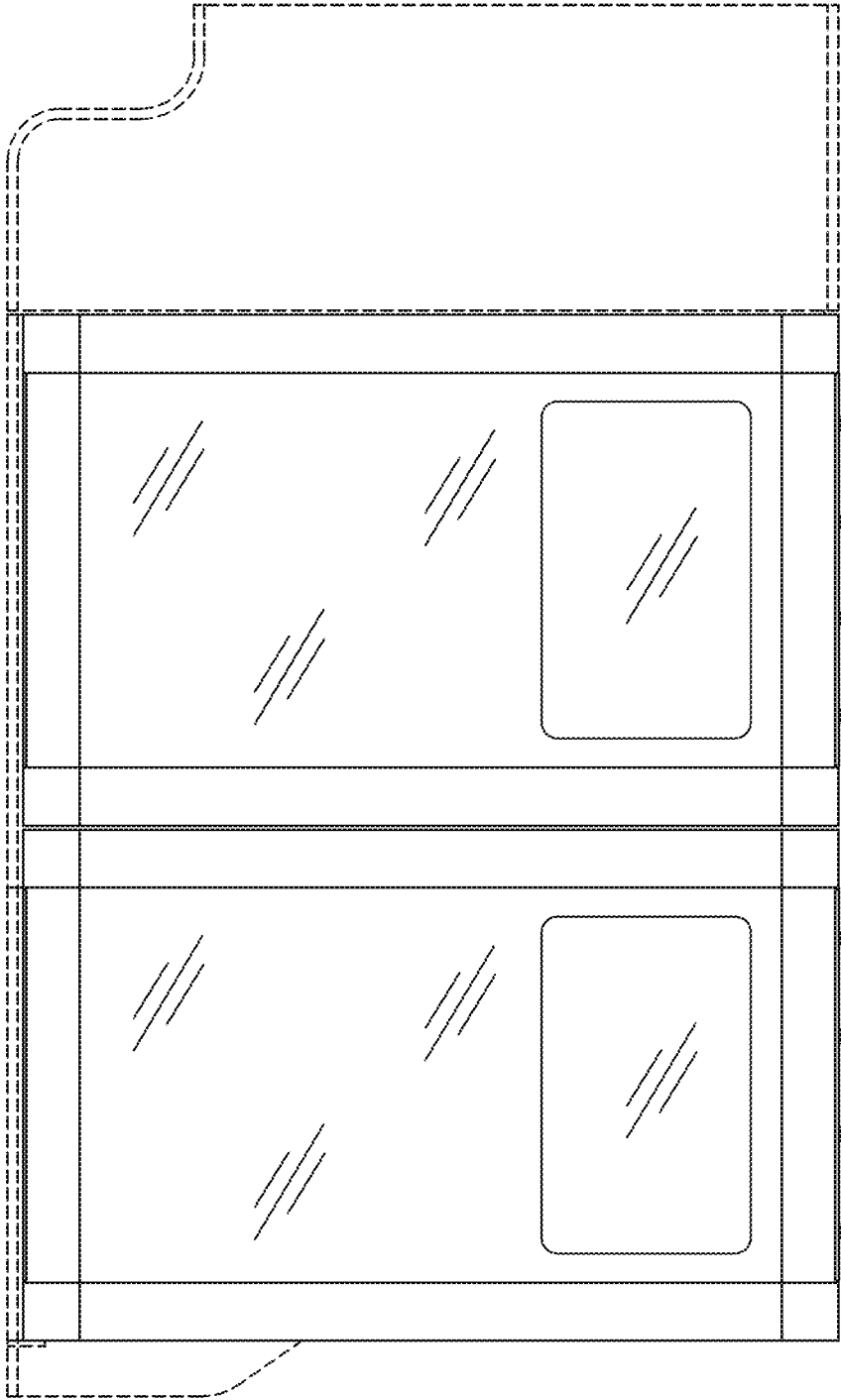


FIG. 7

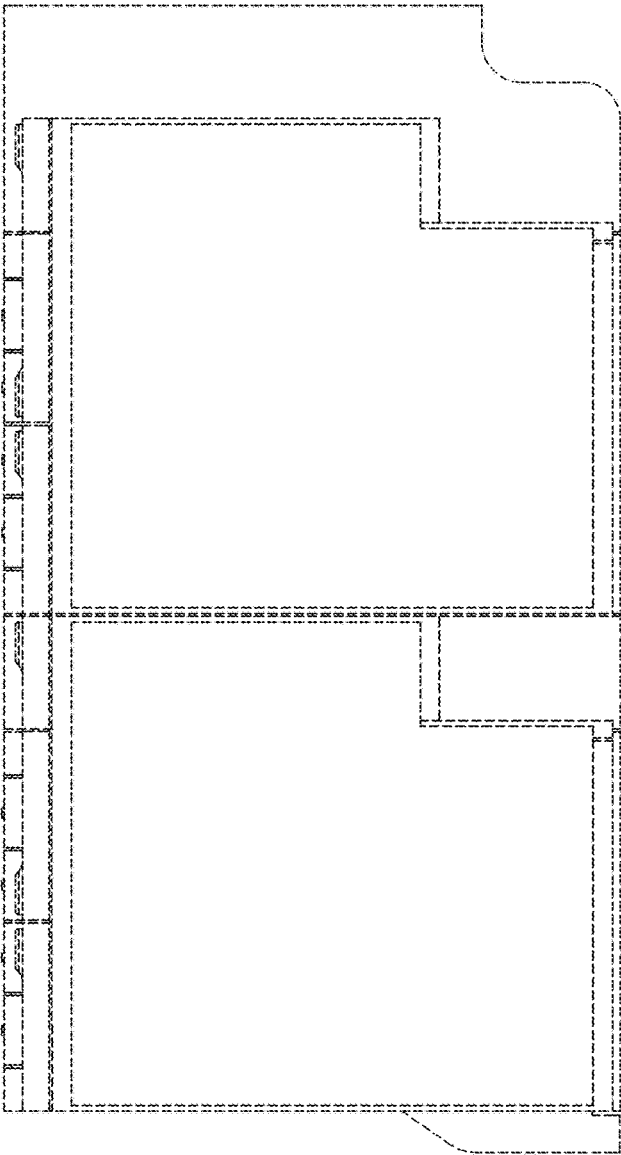


FIG. 8