



US00D625291S

(12) **United States Design Patent**
Andre et al.

(10) **Patent No.:** **US D625,291 S**
(45) **Date of Patent:** **** Oct. 12, 2010**

(54) **STAND**

(75) Inventors: **Bartley K. Andre**, Menlo Park, CA (US); **Daniel J. Coster**, San Francisco, CA (US); **Daniele De Iuliis**, San Francisco, CA (US); **Evans Hankey**, San Francisco, CA (US); **Richard P. Howarth**, San Francisco, CA (US); **Jonathan P. Ive**, San Francisco, CA (US); **Duncan Robert Kerr**, San Francisco, CA (US); **Shin Nishibori**, Portola Valley, CA (US); **Matthew Dean Rohrbach**, San Francisco, CA (US); **Peter Russell-Clarke**, San Francisco, CA (US); **Douglas B. Satzger**, Menlo Park, CA (US); **Christopher J. Stringer**, Woodside, CA (US); **Eugene Antony Whang**, San Francisco, CA (US); **Rico Zorkendorfer**, San Francisco, CA (US)

(73) Assignee: **Apple Inc.**, Cupertino, CA (US)

(**) Term: **14 Years**

(21) Appl. No.: **29/340,846**

(22) Filed: **Jul. 27, 2009**

Related U.S. Application Data

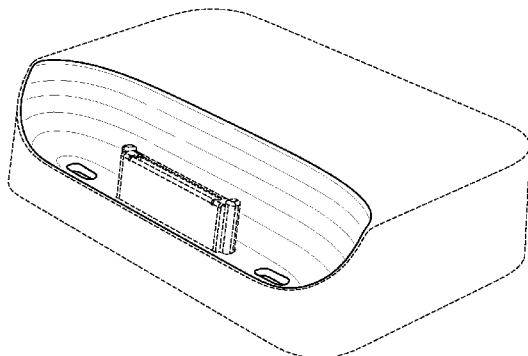
(63) Continuation of application No. 29/319,238, filed on Jun. 5, 2008, now Pat. No. Des. 597,081, and a continuation of application No. 29/319,154, filed on Jun. 4, 2008, now Pat. No. Des. 597,080.

(51) **LOC (9) Cl.** **14-01**

(52) **U.S. Cl.** **D14/217**

(58) **Field of Classification Search** D14/142, D14/149, 155, 157, 188, 191-193, 230.1-203.8, D14/217, 251, 253, 432-435.1, 447, 451, D14/496, 474, 480.1-480.7; D13/107, 108, D13/118; D3/218; 248/221.11, 309.1; 320/107, 320/110, 113-115; 361/600; 439/529, 534; 455/556.1-556.2, 557

See application file for complete search history.



(56) **References Cited**

U.S. PATENT DOCUMENTS

D358,821 S 5/1995 Hellier et al.
5,602,458 A 2/1997 Dowe

(Continued)

FOREIGN PATENT DOCUMENTS

JP 1369426 12/2008

(Continued)

OTHER PUBLICATIONS

Search Report for New Design Patent Application No. 097306650, dated Sep. 4, 2009.

(Continued)

Primary Examiner—Stella M Reid

Assistant Examiner—Keli L Hill

(74) *Attorney, Agent, or Firm*—Sterne, Kessler, Goldstein & Fox PLLC

(57) **CLAIM**

The ornamental design for a stand, as shown and described.

DESCRIPTION

FIG. 1 is a top front perspective view of a stand, showing our new design;

FIG. 2 is a bottom rear perspective view thereof;

FIG. 3 is a front view thereof;

FIG. 4 is a rear view thereof;

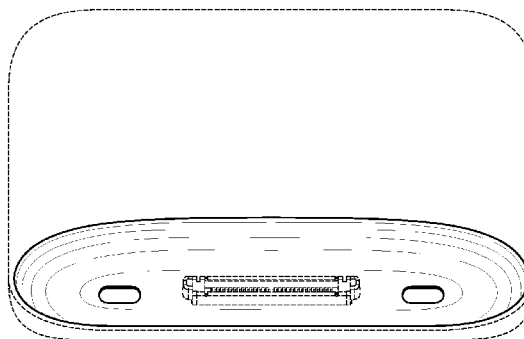
FIG. 5 is a left side view thereof;

FIG. 6 is a right side view thereof;

FIG. 7 is a top plan view thereof; and,

FIG. 8 is a bottom plan view thereof.

1 Claim, 3 Drawing Sheets



US D625,291 S

Page 2

U.S. PATENT DOCUMENTS

D385,530 S	10/1997	Hames et al.	D578,512 S	10/2008	Andre et al.	
D390,824 S	2/1998	Foster et al.	D580,855 S	11/2008	Haspil et al.	
6,042,414 A	3/2000	Kunert	D590,770 S	4/2009	Moss	
D442,939 S	5/2001	Goldenburg	D595,264 S *	6/2009	Andre et al.	D14/217
D444,124 S	6/2001	Casey et al.	D596,162 S *	7/2009	Selvaraj et al.	D14/217
D463,361 S	9/2002	Ruohonen	D596,621 S	7/2009	Andre et al.	
D477,823 S	7/2003	Lavello, Sr.	D597,080 S	7/2009	Andre et al.	
D495,336 S	8/2004	Andre et al.	D597,081 S	7/2009	Andre et al.	
D520,943 S	5/2006	Imai	D599,783 S	9/2009	Andre et al.	
D520,945 S	5/2006	Hayamizu	D600,680 S *	9/2009	Mead et al.	D14/217
D520,946 S	5/2006	Nasu	D604,721 S *	11/2009	Lee	D14/217
7,075,579 B2	7/2006	Whitby et al.	D610,128 S	2/2010	Andre et al.	
D532,005 S	11/2006	Leith	2006/0250764 A1	11/2006	Howarth et al.	
D535,614 S	1/2007	Majanen et al.	2007/0047198 A1	3/2007	Crooijmans et al.	
D540,327 S	4/2007	Wong et al.	2008/0219488 A1	9/2008	Crooijmans et al.	
D544,899 S	6/2007	Li et al.	2009/0009957 A1	1/2009	Crooijmans et al.	
D551,214 S	9/2007	Hussaini et al.				
D551,658 S	9/2007	Hussaini et al.				
D553,106 S	10/2007	Griffin				
D558,208 S	12/2007	Ikeda et al.				
D558,738 S	1/2008	Andre et al.				
D558,739 S	1/2008	Andre et al.				
D568,874 S	5/2008	Andre et al.				
D571,360 S	6/2008	Andre et al.				
D575,275 S	8/2008	Andre et al.				

FOREIGN PATENT DOCUMENTS

TW D115338 2/2007

OTHER PUBLICATIONS

U.S. Appl. No. 29/237,687 entitled "Docking Station" filed Sep. 2, 2005.

Notice of Reasons for Rejection for Japanese Patent Application No. 2008-31077, mailed Aug. 24, 2009, 3 pages.

* cited by examiner

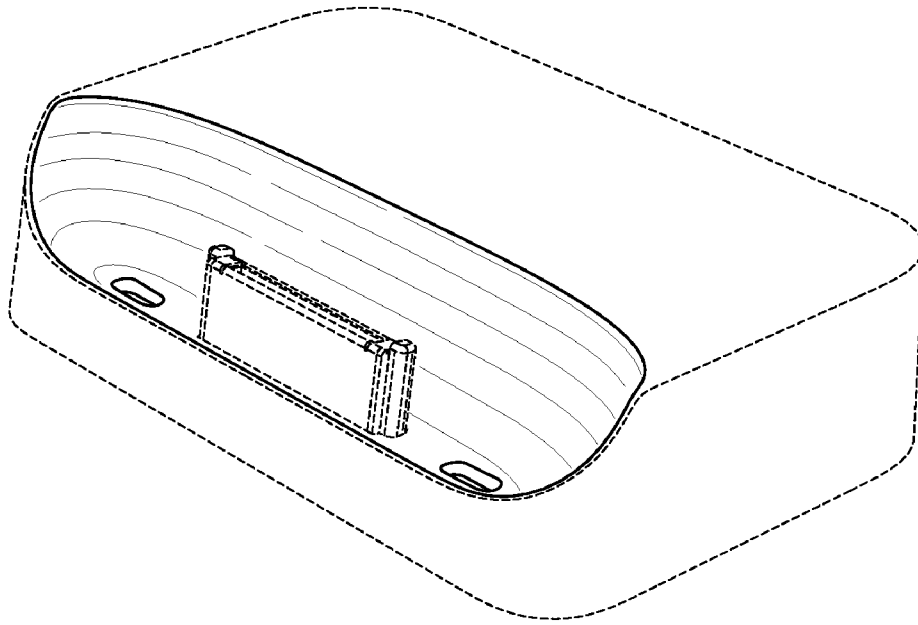


FIG. 1

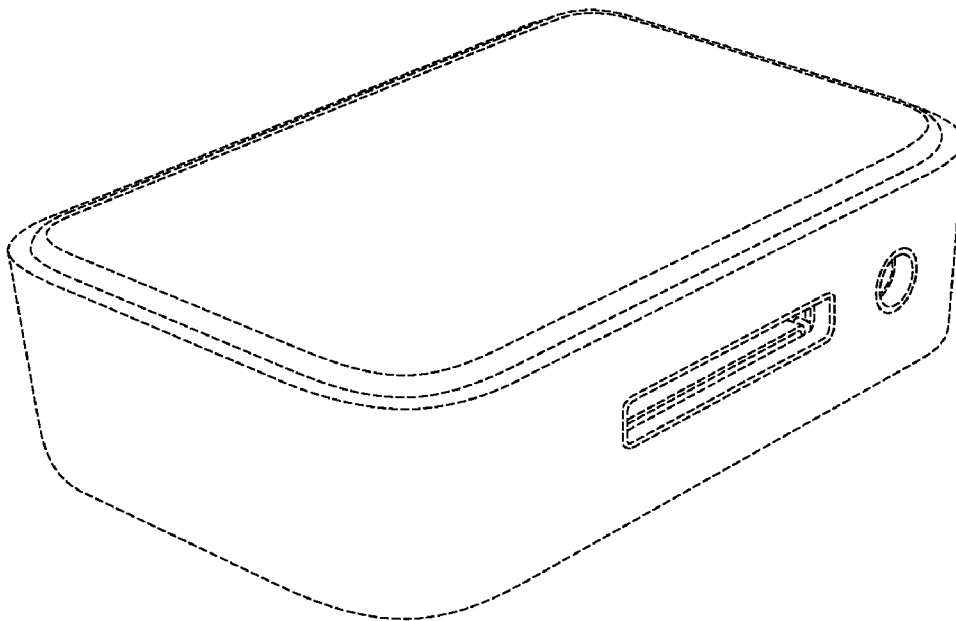


FIG. 2

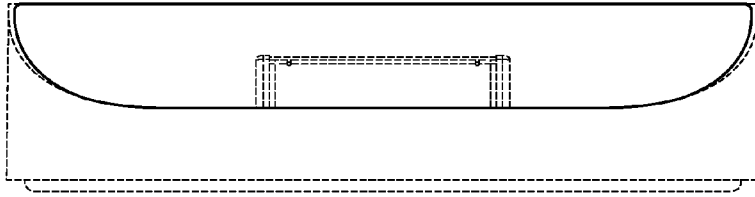


FIG. 3

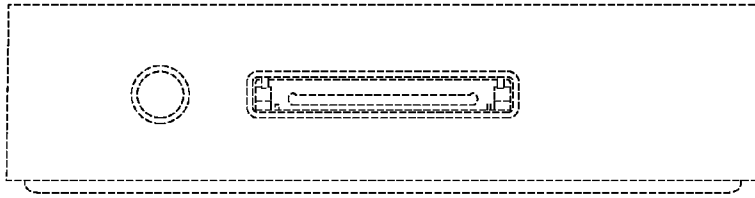


FIG. 4



FIG. 5



FIG. 6

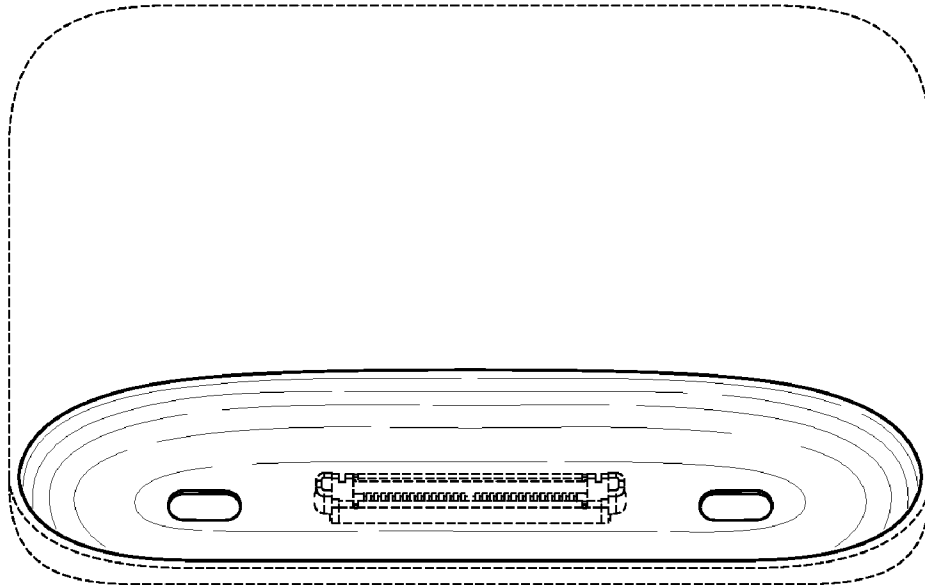


FIG. 7

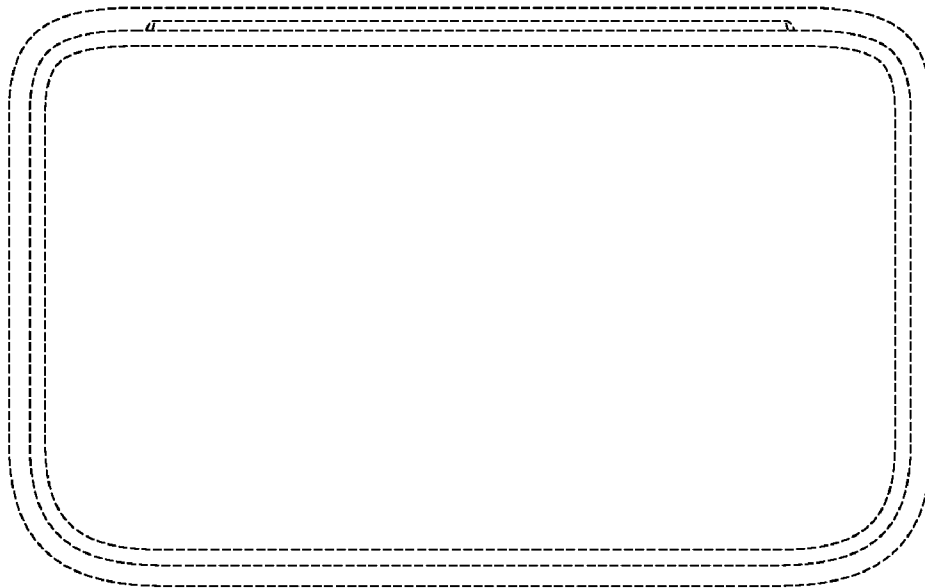


FIG. 8