



US00D737105S

(12) **United States Design Patent**
Tsai

(10) **Patent No.:** **US D737,105 S**

(45) **Date of Patent:** **** Aug. 25, 2015**

(54) **KITCHEN WRAP ORGANIZER**

F16M 11/38

See application file for complete search history.

(71) Applicant: **Tsung-Yu Tsai**, Changhau (TW)

(72) Inventor: **Tsung-Yu Tsai**, Changhau (TW)

(**) Term: **14 Years**

(21) Appl. No.: **29/465,014**

(22) Filed: **Aug. 22, 2013**

(51) **LOC (10) Cl.** **07-01**

(52) **U.S. Cl.**
USPC **D7/601**

(58) **Field of Classification Search**

USPC D7/601, 600.1, 600.3, 600.4, 600.2,
D7/571-572, 576-577, 582-583, 602, 628,
D7/631, 634, 637, 704, 409, 504, 323;
D6/315, 317, 319, 329, 673, 675,
D6/675.2, 675.3, 675.5, 566, 567,
D6/569-572, 574, 672, 682, 682.2, 682.4,
D6/683-683.1, 677, 677.1, 672.2, 677.3,
D6/677.5, 680, 680.1, 680.2, 680.3, 681,
D6/681.1; D19/90-92, 75, 78; 220/485,
220/491, 493, 487, 488, 490, 494; 211/11,
211/126.9, 133.5, 85.4, 41.11, 59.2-59.3,
211/90.03, 85.31, 85.26, 126.5, 134, 153,
211/186-188, 181.1; 248/312, 235, 243,
248/219.1, 250; 126/332
CPC A47J 43/00; A47B 73/002; A47B 73/00;
A47B 73/004; A47B 73/006; A47B 55/02;
A47B 43/00; A47B 43/003; A47B 43/04;
A47B 46/00; A47B 46/005; A47B 47/00;
A47B 47/0008; A47B 47/0025; A47B
47/0058; A47B 47/0075; A47B 47/0083;
A47B 47/02; A47B 47/021; A47B 47/03;
B65D 21/0211; A47F 5/00; A47F 5/0018;
A47F 5/0043; A47F 5/005; A47F 5/0056;
A47F 5/0062; A47F 5/0081; A47F 5/01;
A47F 7/00; A47F 7/0007; A47F 7/0042;
A47F 7/0057; A47F 7/0064; A47F 7/0071;
A47F 5/0807; A47F 5/0876; A47F 5/0006;
A47F 5/0012; A47F 5/04; A47F 5/05; A47F
5/06; A47F 1/00; A47F 1/04; A47F 3/00;

(56) **References Cited**

U.S. PATENT DOCUMENTS

1,563,057	A *	11/1925	Williams	211/134
2,276,141	A *	3/1942	Atkinson	211/37
2,950,014	A *	8/1960	Sullivan	211/151
3,083,836	A *	4/1963	Bussemer	211/134
3,203,553	A *	8/1965	Pendergrast, Jr. et al.	...	211/59.2
4,469,231	A *	9/1984	Hehn	211/11
D278,196	S *	4/1985	Koves	D6/675.2
D363,615	S *	10/1995	Vukelich, Sr.	D6/405

(Continued)

OTHER PUBLICATIONS

Wrap Organizer—White, [online], crawled on Mar. 29, 2015, retrieved on May 14, 2015. Retrieved from, <URL: <http://web.archive.org/web/20150329213600/http://organizedliving.com/home/products/kitchen-organizers/dividers/KitchenWrapOrganizer-White>>, 2 pages.*

(Continued)

Primary Examiner — Ian Simmons

Assistant Examiner — Shannon Morgan

(74) *Attorney, Agent, or Firm* — QuickPatents; Kevin Prince

(57) **CLAIM**

I claim the ornamental design for a kitchen wrap organizer, as shown and described.

DESCRIPTION

FIG. 1 is a perspective view of a kitchen wrap organizer, showing my new design;

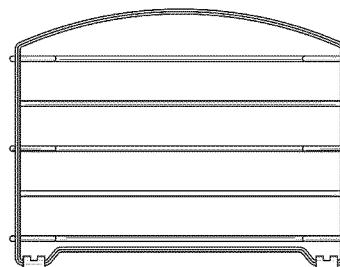
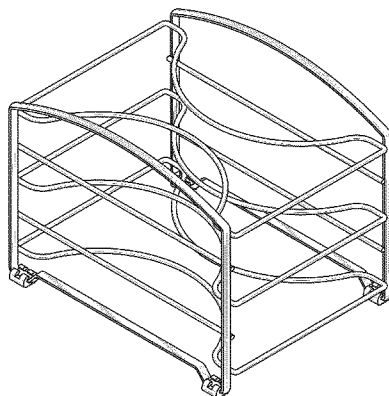
FIG. 2 is a front elevational view thereof, the rear elevational view being a mirror image thereof;

FIG. 3 is a left-side elevational view thereof, the right-side elevational view being a mirror image thereof;

FIG. 4 is a top plan view thereof; and,

FIG. 5 is a bottom plan view thereof.

1 Claim, 3 Drawing Sheets



(56)

References Cited

U.S. PATENT DOCUMENTS

D364,288 S * 11/1995 Kramer et al. D7/704
5,638,809 A * 6/1997 Wienhold 126/337 R
5,823,100 A * 10/1998 Wienhold et al. 99/449
D405,627 S * 2/1999 Salvucci D6/675.2
6,820,949 B1 * 11/2004 Caruso 312/107
D542,092 S * 5/2007 Raichlen et al. D7/409
D594,252 S * 6/2009 Gehring D6/675.2
D595,189 S * 6/2009 Palmer D12/115

D640,510 S * 6/2011 Guindi D7/631
D724,357 S * 3/2015 Lim D6/675.1
2002/0084237 A1 * 7/2002 Allen 211/189

OTHER PUBLICATIONS

Amazon.com—DecoBros Kitchen Wrap Organizer Rack, [online], reviewed on Aug. 23, 2013, retrieved on May 14, 2015. Retrieved from, <URL: <http://www.amazon.com/DecoBros-Kitchen-Organizer-White-Standard/dp/B00COC9P4E>>, 1 page.*

* cited by examiner

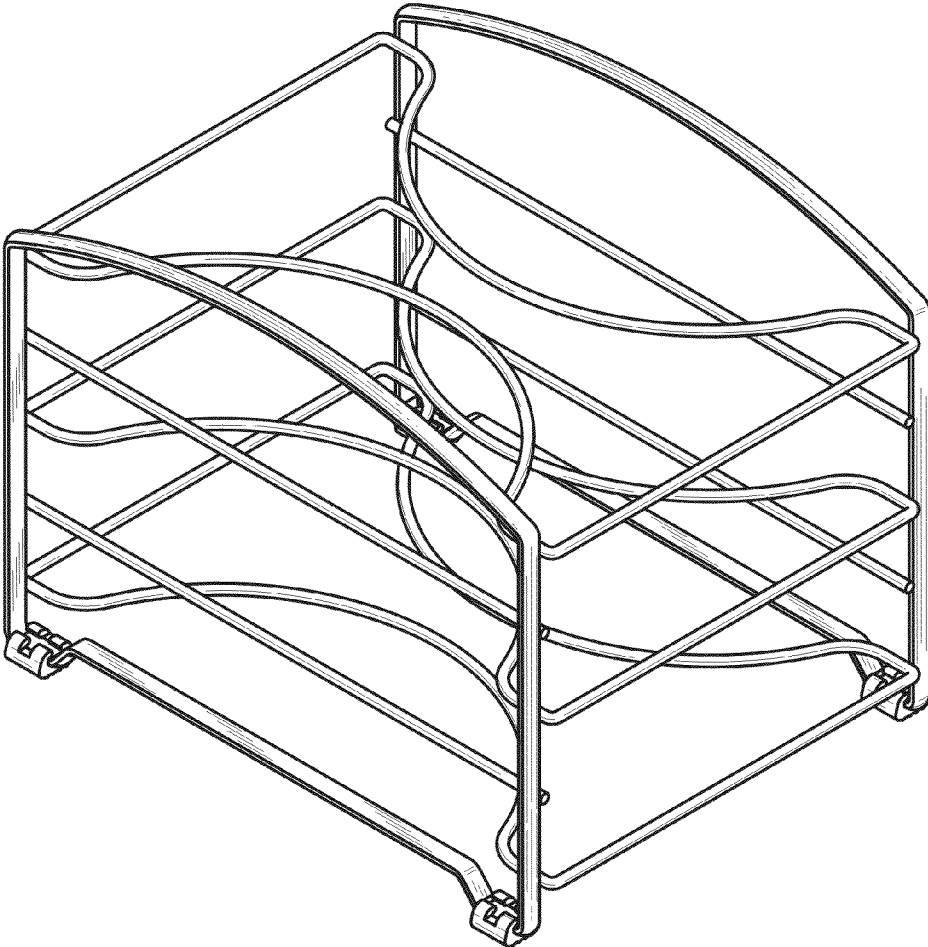


FIG. 1

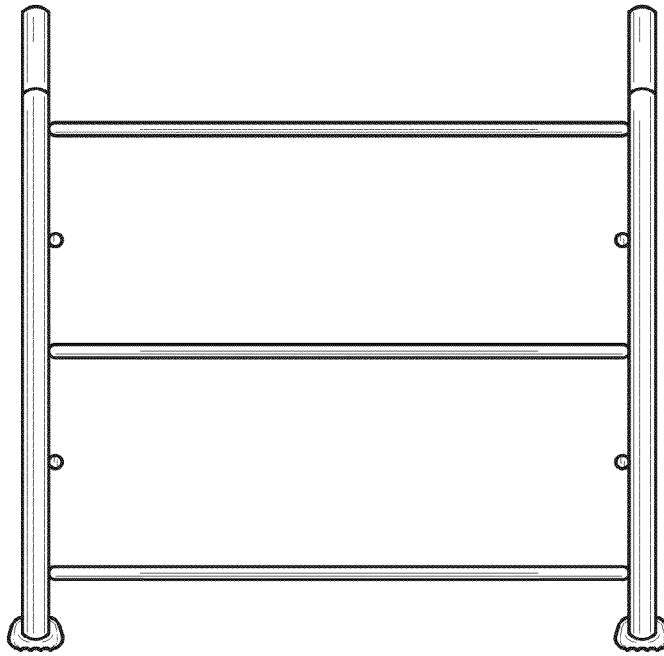


FIG. 2

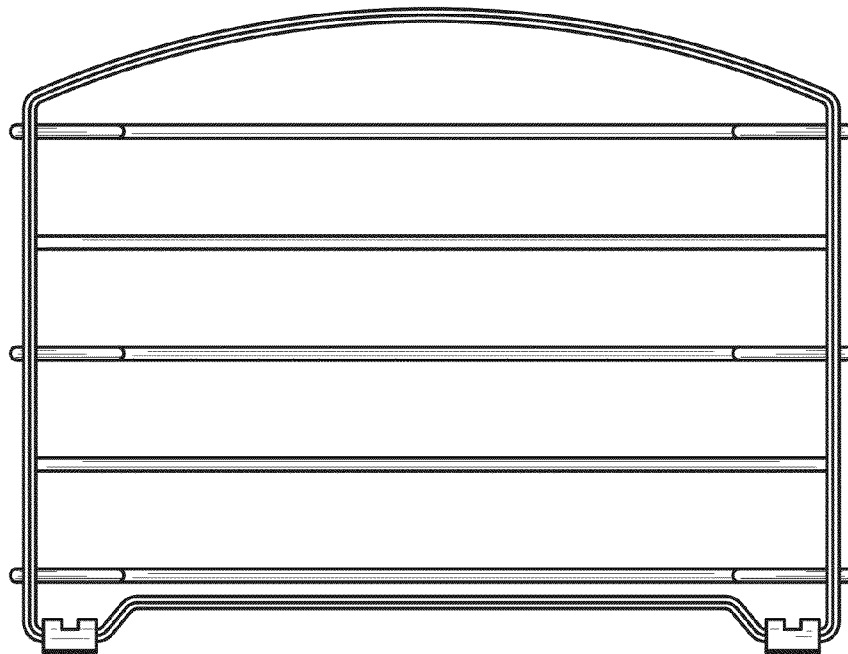


FIG. 3

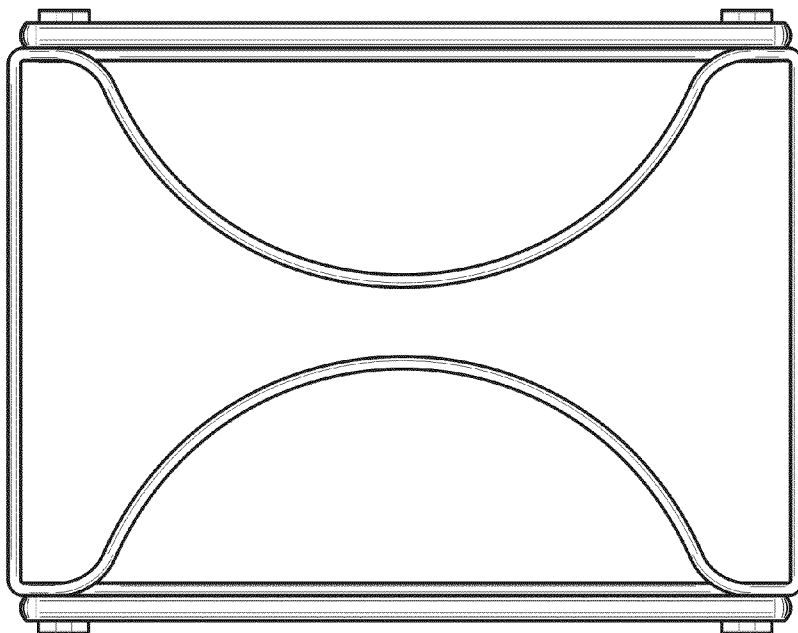


FIG. 4

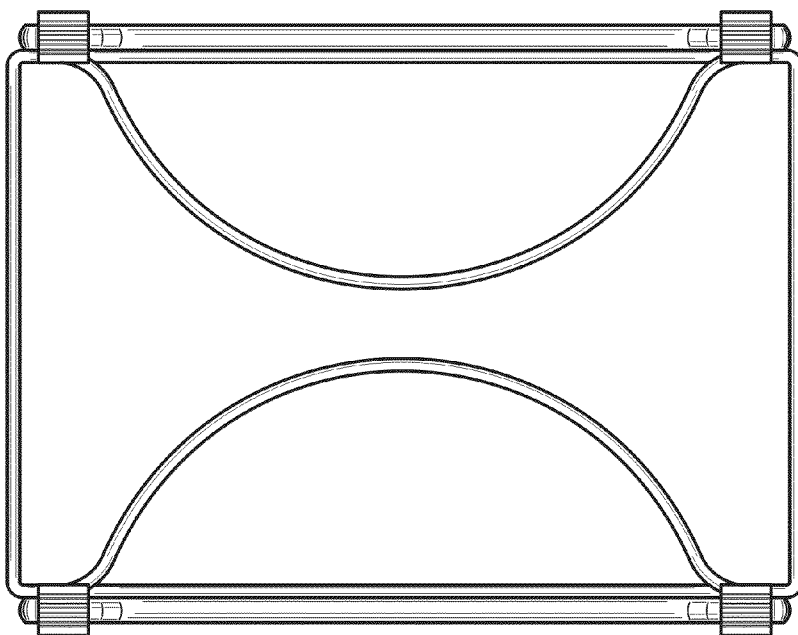


FIG. 5