



US00D940013S

(12) **United States Design Patent**
Wettig

(10) **Patent No.:** **US D940,013 S**

(45) **Date of Patent:** **** Jan. 4, 2022**

(54) **HEAT EXCHANGER FOR AUTOMOTIVE APPLICATIONS**

(71) Applicant: **Resource International Inc.**, New Castle, DE (US)

(72) Inventor: **Jason Wettig**, Street, MD (US)

(73) Assignee: **Resource International Inc.**, New Castle, DE (US)

(**) Term: **15 Years**

(21) Appl. No.: **29/652,650**

(22) Filed: **Oct. 16, 2020**

(51) **LOC (13) Cl.** **12-16**

(52) **U.S. Cl.**
USPC **D12/166**

(58) **Field of Classification Search**
USPC D12/164, 165, 166
CPC F28F 9/001; F28D 1/05366; F28D 1/0435
See application file for complete search history.

(56) **References Cited**

U.S. PATENT DOCUMENTS

3,165,151	A *	1/1965	Astrup	F28D 1/0535	165/81
D263,461	S *	3/1982	Young	D12/166	
4,540,044	A *	9/1985	Lenz	F28F 9/001	165/149
4,619,313	A *	10/1986	Rhodes	F28F 9/001	165/149
6,899,167	B2 *	5/2005	Martins	F28F 1/32	165/140
7,500,514	B2 *	3/2009	Heine	F01P 11/08	165/140
7,694,724	B2 *	4/2010	Kolb	F28F 9/0234	165/81
7,942,223	B2 *	5/2011	Obayashi	B60K 11/04	180/68.4

8,376,073	B2 *	2/2013	Nantais	B60K 11/04	180/68.4
D703,126	S *	4/2014	Tafe	D12/223	
D717,218	S *	11/2014	Tafe	D12/166	
D717,702	S *	11/2014	McCardle	D12/166	
D746,732	S *	1/2016	Pruitt	D12/166	
D751,472	S *	3/2016	Pruitt	D12/166	
D802,492	S *	11/2017	Pruitt	D12/166	
D802,493	S *	11/2017	Pruitt	D12/166	

(Continued)

OTHER PUBLICATIONS

“2015-2020 BMW F8X M3/ M4 Performanceheat Exchanger Parts & Installation Guide.” Mishimoto., Apr. 17, 2020 [online], [retrieved on Oct. 22, 2021]. Retrieved from the Internet <URL: https://cdn.mishimoto.com/media/productpdf/MMHE-F80-15_INSTALLATIONGUIDE.pdf>.*

(Continued)

Primary Examiner — Darlington Ly

(74) *Attorney, Agent, or Firm* — Condo Roccia Koptiw LLP

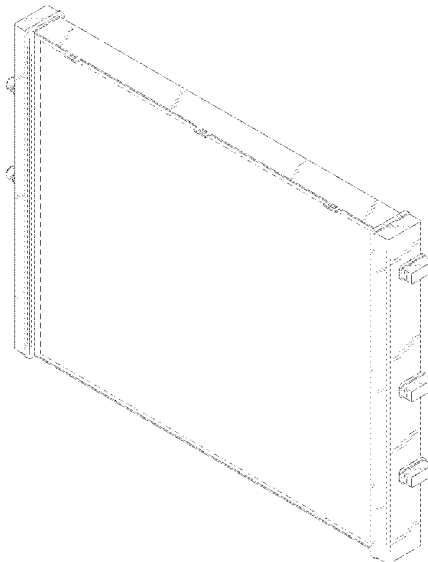
(57) **CLAIM**

The ornamental design for a heat exchanger for automotive applications, as shown and described.

DESCRIPTION

FIG. 1 is a top front perspective view of the heat exchanger for automotive applications showing my new design; FIG. 2 is a front elevation view thereof, with the rear elevation view being a mirror image thereof; FIG. 3 is a right side elevation view thereof; FIG. 4 is a left side elevation view thereof; FIG. 5 is a top plan view thereof; and, FIG. 6 is a bottom plan view thereof. The broken lines shown in the drawings illustrate portions of the heat exchanger for automotive applications that form no part of the claimed design.

1 Claim, 4 Drawing Sheets



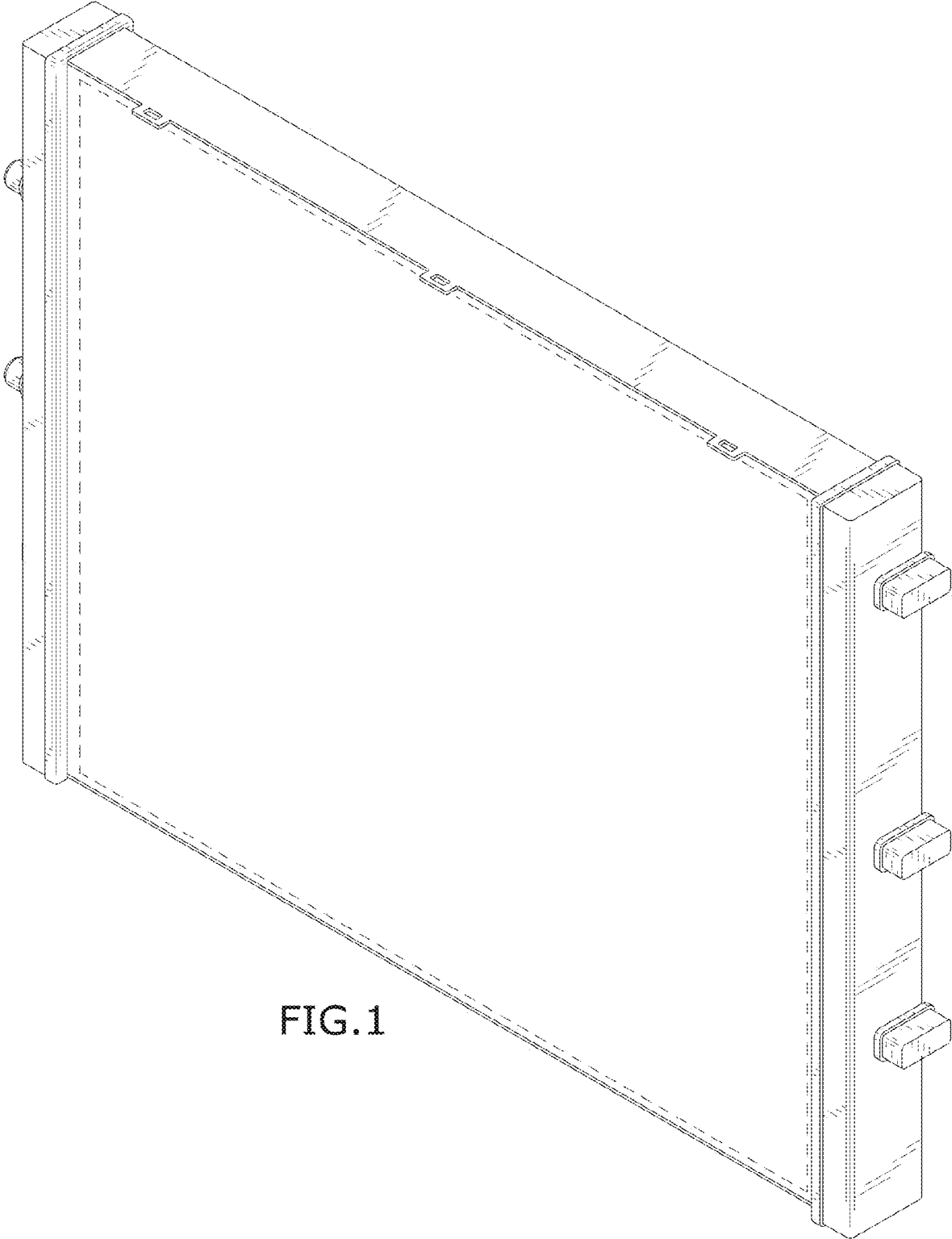


FIG. 1

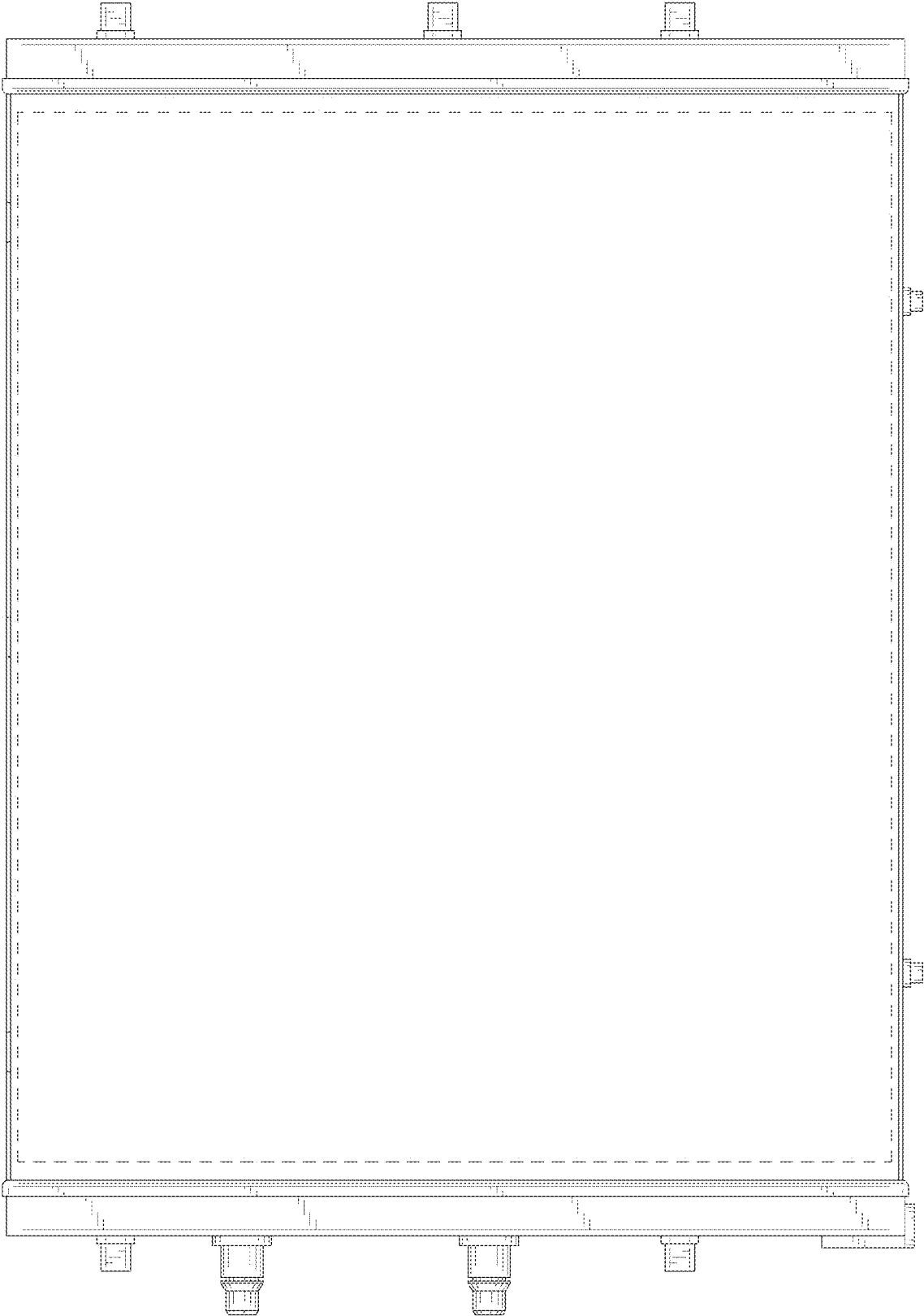


FIG.2

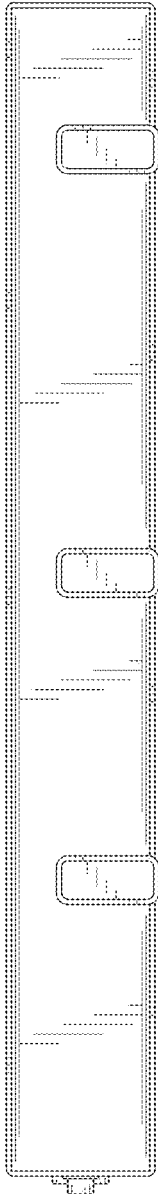


FIG. 3

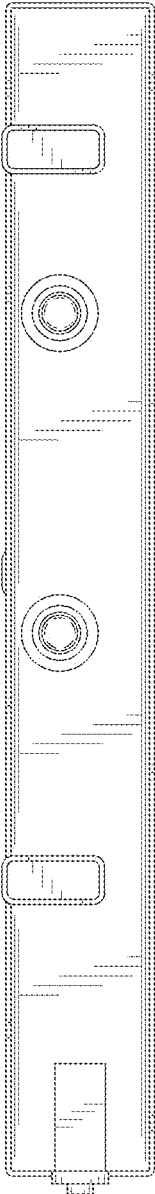


FIG. 4

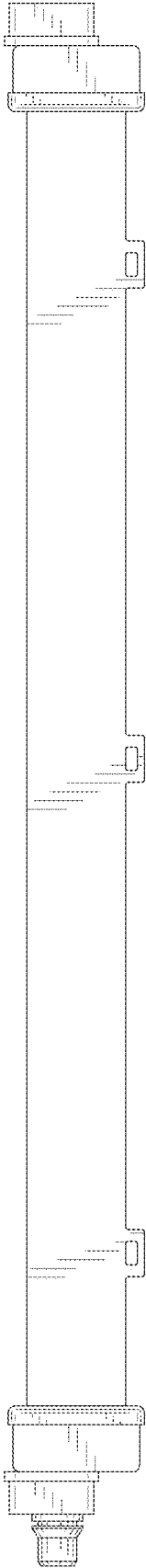


FIG. 5

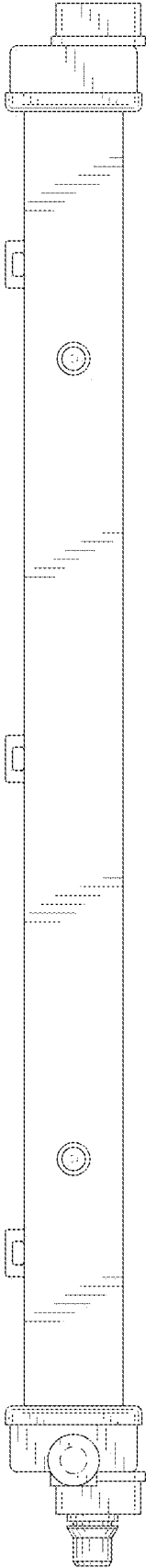


FIG. 6