



US0D1001804S

(12) **United States Design Patent**
Hu

(10) **Patent No.:** **US D1,001,804 S**

(45) **Date of Patent:** **** Oct. 17, 2023**

(54) **MOUSE**

(71) Applicant: **HUAWEI TECHNOLOGIES CO., LTD.**, Guangdong (CN)

(72) Inventor: **Yunpeng Hu**, Shenzhen (CN)

(73) Assignee: **HUAWEI TECHNOLOGIES CO., LTD.**, Shenzhen (CN)

(**) Term: **15 Years**

(21) Appl. No.: **29/803,173**

(22) Filed: **Aug. 11, 2021**

(30) **Foreign Application Priority Data**

Feb. 26, 2021 (CN) 202130109612.5

(51) **LOC (14) Cl.** **04-02**

(52) **U.S. Cl.**

USPC **D14/409**

(58) **Field of Classification Search**

USPC D14/402-411, 356, 388, 389, 383-385,
D14/417, 426; 345/156-167; 463/36-38;
358/471, 473; 273/148 B

CPC G06F 3/03543; G06F 2203/0333; G06F
3/039; G06F 3/038; G06F 2203/0384

See application file for complete search history.

(56) **References Cited**

U.S. PATENT DOCUMENTS

D821,400 S * 6/2018 Pang D14/409

D882,575 S * 4/2020 Jinkinson D14/409

D892,799 S *	8/2020	Jinkinson	D14/409
D903,677 S *	12/2020	Xu	D14/409
D910,019 S *	2/2021	Jinkinson	D14/409
D920,333 S *	5/2021	Chong	D14/409
D925,536 S *	7/2021	Carey	D14/409
D928,786 S *	8/2021	Chong	D14/409
D929,993 S *	9/2021	Chong	D14/402
D940,140 S *	1/2022	Carey	D14/409
D954,053 S *	6/2022	Chen	D14/409

OTHER PUBLICATIONS

U.S. Appl. No. 29/803,173, filed Aug. 11, 2021, Mouse.
U.S. Appl. No. 29/803,174, filed Aug. 11, 2021, Mouse.
Hu, U.S. Appl. No. 29/803,174, filed Aug. 11, 2021, entitled
"Mouse" total 18 pages.

* cited by examiner

Primary Examiner — Austin Murphy

(57) **CLAIM**

The ornamental design for a mouse, as shown and described.

DESCRIPTION

FIG. 1 is a front perspective view of a mouse showing our new design;

FIG. 2 is a top perspective view thereof;

FIG. 3 is a front view thereof;

FIG. 4 is a back view thereof;

FIG. 5 is a top view thereof;

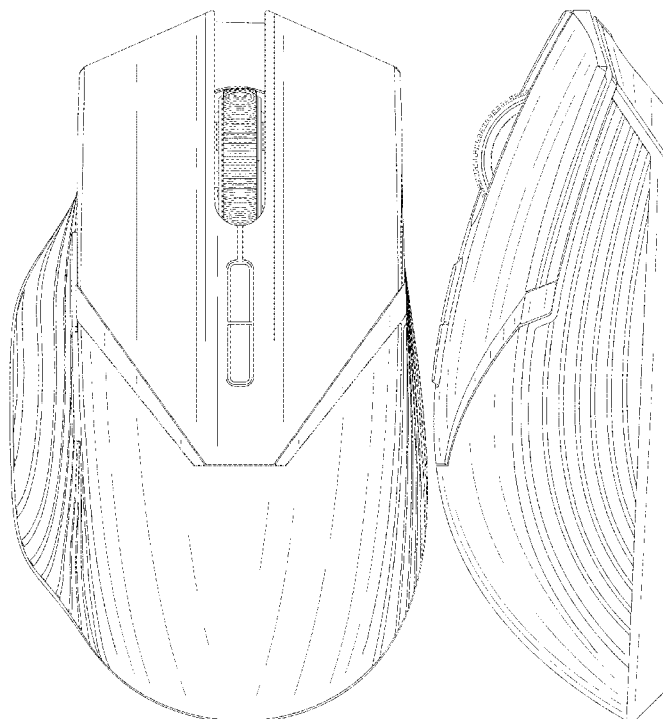
FIG. 6 is a bottom view thereof;

FIG. 7 is a right view thereof; and,

FIG. 8 is a left view thereof.

The broken lines in drawings show portions of the mouse that form no part of the claimed design.

1 Claim, 8 Drawing Sheets



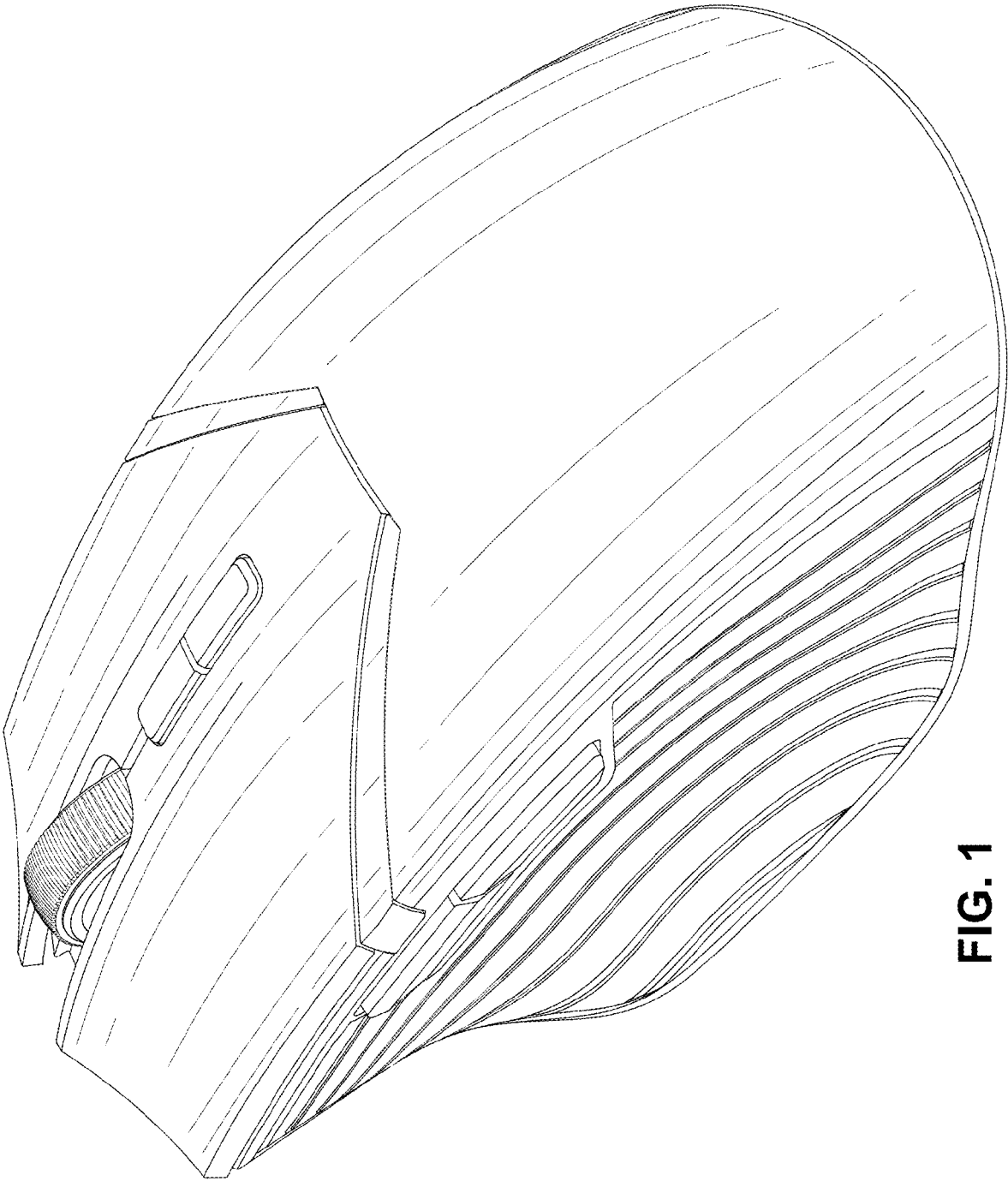


FIG. 1

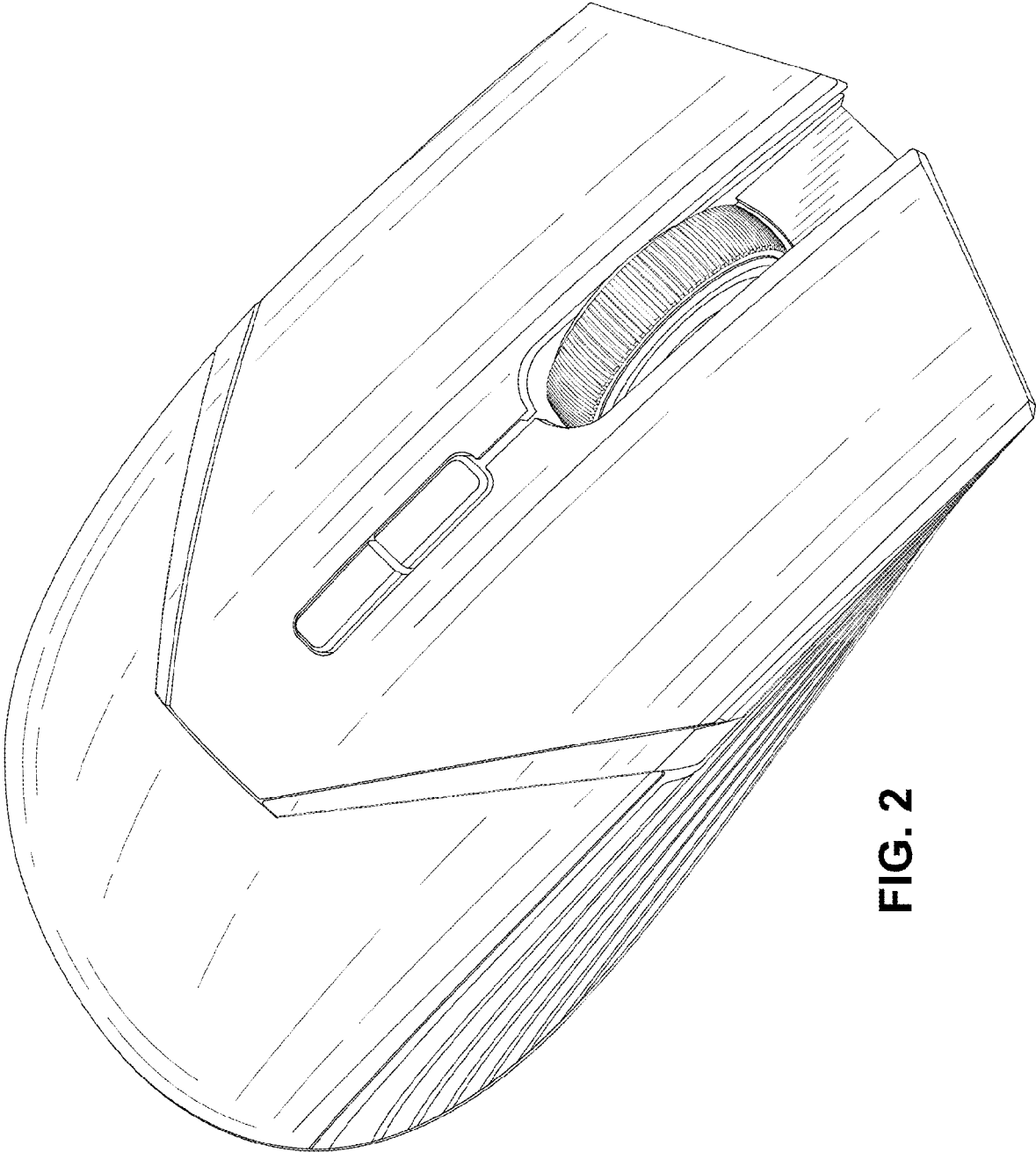


FIG. 2

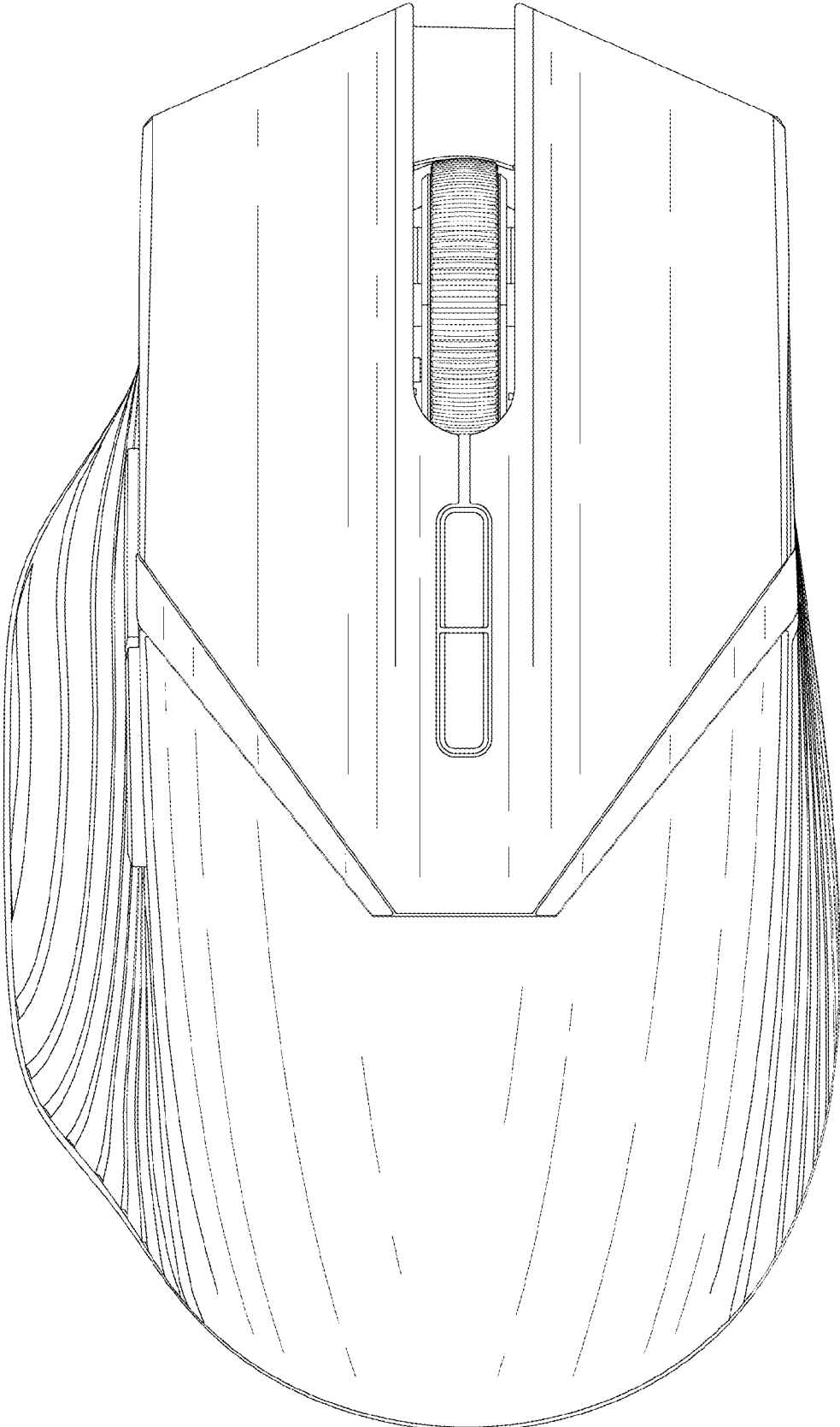


FIG. 3

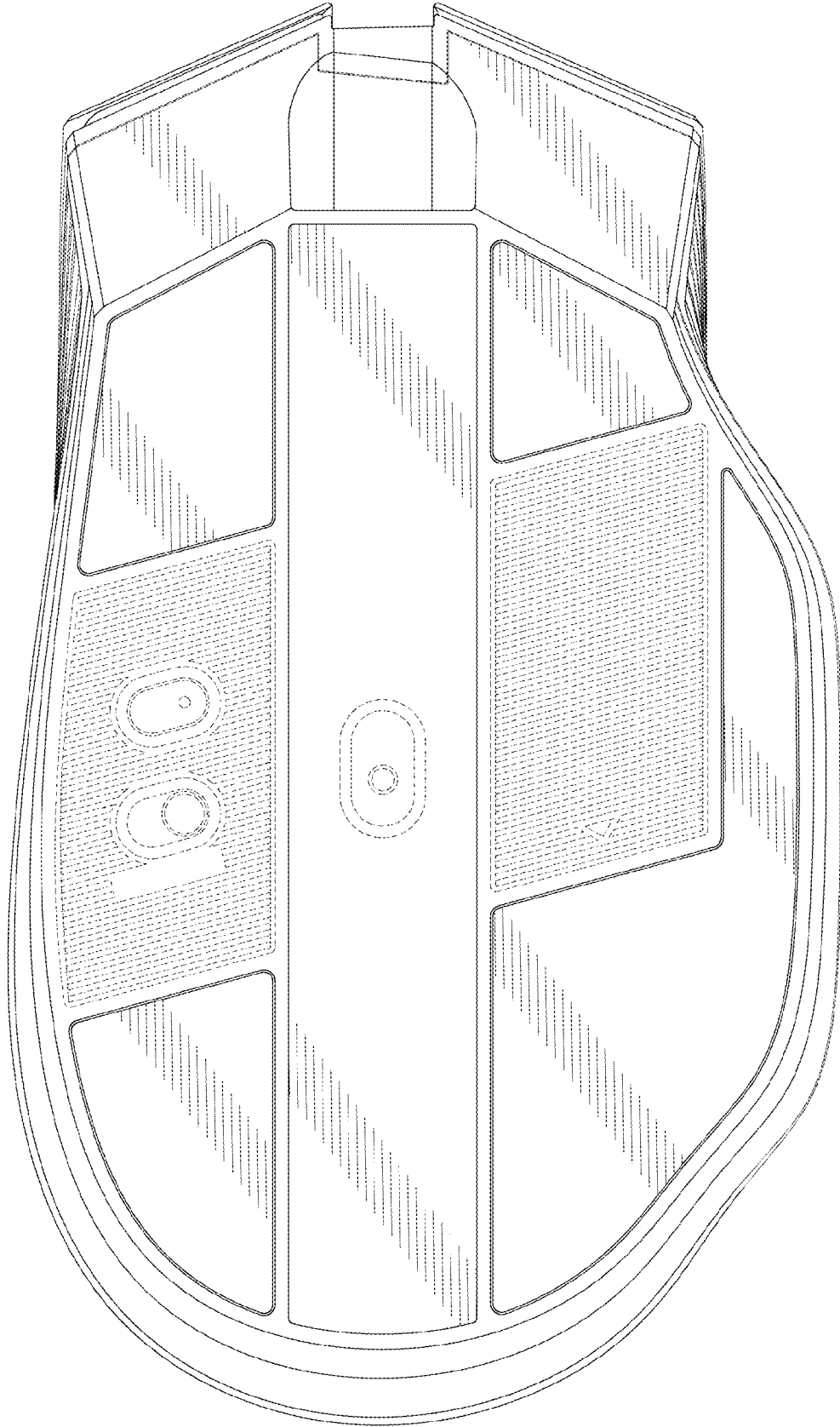


FIG. 4

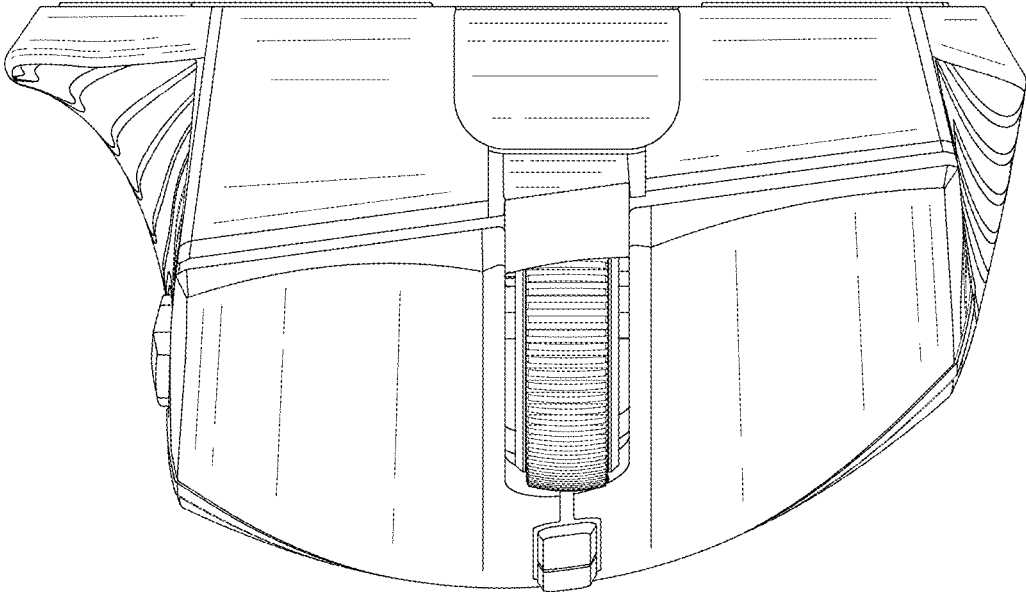


FIG. 5

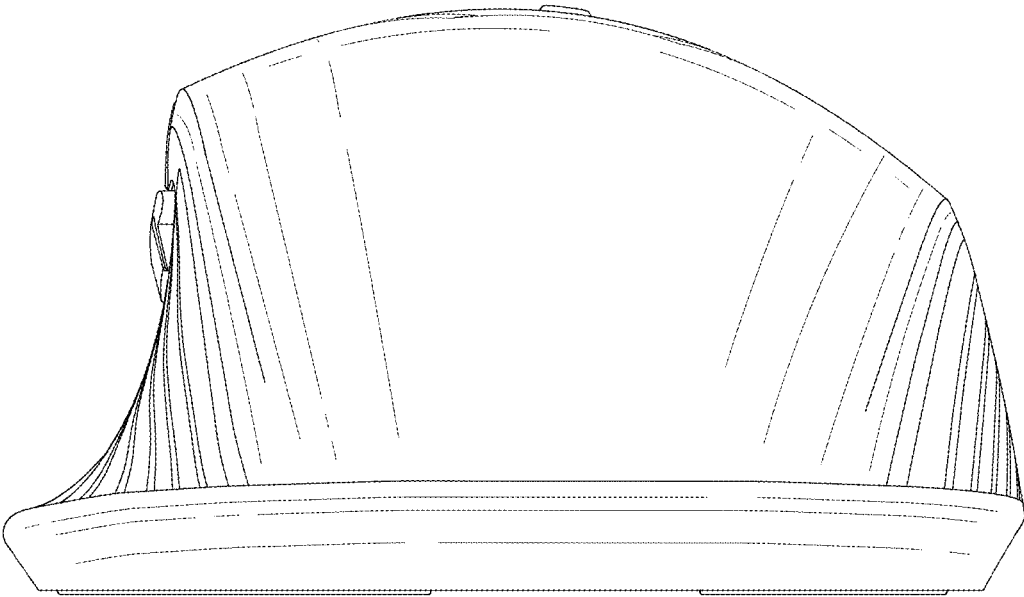


FIG. 6

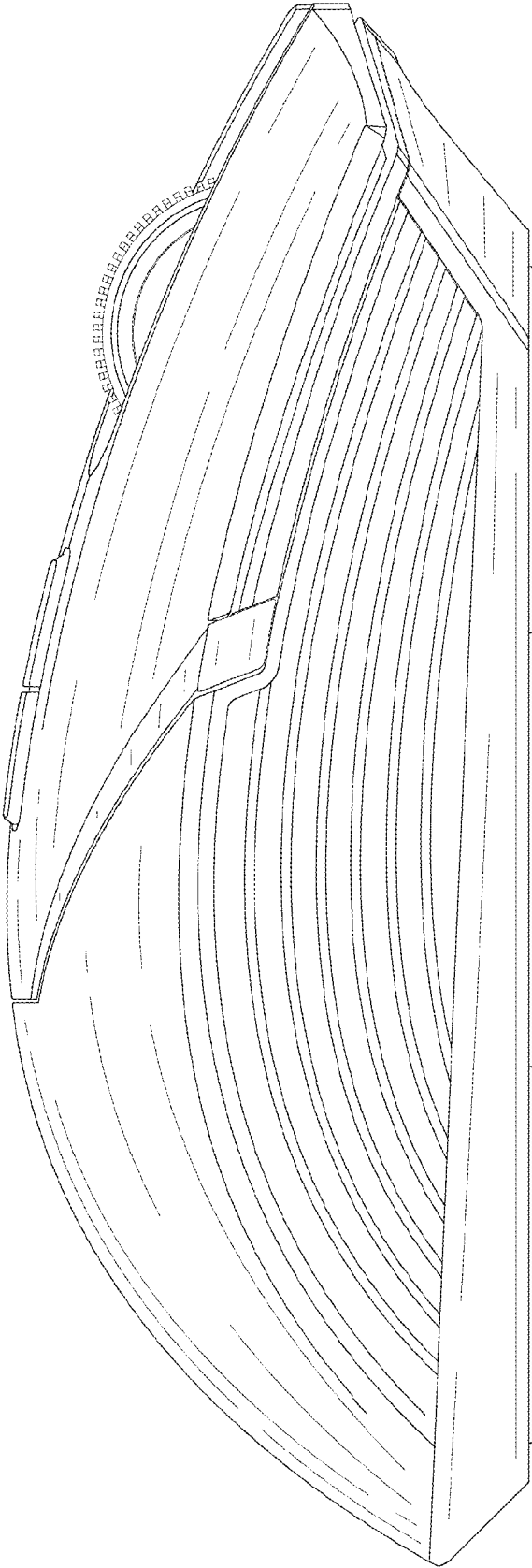


FIG. 7

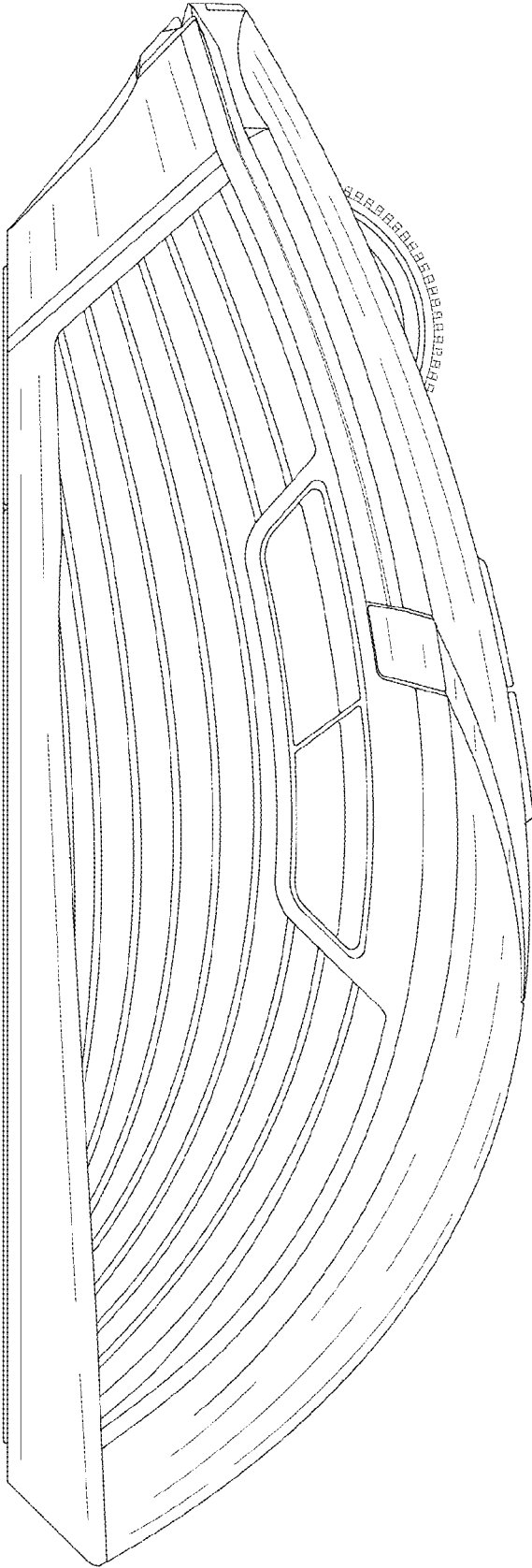


FIG. 8