

(19) World Intellectual Property
Organization
International Bureau



(43) International Publication Date
17 February 2005 (17.02.2005)

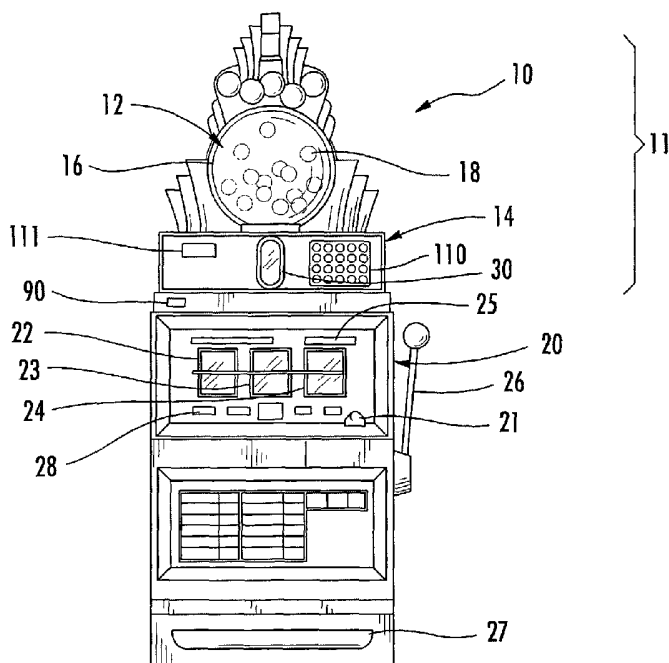
PCT

(10) International Publication Number
WO 2005/014130 A3

- (51) International Patent Classification⁷: **A63F 3/06**
- (21) International Application Number: PCT/US2004/020469
- (22) International Filing Date: 24 June 2004 (24.06.2004)
- (25) Filing Language: English
- (26) Publication Language: English
- (30) Priority Data:
 - 60/484,853 3 July 2003 (03.07.2003) US
 - 10/663,179 15 September 2003 (15.09.2003) US
- (71) Applicant (for all designated States except US): **ATLANTIC CITY COIN & SLOT SERVICE COMPANY, INC.** [US/US]; 201 West Decatur Avenue, Pleasantville, NJ 08232 (US).
- (72) Inventors: **SEELIG, Jerald, C.**; 201 West Decatur Avenue, Pleasantville, NJ 08232 (US). **HENSHAW, Lawrence, M.**; 201 West Decatur Avenue, Pleasantville, NJ 08232 (US).
- (74) Agent: **PACINI, Harry, A.**; Ian F. Burns & Associates, 1575 Delucchi Lane, Suite 222, Reno, NV 89502 (US).
- (81) Designated States (unless otherwise indicated, for every kind of national protection available): AE, AG, AL, AM, AT, AU, AZ, BA, BB, BG, BR, BW, BY, BZ, CA, CH, CN, CO, CR, CU, CZ, DE, DK, DM, DZ, EC, EE, EG, ES, FI, GB, GD, GE, GH, GM, HR, HU, ID, IL, IN, IS, JP, KE, KG, KP, KR, KZ, LC, LK, LR, LS, LT, LU, LV, MA, MD, MG, MK, MN, MW, MX, MZ, NA, NI, NO, NZ, OM, PG, PH, PL, PT, RO, RU, SC, SD, SE, SG, SK, SL, SY, TJ, TM, TN, TR, TT, TZ, UA, UG, US, UZ, VC, VN, YU, ZA, ZM, ZW.
- (84) Designated States (unless otherwise indicated, for every kind of regional protection available): ARIPO (BW, GH, GM, KE, LS, MW, MZ, NA, SD, SL, SZ, TZ, UG, ZM, ZW), Eurasian (AM, AZ, BY, KG, KZ, MD, RU, TJ, TM), European (AT, BE, BG, CH, CY, CZ, DE, DK, EE, ES, FI, FR, GB, GR, HU, IE, IT, LU, MC, NL, PL, PT, RO, SE, SI, SK, TR), OAPI (BF, BJ, CF, CG, CI, CM, GA, GN, GQ, GW, ML, MR, NE, SN, TD, TG).

[Continued on next page]

(54) Title: GAMING MACHINE WITH ACTION UNIT CONTAINER



(57) Abstract: A gaming machine (10) includes a rotatable container (12) in which there are moveable objects (18). Upon activation of the rotatable container (12) the gaming machine simulates choosing a movable object (18) and displays a processor-selected object in window (30). The indicium on the processor-selected object may be used in a bonus game displayed in game matrix (110).

WO 2005/014130 A3



Published:

- *with international search report*
- *before the expiration of the time limit for amending the claims and to be republished in the event of receipt of amendments*

For two-letter codes and other abbreviations, refer to the "Guidance Notes on Codes and Abbreviations" appearing at the beginning of each regular issue of the PCT Gazette.

(88) Date of publication of the international search report:

21 April 2005

INTERNATIONAL SEARCH REPORT

International application No.

PCT/US04/20469

<p>A. CLASSIFICATION OF SUBJECT MATTER IPC(7) A63F 3/06 US CL 463/17 According to International Patent Classification (IPC) or to both national classification and IPC</p>																				
<p>B. FIELDS SEARCHED Minimum documentation searched (classification system followed by classification symbols) U.S. : 463/17</p> <p>Documentation searched other than minimum documentation to the extent that such documents are included in the fields searched</p> <p>Electronic data base consulted during the international search (name of data base and, where practicable, search terms used)</p>																				
<p>C. DOCUMENTS CONSIDERED TO BE RELEVANT</p> <table border="1"> <thead> <tr> <th>Category *</th> <th>Citation of document, with indication, where appropriate, of the relevant passages</th> <th>Relevant to claim No.</th> </tr> </thead> <tbody> <tr> <td>X</td> <td>US 6,338,678 B1 (Seelig et al.) 15 January 2002 (15.01.2002) Entire document</td> <td>1-4, 7, 9-25, 29-46, 48-55</td> </tr> <tr> <td>---</td> <td></td> <td>-----</td> </tr> <tr> <td>Y</td> <td></td> <td>5, 6, 8, 26, 27</td> </tr> <tr> <td>Y</td> <td>US 5,380,007 A (Travis et al.) 10 January 1995 (10.01.1995) Fig 1</td> <td>5, 26</td> </tr> <tr> <td>Y</td> <td>US 5,188,363 A (Marnell II, et al.) 23 February 1993 (23.02.1993) Fig 1</td> <td>8, 27, 41</td> </tr> </tbody> </table>			Category *	Citation of document, with indication, where appropriate, of the relevant passages	Relevant to claim No.	X	US 6,338,678 B1 (Seelig et al.) 15 January 2002 (15.01.2002) Entire document	1-4, 7, 9-25, 29-46, 48-55	---		-----	Y		5, 6, 8, 26, 27	Y	US 5,380,007 A (Travis et al.) 10 January 1995 (10.01.1995) Fig 1	5, 26	Y	US 5,188,363 A (Marnell II, et al.) 23 February 1993 (23.02.1993) Fig 1	8, 27, 41
Category *	Citation of document, with indication, where appropriate, of the relevant passages	Relevant to claim No.																		
X	US 6,338,678 B1 (Seelig et al.) 15 January 2002 (15.01.2002) Entire document	1-4, 7, 9-25, 29-46, 48-55																		
---		-----																		
Y		5, 6, 8, 26, 27																		
Y	US 5,380,007 A (Travis et al.) 10 January 1995 (10.01.1995) Fig 1	5, 26																		
Y	US 5,188,363 A (Marnell II, et al.) 23 February 1993 (23.02.1993) Fig 1	8, 27, 41																		
<p><input type="checkbox"/> Further documents are listed in the continuation of Box C. <input type="checkbox"/> See patent family annex.</p>																				
<p>* Special categories of cited documents:</p> <table border="0"> <tr> <td>"A" document defining the general state of the art which is not considered to be of particular relevance</td> <td>"T" later document published after the international filing date or priority date and not in conflict with the application but cited to understand the principle or theory underlying the invention</td> </tr> <tr> <td>"E" earlier application or patent published on or after the international filing date</td> <td>"X" document of particular relevance; the claimed invention cannot be considered novel or cannot be considered to involve an inventive step when the document is taken alone</td> </tr> <tr> <td>"L" document which may throw doubts on priority claim(s) or which is cited to establish the publication date of another citation or other special reason (as specified)</td> <td>"Y" document of particular relevance; the claimed invention cannot be considered to involve an inventive step when the document is combined with one or more other such documents, such combination being obvious to a person skilled in the art</td> </tr> <tr> <td>"O" document referring to an oral disclosure, use, exhibition or other means</td> <td>"&" document member of the same patent family</td> </tr> <tr> <td>"P" document published prior to the international filing date but later than the priority date claimed</td> <td></td> </tr> </table>			"A" document defining the general state of the art which is not considered to be of particular relevance	"T" later document published after the international filing date or priority date and not in conflict with the application but cited to understand the principle or theory underlying the invention	"E" earlier application or patent published on or after the international filing date	"X" document of particular relevance; the claimed invention cannot be considered novel or cannot be considered to involve an inventive step when the document is taken alone	"L" document which may throw doubts on priority claim(s) or which is cited to establish the publication date of another citation or other special reason (as specified)	"Y" document of particular relevance; the claimed invention cannot be considered to involve an inventive step when the document is combined with one or more other such documents, such combination being obvious to a person skilled in the art	"O" document referring to an oral disclosure, use, exhibition or other means	"&" document member of the same patent family	"P" document published prior to the international filing date but later than the priority date claimed									
"A" document defining the general state of the art which is not considered to be of particular relevance	"T" later document published after the international filing date or priority date and not in conflict with the application but cited to understand the principle or theory underlying the invention																			
"E" earlier application or patent published on or after the international filing date	"X" document of particular relevance; the claimed invention cannot be considered novel or cannot be considered to involve an inventive step when the document is taken alone																			
"L" document which may throw doubts on priority claim(s) or which is cited to establish the publication date of another citation or other special reason (as specified)	"Y" document of particular relevance; the claimed invention cannot be considered to involve an inventive step when the document is combined with one or more other such documents, such combination being obvious to a person skilled in the art																			
"O" document referring to an oral disclosure, use, exhibition or other means	"&" document member of the same patent family																			
"P" document published prior to the international filing date but later than the priority date claimed																				
<p>Date of the actual completion of the international search 02 December 2004 (02.12.2004)</p>		<p>Date of mailing of the international search report 14 FEB 2005</p>																		
<p>Name and mailing address of the ISA/US Mail Stop PCT, Attn: ISA/US Commissioner for Patents P.O. Box 1450 Alexandria, Virginia 22313-1450 Facsimile No. (703) 305-3230</p>		<p>Authorized officer Corbett B. Coburn Telephone No. (703) 308-1148</p>																		