



US00D997138S

(12) **United States Design Patent**
Lin

(10) **Patent No.:** **US D997,138 S**

(45) **Date of Patent:** **** Aug. 29, 2023**

(54) **MICROPHONE**

(71) Applicant: **Shenzhen FuXin Industrial Co., Ltd,**
Guangdong (CN)

(72) Inventor: **Shubin Lin,** Guangdong (CN)

(**) Term: **15 Years**

(21) Appl. No.: **29/813,130**

(22) Filed: **Oct. 27, 2021**

(30) **Foreign Application Priority Data**

Sep. 2, 2021 (CN) 202130579628.2

(51) **LOC (14) Cl.** **14-01**

(52) **U.S. Cl.**
USPC **D14/225**

(58) **Field of Classification Search**

USPC D14/155-159, 160-173, 187-188,
D14/189-198, 203.1-203.8, 204-216,
D14/217-222, 224-229, 239, 251-253,
D14/257-258, 335-337, 371-382, 432,
D14/439-441, 447-452, 457, 492, 496,
D14/498-506; D6/672-673, 675.1, 682;
D20/27; D28/85-88; D13/108-109
CPC H04R 1/02; H04R 1/021; H04R 1/025;
H04R 1/026; H04R 1/028; H04R 1/06;
H04R 1/105; H04R 1/323; H04R 1/403;
H04R 1/2803; H04R 1/2834

See application file for complete search history.

(56) **References Cited**

U.S. PATENT DOCUMENTS

D610,538 S * 2/2010 Wu D13/103
D618,226 S * 6/2010 Tong D14/242
D656,483 S * 3/2012 Colquhoun D14/209.1

(Continued)

FOREIGN PATENT DOCUMENTS

CN 307065759 * 1/2022
CN 307065761 * 1/2022
CN 307107623 * 2/2022

OTHER PUBLICATIONS

Instamic Pro Plus, date not available, [retrieved Mar. 21, 2023],
Retrieved from Internet, URL: <https://instamic.io/products/instamic-
pro-plus> (Year: 2023).*

(Continued)

Primary Examiner — Messina L Smith

Assistant Examiner — Aram Kwon

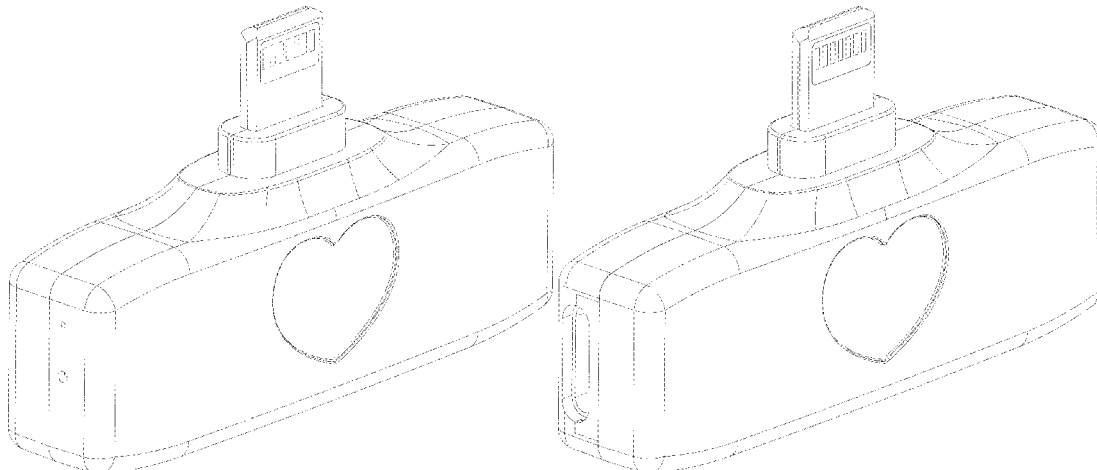
(57) **CLAIM**

The ornamental design for a microphone, as shown and
described.

DESCRIPTION

FIG. 1 is a front elevational view of a first embodiment of
a microphone showing my new design;
FIG. 2 is a rear elevational view thereof;
FIG. 3 is a left side view thereof, shown in an enlarged scale;
FIG. 4 is a right side view thereof, shown in an enlarged
scale;
FIG. 5 is a top plan view thereof;
FIG. 6 is a bottom plan view thereof;
FIG. 7 is a perspective view thereof; and
FIG. 8 is a second perspective view thereof.
FIG. 9 is a front elevational view of a second embodiment
of the microphone showing my new design;
FIG. 10 is a rear elevational view thereof;
FIG. 11 is a left side view thereof, shown in an enlarged
scale;
FIG. 12 is a right side view thereof, shown in an enlarged
scale;
FIG. 13 is a top plan view thereof;
FIG. 14 is a bottom plan view thereof;
FIG. 15 is a perspective view thereof; and
FIG. 16 is a second perspective view thereof.

1 Claim, 16 Drawing Sheets



(56)

References Cited

U.S. PATENT DOCUMENTS

D684,976	S	*	6/2013	Akana	D14/433
D688,651	S	*	8/2013	Daniel	D14/240
D689,433	S	*	9/2013	Wang	D13/110
D751,985	S	*	3/2016	Curry	D13/103
D797,747	S	*	9/2017	Xu	D14/433
D803,226	S	*	11/2017	Lee	D14/480.1
D915,273	S	*	4/2021	Georgiades	D13/108
D969,738	S	*	11/2022	Liao	D13/108
2012/0187902	A1	*	7/2012	Wang	H02J 7/00 320/107

OTHER PUBLICATIONS

K9 Wireless Dual Microphone, date not available, [retrieved Mar. 21, 2023], Retrieved from Internet, URL: <<https://gadgetvandarbd.com/product/k9-dual-wireless-microphone-for-type-c-apple-lightning/>> (Year: 2023).*

* cited by examiner

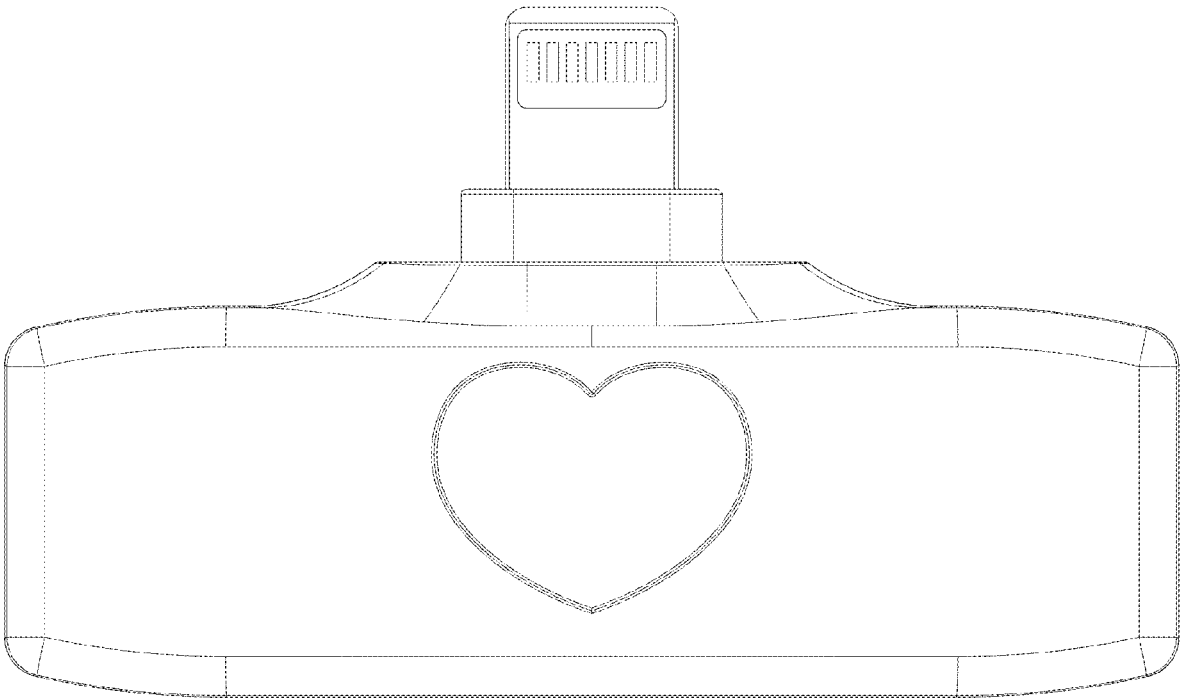


FIG. 1

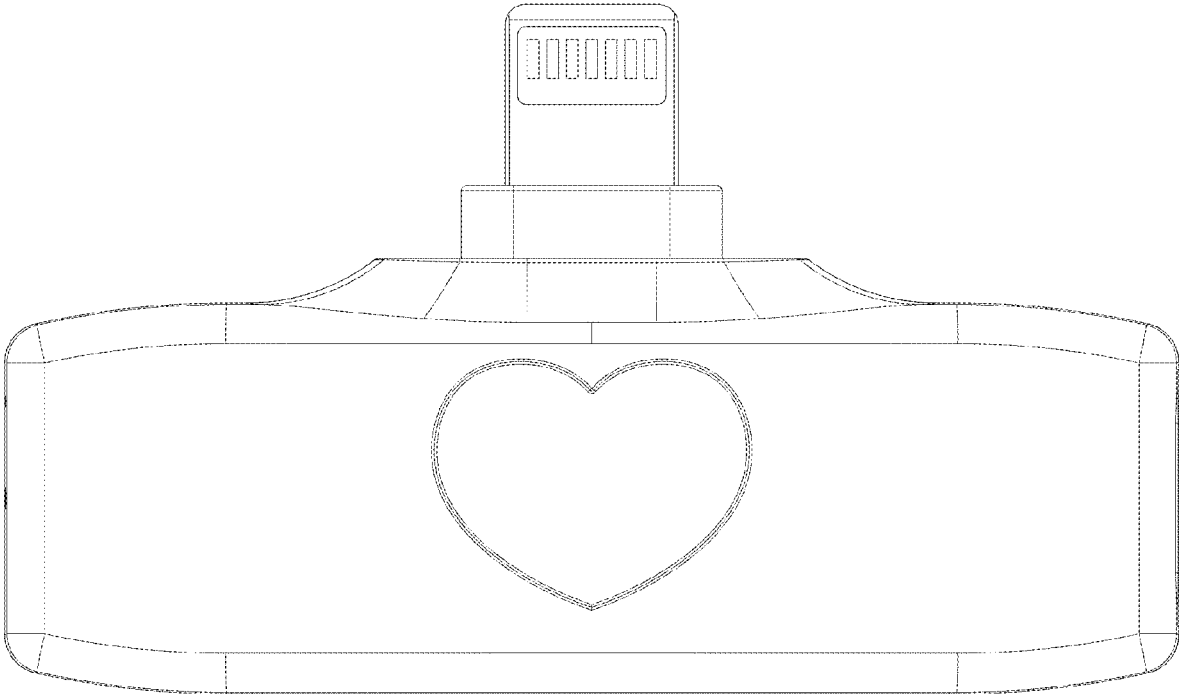


FIG. 2

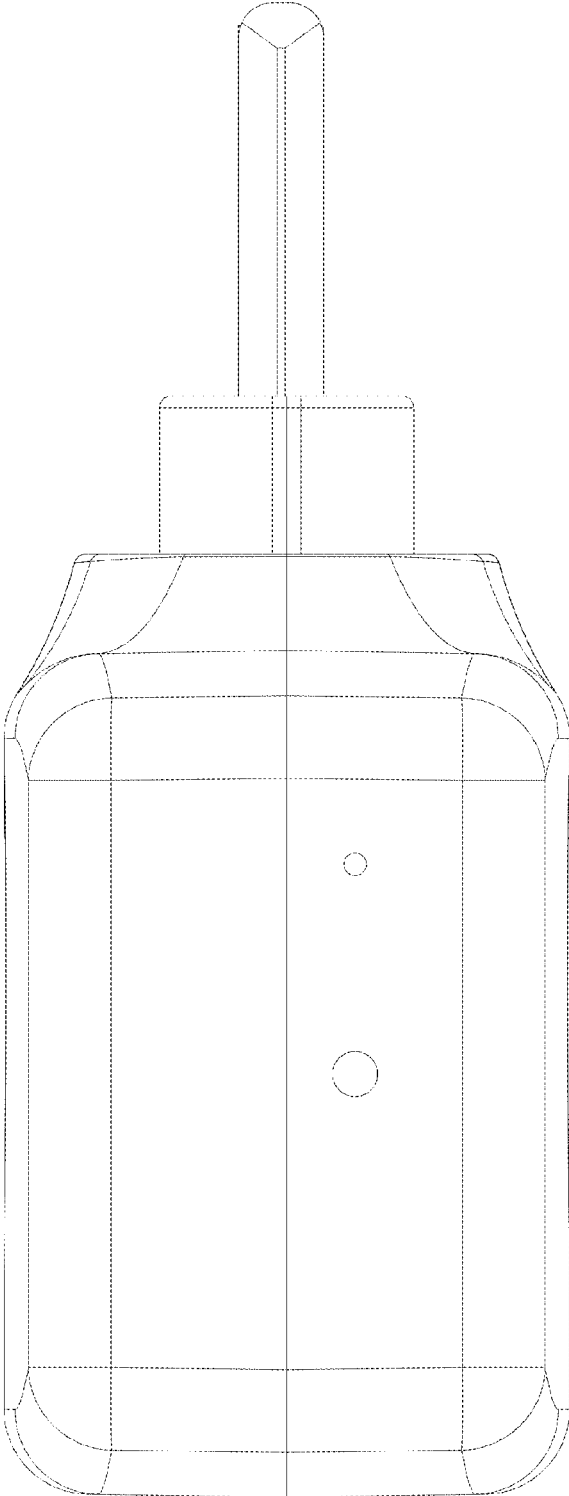


FIG. 3

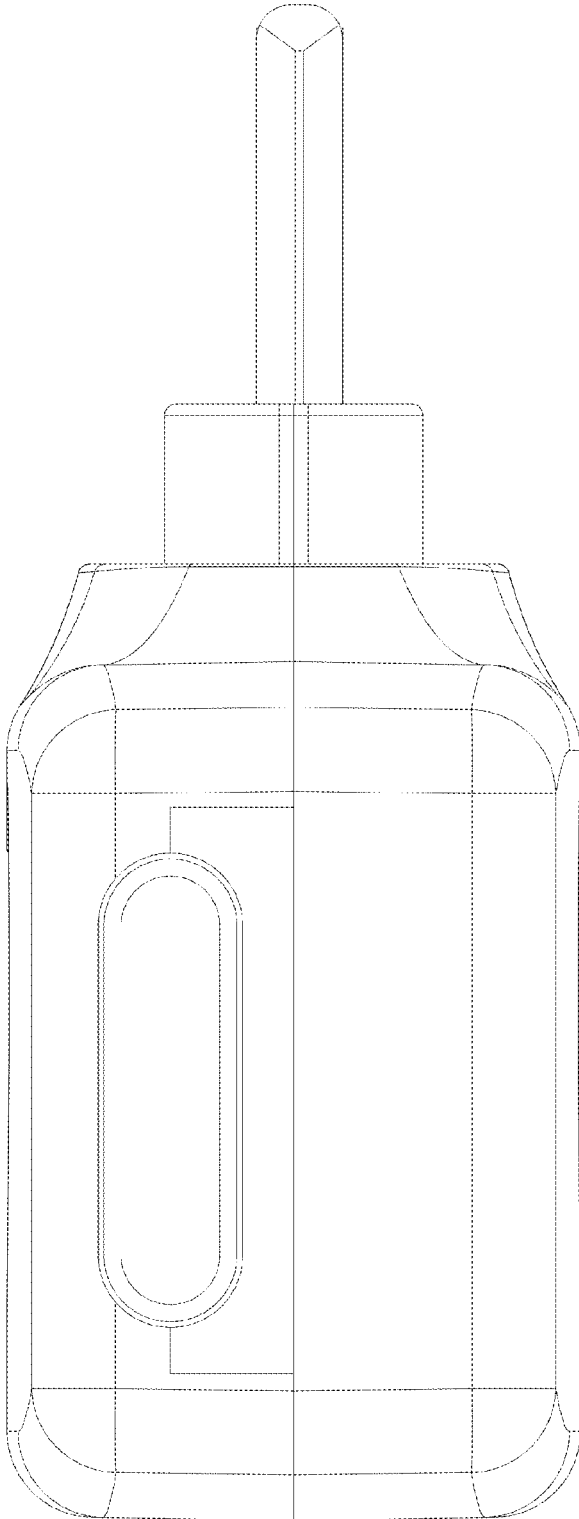


FIG. 4

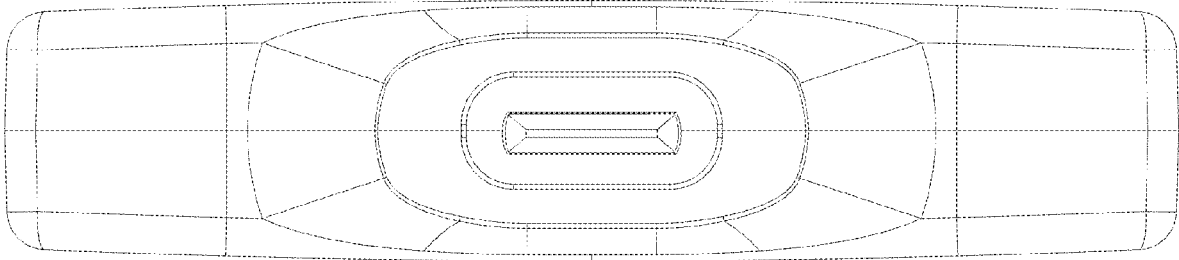


FIG. 5

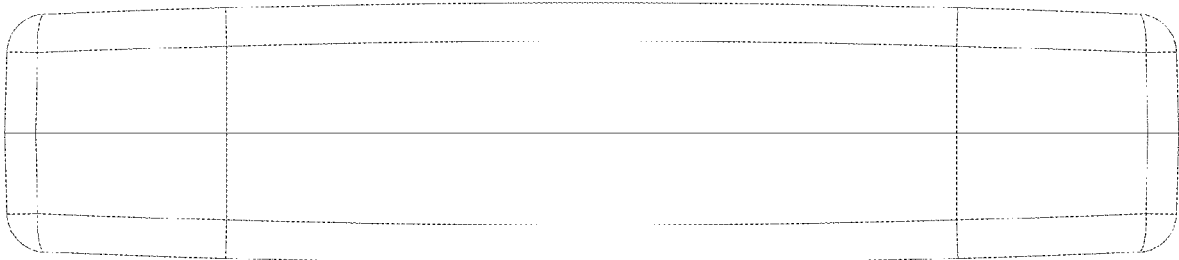


FIG. 6

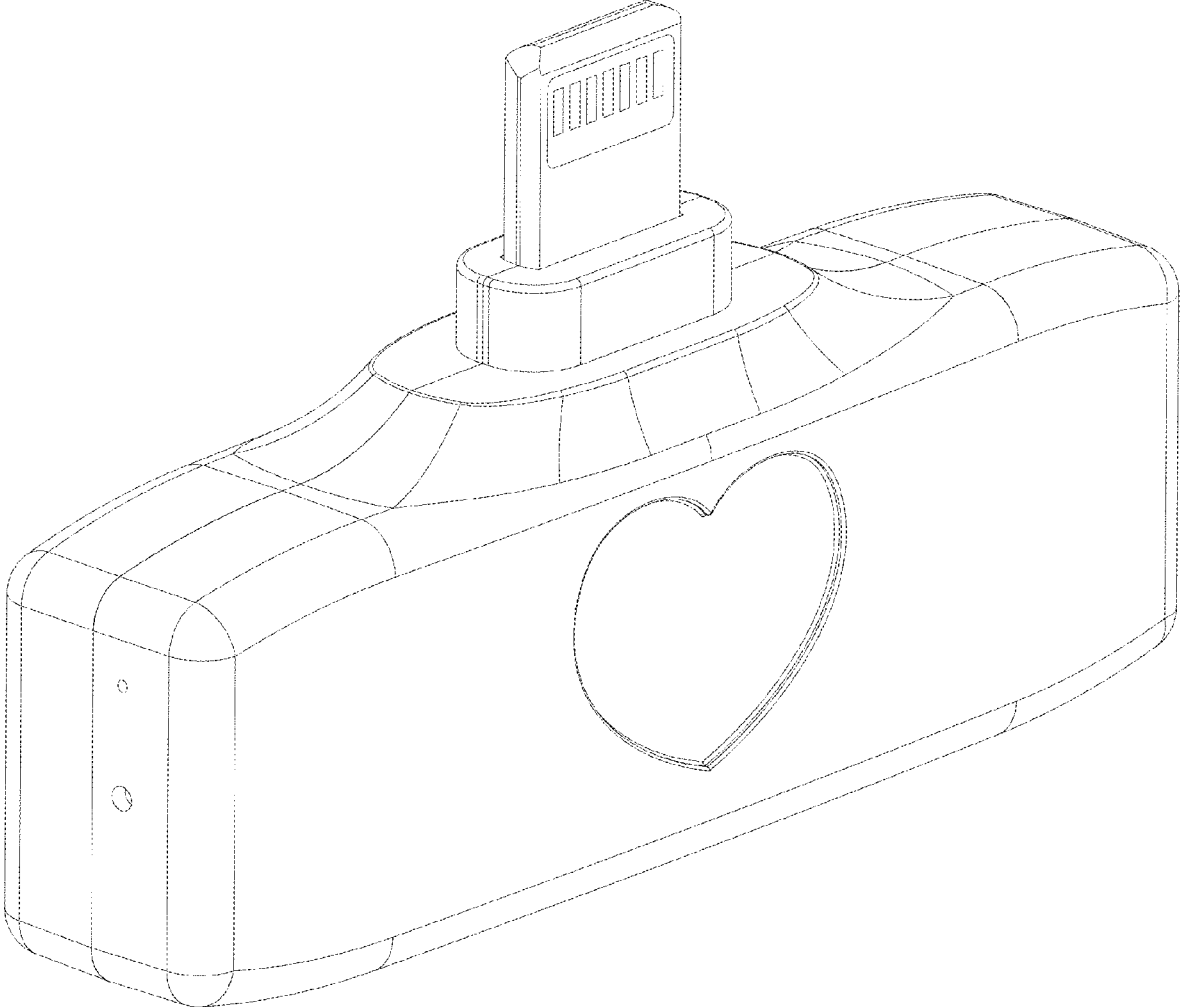


FIG. 7

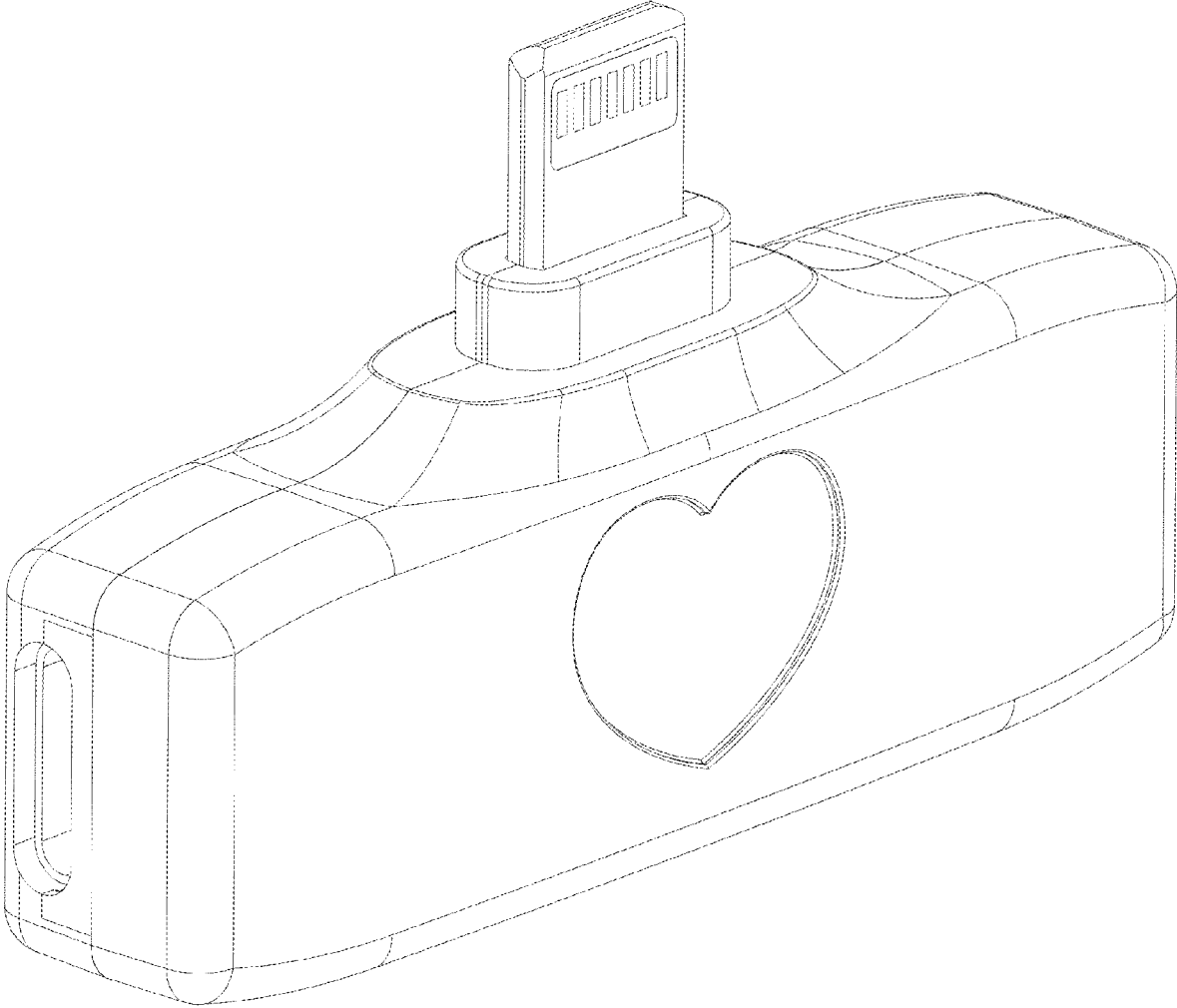


FIG. 8

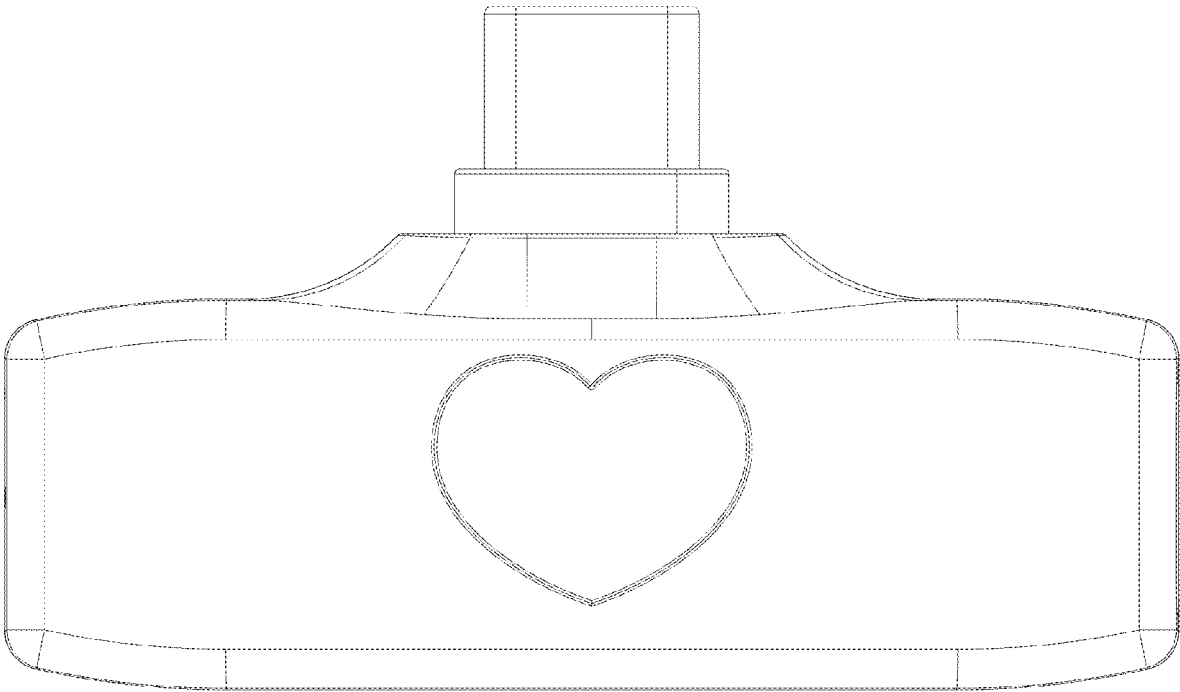


FIG. 9

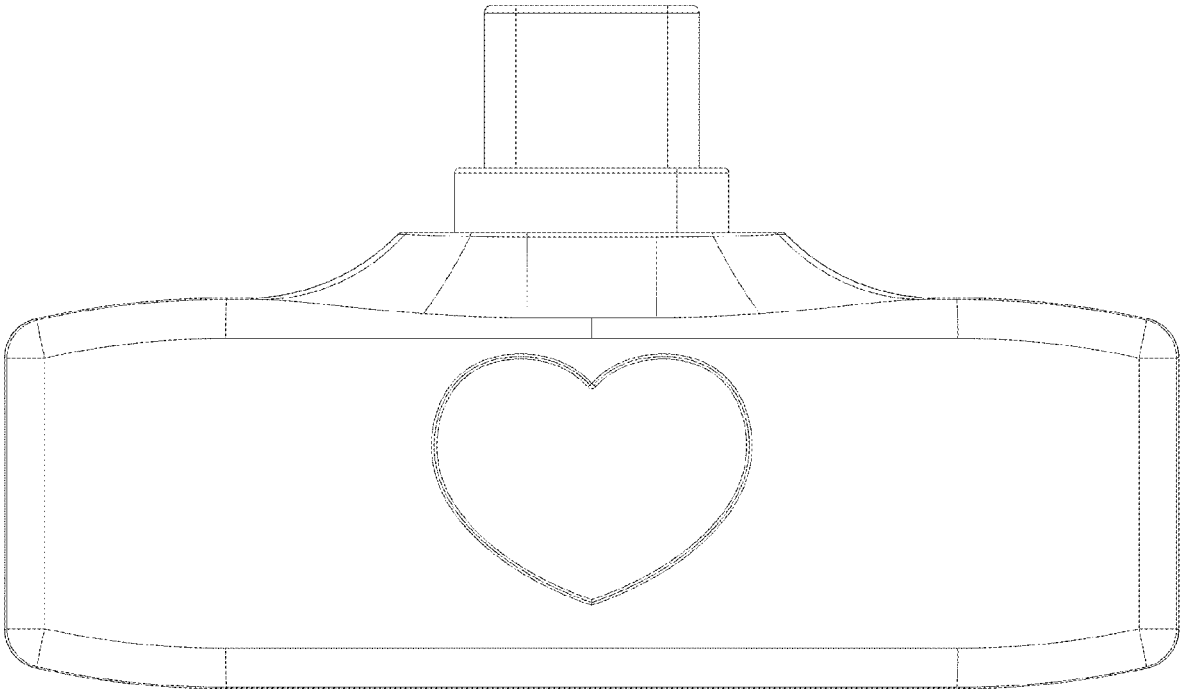


FIG. 10

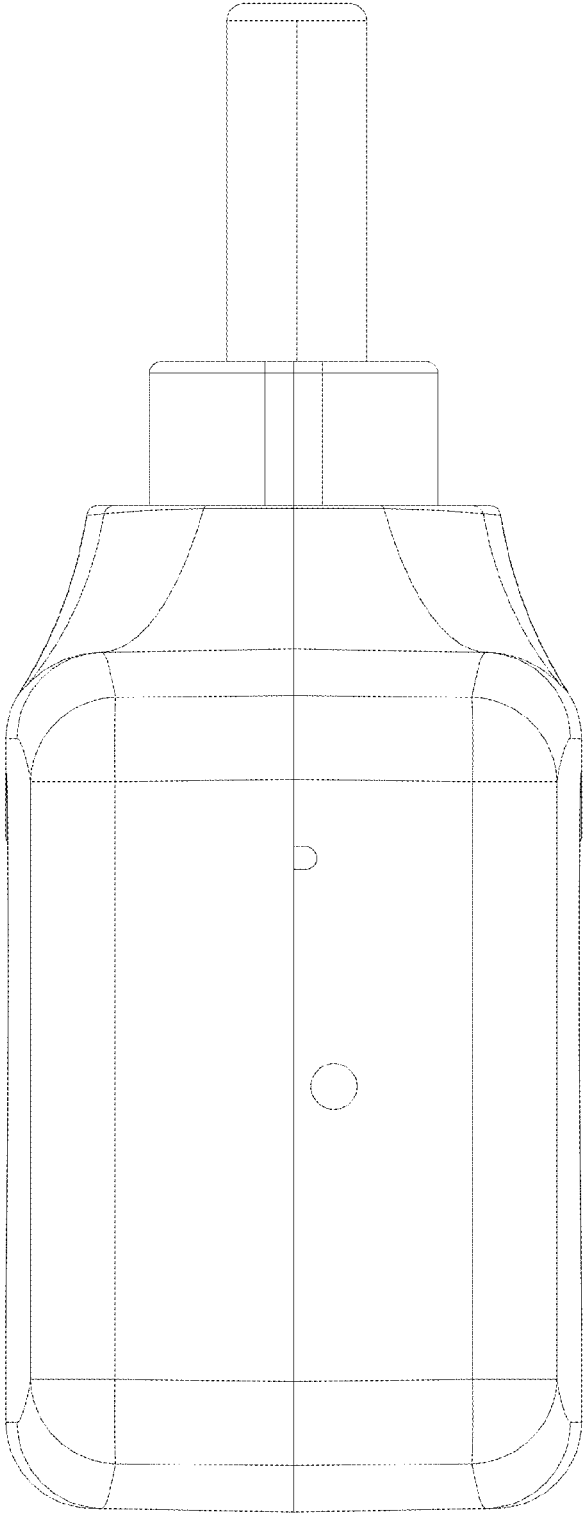


FIG. 11

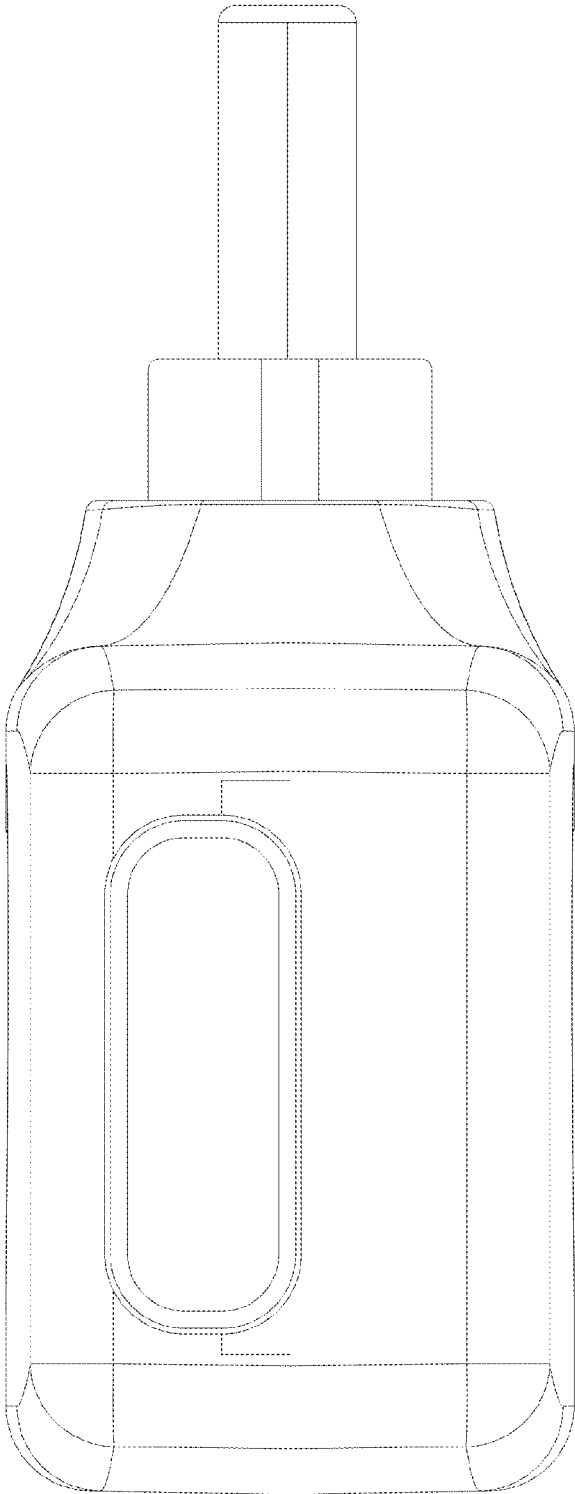


FIG. 12

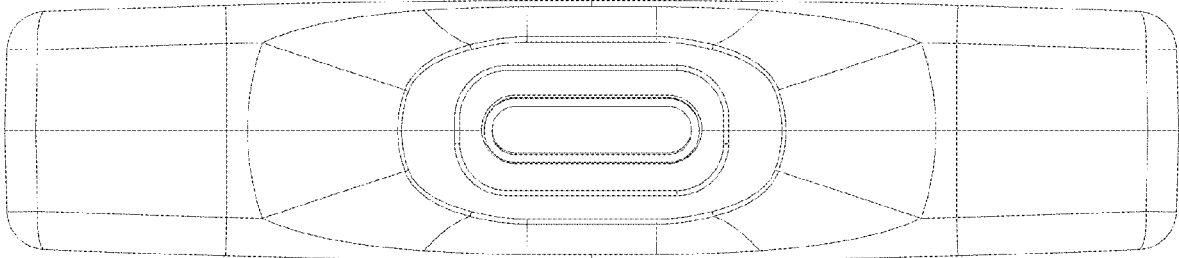


FIG. 13

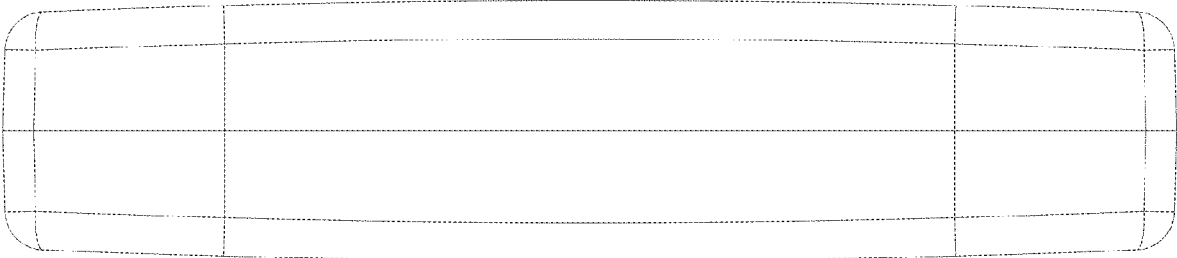


FIG. 14

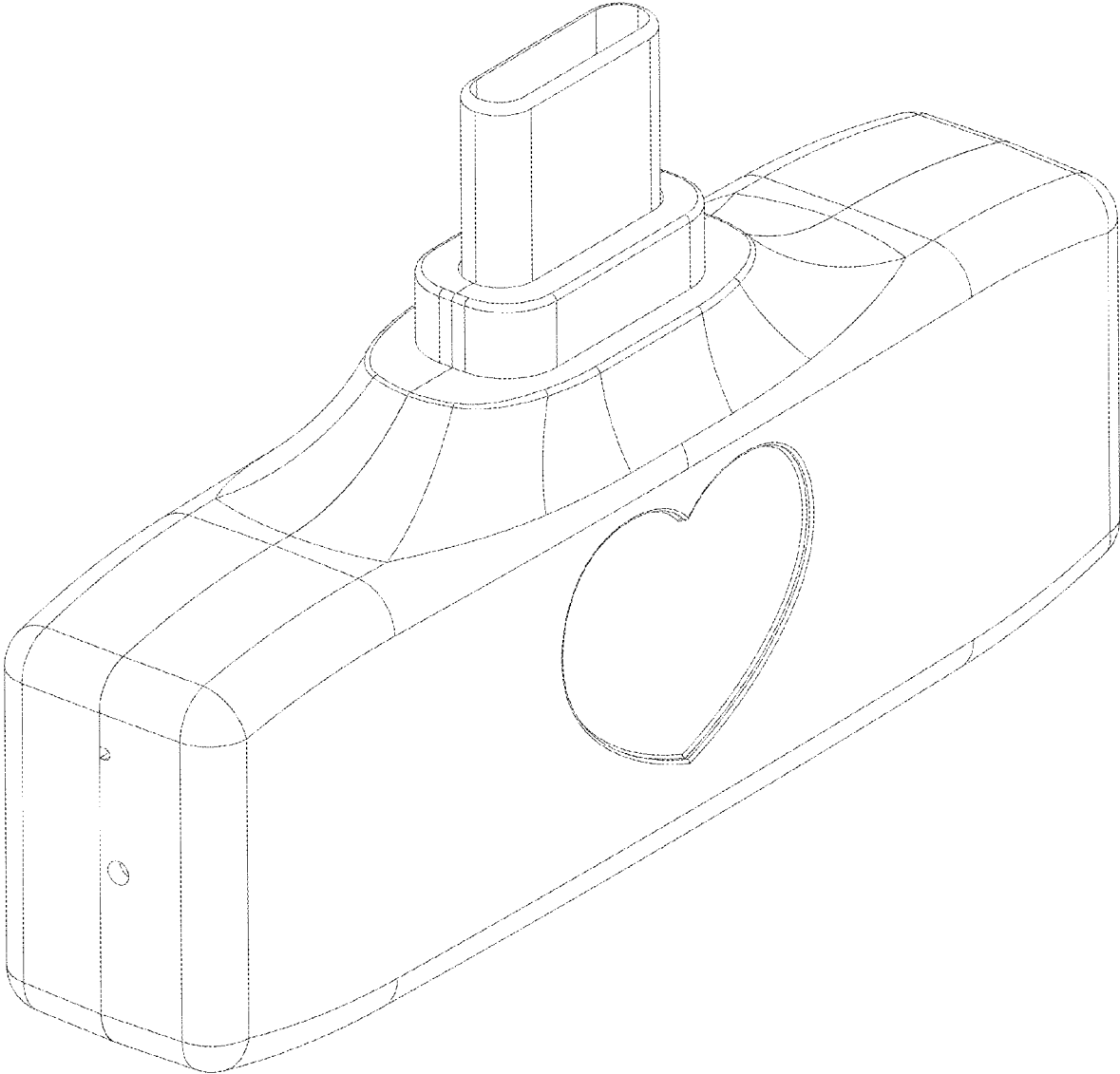


FIG. 15

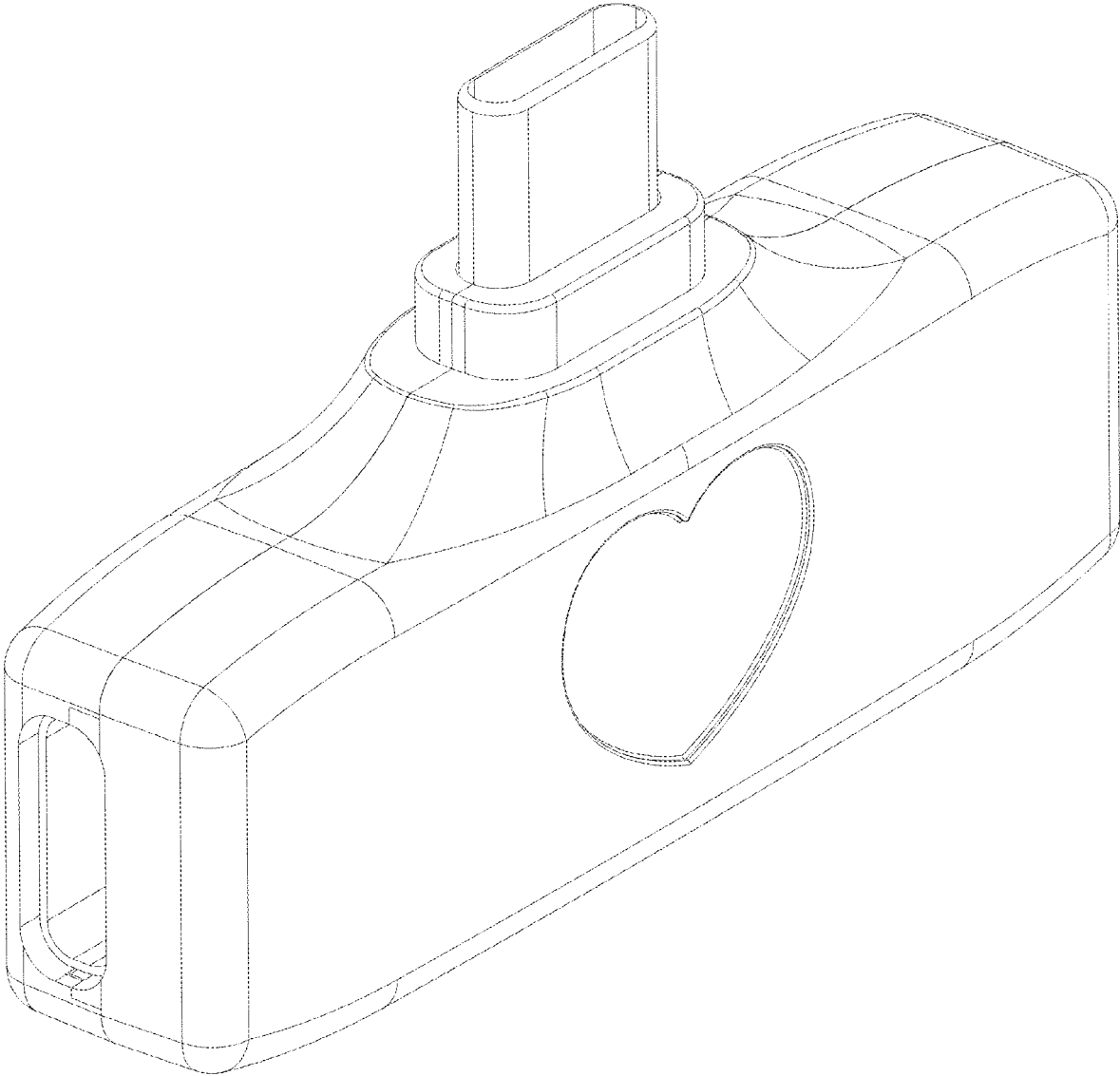


FIG. 16