

(19) World Intellectual Property Organization
International Bureau



(43) International Publication Date
28 May 2009 (28.05.2009)

PCT

(10) International Publication Number
WO 2009/065931 A3

- (51) International Patent Classification:
A61B 5/022 (2006.01)
- (21) International Application Number:
PCT/EP2008/065994
- (22) International Filing Date:
21 November 2008 (21.11.2008)
- (25) Filing Language: English
- (26) Publication Language: English
- (30) Priority Data:
0722998.2 23 November 2007 (23.11.2007) GB
- (71) Applicant and
- (72) Inventor: SHTURMAN, Leonid [US/CH]; Ch. Valmont
16, CH-1260 Nyon (CH).
- (74) Agent: GREY, Ian; 20 Little Britain, London EC1A 7DH
(GB).
- (81) Designated States (*unless otherwise indicated, for every
kind of national protection available*): AE, AG, AL, AM,
AO, AT, AU, AZ, BA, BB, BG, BH, BR, BW, BY, BZ, CA,
CH, CN, CO, CR, CU, CZ, DE, DK, DM, DO, DZ, EC, EE,

EG, ES, FI, GB, GD, GE, GH, GM, GT, HN, HR, HU, ID,
IL, IN, IS, JP, KE, KG, KM, KN, KP, KR, KZ, LA, LC, LK,
LR, LS, LT, LU, LY, MA, MD, ME, MG, MK, MN, MW,
MX, MY, MZ, NA, NG, NI, NO, NZ, OM, PG, PH, PL, PT,
RO, RS, RU, SC, SD, SE, SG, SK, SL, SM, ST, SV, SY, TJ,
TM, TN, TR, TT, TZ, UA, UG, US, UZ, VC, VN, ZA, ZM,
ZW.

- (84) Designated States (*unless otherwise indicated, for every
kind of regional protection available*): ARIPO (BW, GH,
GM, KE, LS, MW, MZ, NA, SD, SL, SZ, TZ, UG, ZM,
ZW), Eurasian (AM, AZ, BY, KG, KZ, MD, RU, TJ, TM),
European (AT, BE, BG, CH, CY, CZ, DE, DK, EE, ES, FI,
FR, GB, GR, HR, HU, IE, IS, IT, LT, LU, LV, MC, MT, NL,
NO, PL, PT, RO, SE, SI, SK, TR), OAPI (BF, BJ, CF, CG,
CI, CM, GA, GN, GQ, GW, ML, MR, NE, SN, TD, TG).

- Published:**
- with international search report
 - before the expiration of the time limit for amending the
claims and to be republished in the event of receipt of
amendments

[Continued on next page]

(54) Title: BLOOD PRESSURE MEASURING CUFF

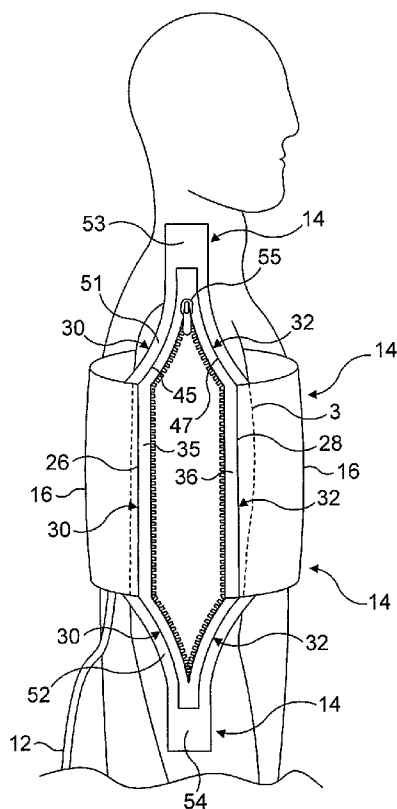


FIG. 2A

(57) Abstract: An inflatable cuff comprising an inflatable bladder and a strap member which forms a sleeve configured to extend around an arm of a person is disclosed. The sleeve shaped strap member has a waist portion which carries the bladder and a pair of longitudinally extending edges. The longitudinally extending edges of the waist portion are attached to complementary interlocking halves of a zip fastener to enable the longitudinally extending edges to be zipped together to reduce the circumference of the waist portion of the sleeve and secure the cuff in position around a person's arm whose blood pressure is to be measured.

WO 2009/065931 A3



(88) Date of publication of the international search report:
30 July 2009

INTERNATIONAL SEARCH REPORT

International application No
PCT/EP2008/065994

A. CLASSIFICATION OF SUBJECT MATTER INV. A61B5/022		
According to International Patent Classification (IPC) or to both national classification and IPC		
B. FIELDS SEARCHED		
Minimum documentation searched (classification system followed by classification symbols) A61B A61F A41F B65D A45C A41D		
Documentation searched other than minimum documentation to the extent that such documents are included in the fields searched		
Electronic data base consulted during the International search (name of data base and, where practical, search terms used) EPO-Internal		
C. DOCUMENTS CONSIDERED TO BE RELEVANT		
Category*	Citation of document, with indication, where appropriate, of the relevant passages	Relevant to claim No.
X	US 3 929 129 A (ARCHAMBAULT RENE F) 30 December 1975 (1975-12-30)	1,2,4, 17-20, 57,60,61
Y	column 1, line 26 - column 2, line 44; figures 1,3,4	3,5-16, 21-45, 58,59,62
Y	----- GB 854 573 A (LOUIS CURTIS) 23 November 1960 (1960-11-23)	3,5,6,8, 9,21,22, 59
A	----- DE 203 05 953 U1 (KORIAT DAVID [DE]) 28 August 2003 (2003-08-28)	3,5,6,8, 9,21,22, 59
----- -/--	----- -/--	----- -/--
<input checked="" type="checkbox"/> Further documents are listed in the continuation of Box C.		
<input checked="" type="checkbox"/> See patent family annex.		
* Special categories of cited documents :		
A document defining the general state of the art which is not considered to be of particular relevance	*T* later document published after the international filing date or priority date and not in conflict with the application but cited to understand the principle or theory underlying the invention	
E earlier document but published on or after the international filing date	*X* document of particular relevance; the claimed invention cannot be considered novel or cannot be considered to involve an inventive step when the document is taken alone	
L document which may throw doubts on priority claim(s) or which is cited to establish the publication date of another citation or other special reason (as specified)	*Y* document of particular relevance; the claimed invention cannot be considered to involve an inventive step when the document is combined with one or more other such documents, such combination being obvious to a person skilled in the art.	
O document referring to an oral disclosure, use, exhibition or other means	*&* document member of the same patent family	
P document published prior to the international filing date but later than the priority date claimed		
Date of the actual completion of the international search <p style="text-align: center;">20 May 2009</p>	Date of mailing of the international search report <p style="text-align: center;">05/06/2009</p>	
Name and mailing address of the ISA/ European Patent Office, P.B. 5818 Patentlaan 2 NL - 2280 HV Rijswijk Tel. (+31-70) 340-2040, Fax: (+31-70) 340-3016	Authorized officer <p style="text-align: center;">Rapp, Alexander</p>	

INTERNATIONAL SEARCH REPORT

International application No
PCT/EP2008/065994

C(Continuation). DOCUMENTS CONSIDERED TO BE RELEVANT		
Category*	Citation of document, with indication, where appropriate, of the relevant passages	Relevant to claim No.
A	EP 1 405 797 A (ILLINOIS TOOL WORKS [US]) 7 April 2004 (2004-04-07) paragraphs [0018] - [0034]; figure 1	3,5,6,8, 9,21,22, 59
Y	US 4 620 320 A (SULLIVAN BRIAN [US]) 28 October 1986 (1986-10-28) column 2, lines 13-58; figures 1,2	7,23-26
A	GB 2 357 573 A (ALLEN CATHERINE EMMA [GB]) 27 June 2001 (2001-06-27) figure 1	7,23-26
Y	US 5 014 681 A (HEEMAN AVRAHAM [IL] ET AL) 14 May 1991 (1991-05-14) column 3, line 57 - column 4, line 48; figure 1	58
A	GB 2 039 208 A (SWEGMARK OF SWEDEN AB) 6 August 1980 (1980-08-06) page 1; figures 1,2	1-9, 21-26, 57-59,61
Y	FR 1 595 757 A (ETABLISSEMENT BACHELIER) 15 June 1970 (1970-06-15) page 1, line 1 - page 2, line 11	10-16, 36-45,62
Y	US 2 495 316 A (CLARK DAVID M ET AL) 24 January 1950 (1950-01-24) column 2, line 46 - column 4, line 72 figure 5	27-45

INTERNATIONAL SEARCH REPORT

International application No.
PCT/EP2008/065994

Box No. II Observations where certain claims were found unsearchable (Continuation of item 2 of first sheet)

This international search report has not been established in respect of certain claims under Article 17(2)(a) for the following reasons:

1. Claims Nos.:
because they relate to subject matter not required to be searched by this Authority, namely:

2. Claims Nos.:
because they relate to parts of the international application that do not comply with the prescribed requirements to such an extent that no meaningful international search can be carried out, specifically:

3. Claims Nos.:
because they are dependent claims and are not drafted in accordance with the second and third sentences of Rule 6.4(a).

Box No. III Observations where unity of invention is lacking (Continuation of item 3 of first sheet)

This International Searching Authority found multiple inventions in this international application, as follows:

see additional sheet

1. As all required additional search fees were timely paid by the applicant, this international search report covers allsearchable claims.

2. As all searchable claims could be searched without effort justifying an additional fees, this Authority did not invite payment of additional fees.

3. As only some of the required additional search fees were timely paid by the applicant, this international search report covers only those claims for which fees were paid, specifically claims Nos.:
1-45, 57-62

4. No required additional search fees were timely paid by the applicant. Consequently, this international search report is restricted to the invention first mentioned in the claims; it is covered by claims Nos.:

Remark on Protest

- The additional search fees were accompanied by the applicant's protest and, where applicable, the payment of a protest fee.
- The additional search fees were accompanied by the applicant's protest but the applicable protest fee was not paid within the time limit specified in the invitation.
- No protest accompanied the payment of additional search fees.

FURTHER INFORMATION CONTINUED FROM PCT/ISA/ 210

This International Searching Authority found multiple (groups of) inventions in this international application, as follows:

1. claims: 1-9, 21-26, 57-59, 61

Invention I relates to an inflatable cuff comprising as potential special technical features auxiliary portions extending away from a waist portion.

2. claims: 1, 10-20, 27-45, 60, 62

Invention II relates to an inflatable cuff comprising as potential special technical features means for counteracting the force exerted upon closing of the zip fastener.

3. claims: 1, 46-56

Invention III relates to an inflatable cuff comprising as potential special technical feature a non-stretchable bridging element.

INTERNATIONAL SEARCH REPORT

Information on patent family members

International application No PCT/EP2008/065994

Patent document cited in search report	A	Publication date	Patent family member(s)	Publication date
US 3929129	A	30-12-1975	NONE	
GB 854573	A	23-11-1960	NONE	
DE 20305953	U1	28-08-2003	DE 20211853 U1	02-10-2002
EP 1405797	A	07-04-2004	JP 2004123236 A US 2004066983 A1	22-04-2004 08-04-2004
US 4620320	A	28-10-1986	NONE	
GB 2357573	A	27-06-2001	NONE	
US 5014681	A	14-05-1991	NONE	
GB 2039208	A	06-08-1980	NONE	
FR 1595757	A	15-06-1970	NONE	
US 2495316	A	24-01-1950	NONE	