



US00D543936S

(12) **United States Design Patent**  
**Wada**

(10) **Patent No.:** **US D543,936 S**

(45) **Date of Patent:** **\*\* Jun. 5, 2007**

(54) **COMBINED CHARGER AND SPEAKER**

(75) Inventor: **Jo Wada**, Tokyo (JP)

(73) Assignee: **Sony Corporation**, Tokyo (JP)

(\*\*) Term: **14 Years**

(21) Appl. No.: **29/254,681**

(22) Filed: **Feb. 28, 2006**

(30) **Foreign Application Priority Data**

Dec. 8, 2005 (JP) ..... D2005-036236

(51) **LOC (8) Cl.** ..... **13-02**

(52) **U.S. Cl.** ..... **D13/108; D14/168**

(58) **Field of Classification Search** ..... D13/107-110,  
D13/118-119, 184; D14/168, 204, 216, 251,  
D14/253, 432, 434; 320/107-115; 455/573

See application file for complete search history.

(56) **References Cited**

**U.S. PATENT DOCUMENTS**

- D436,943 S \* 1/2001 Hayashi et al. .... D14/168
- D439,218 S \* 3/2001 Yu ..... D13/103
- D442,574 S \* 5/2001 Ishii ..... D14/168
- D459,882 S \* 7/2002 Yuen ..... D3/274
- D471,174 S \* 3/2003 Tsuge ..... D14/168
- D475,966 S \* 6/2003 Chunn et al. .... D13/108

- D476,621 S \* 7/2003 Chunn et al. .... D13/108
- D491,937 S \* 6/2004 Retourne et al. .... D14/356
- D494,962 S \* 8/2004 Shen ..... D14/253
- D502,934 S \* 3/2005 Rose ..... D14/168
- D514,090 S \* 1/2006 Carbone et al. .... D14/214
- D524,244 S \* 7/2006 Hussaini et al. .... D13/108
- D524,287 S \* 7/2006 Hibi ..... D14/168

\* cited by examiner

*Primary Examiner*—Alan P. Douglas

*Assistant Examiner*—Rosemary K. Tarcza

(74) *Attorney, Agent, or Firm*—Rader, Fishman & Grauer PLLC

(57) **CLAIM**

The ornamental design for a combined charger and speaker, as shown.

**DESCRIPTION**

FIG. 1 is a perspective view of a combined charger and speaker showing my new design;  
 FIG. 2 is a front elevational view thereof;  
 FIG. 3 is a rear elevational view thereof;  
 FIG. 4 is a left side elevational view thereof;  
 FIG. 5 is a right side elevational view thereof;  
 FIG. 6 is a top plan view thereof; and,  
 FIG. 7 is a bottom plan view thereof.

**1 Claim, 7 Drawing Sheets**

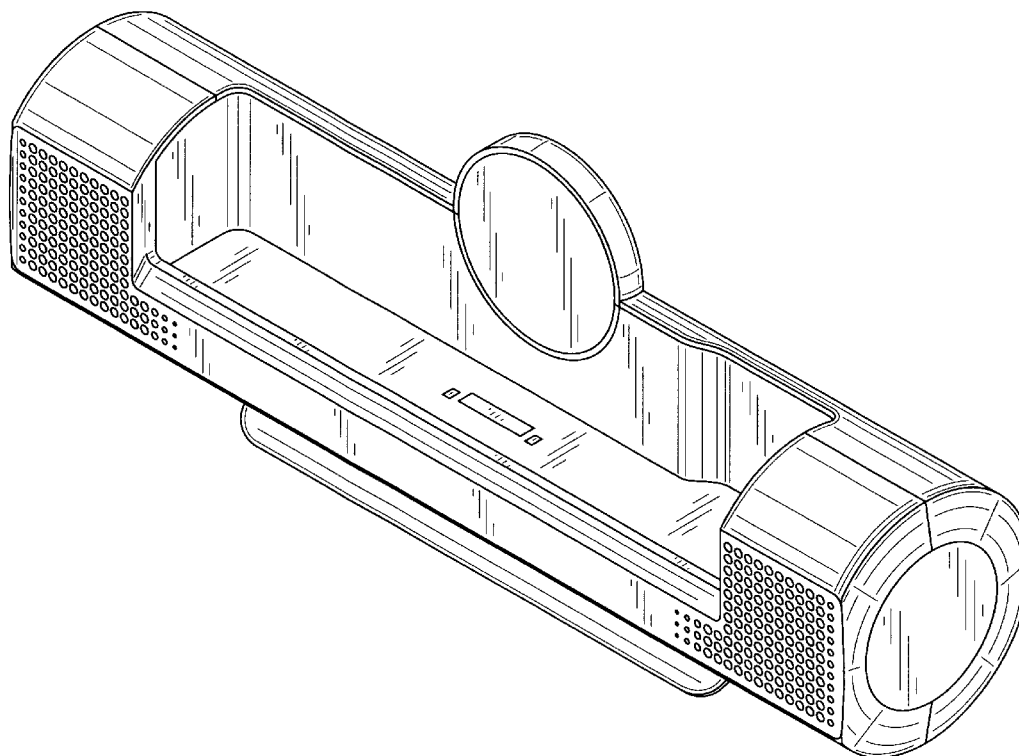


Fig.1

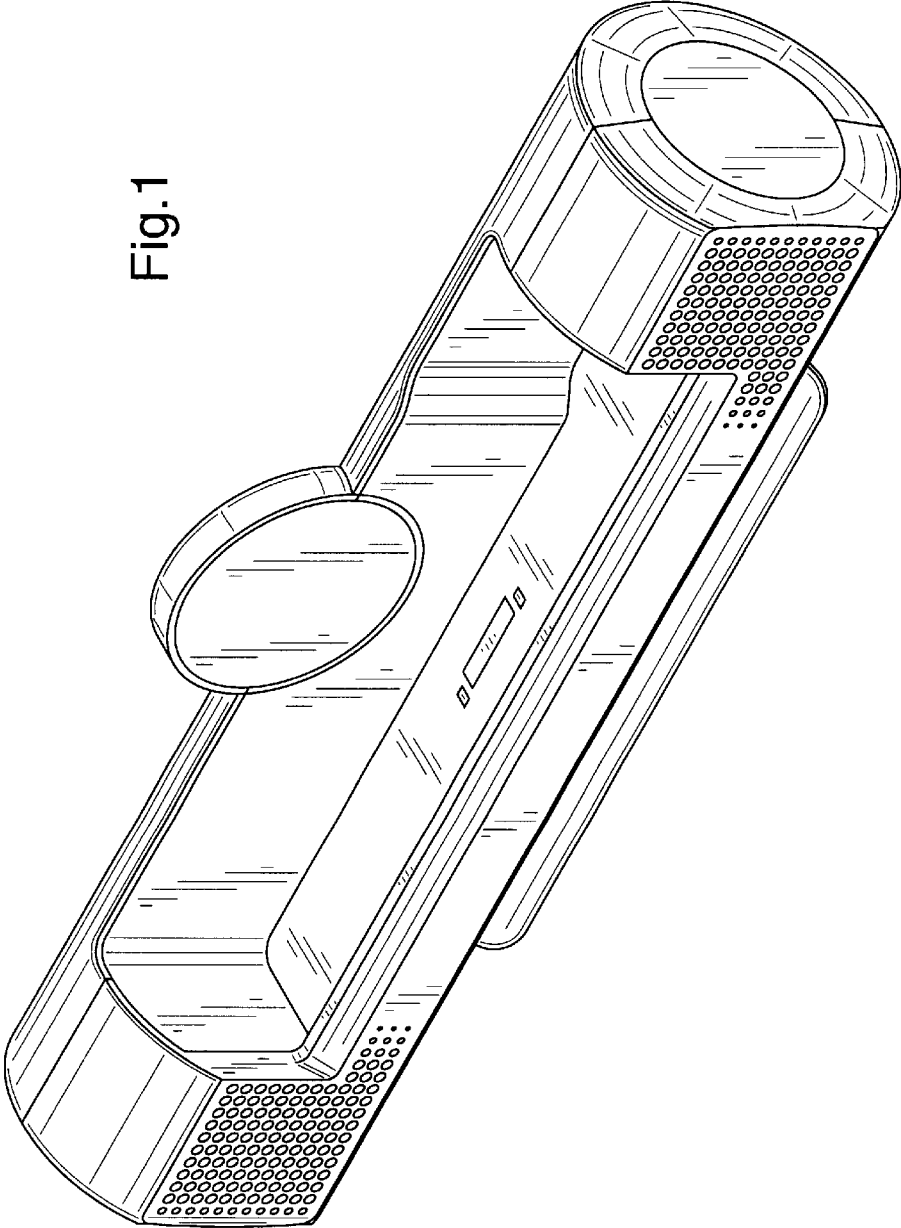


Fig. 2

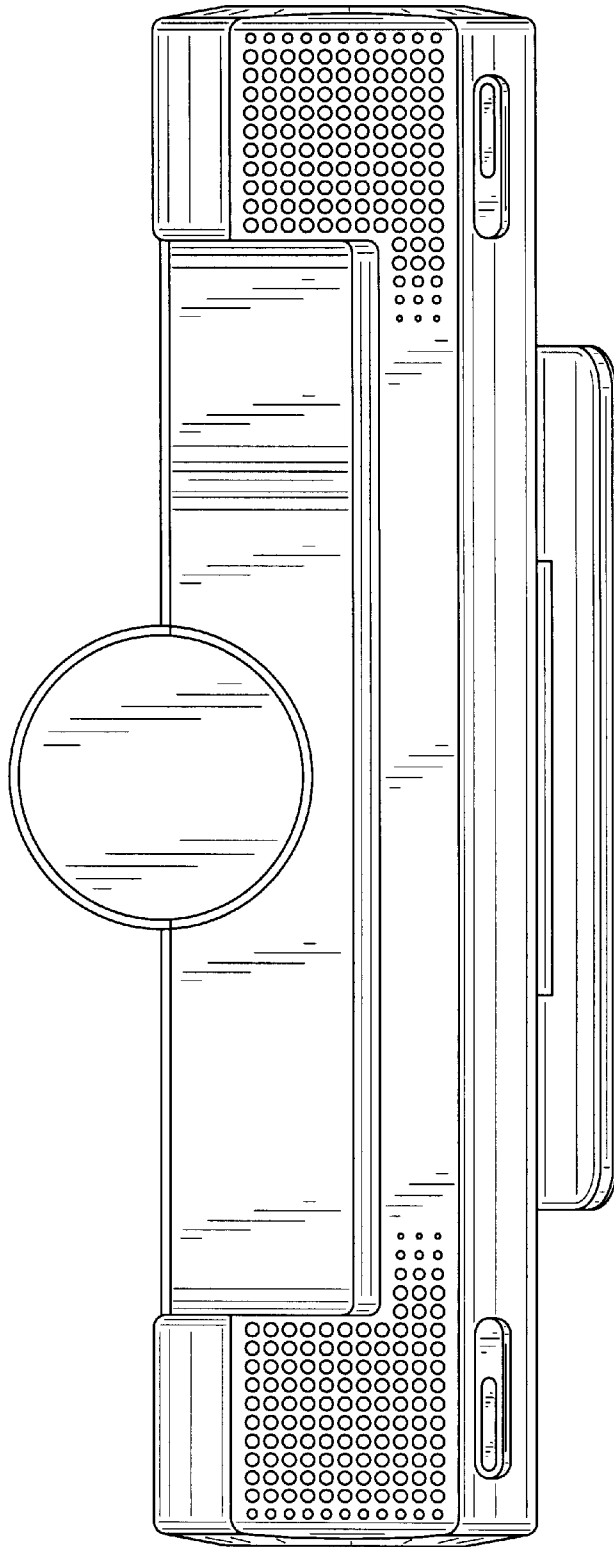


Fig.3

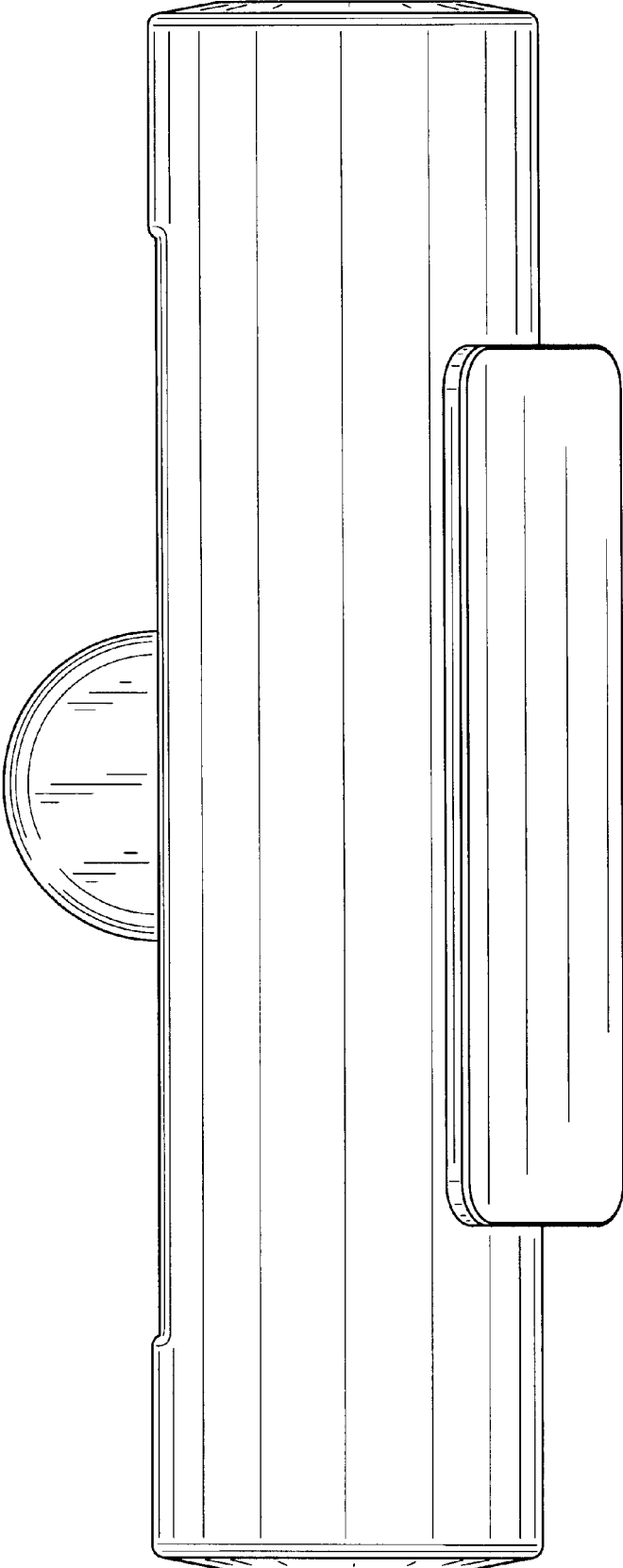


Fig.4

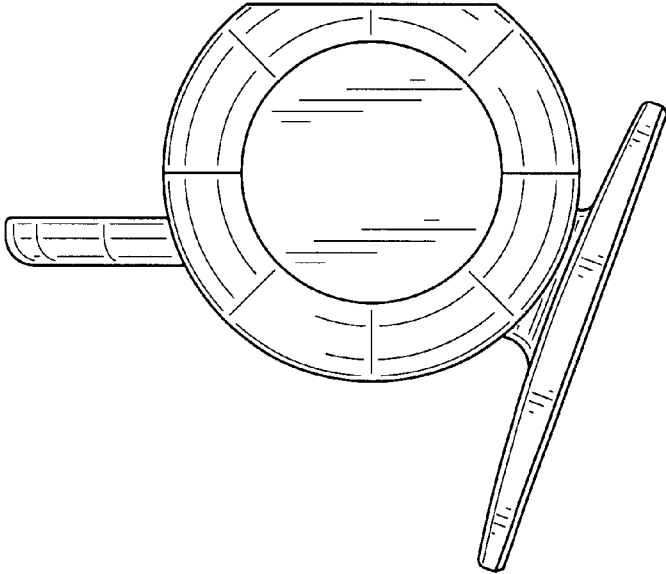


Fig.5

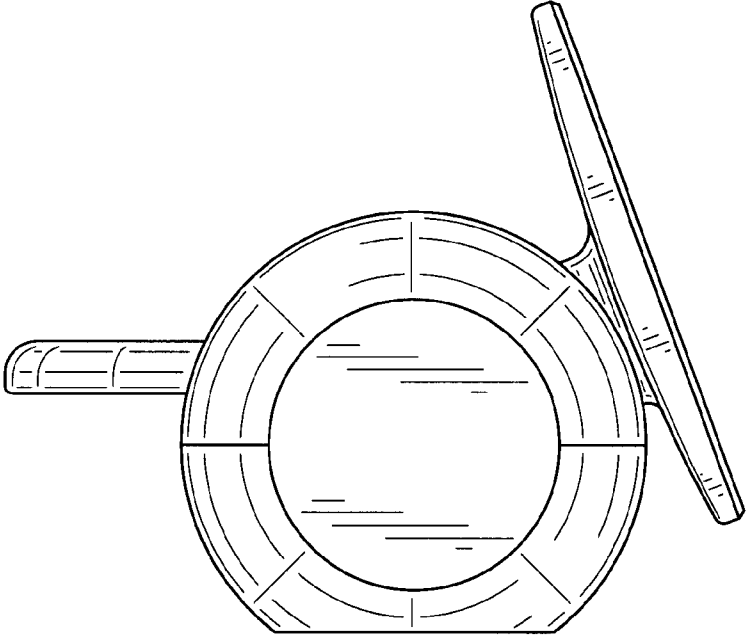


Fig.6

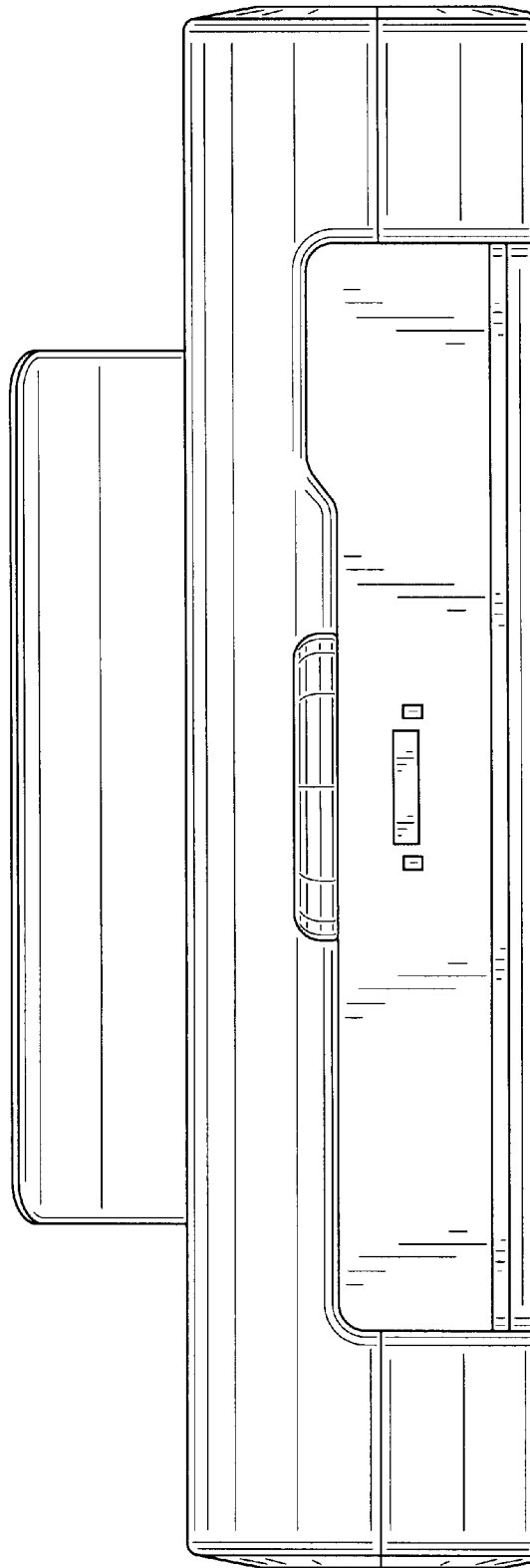


Fig.7

