



US00D748878S

(12) **United States Design Patent**
Dooley et al.

(10) **Patent No.:** **US D748,878 S**

(45) **Date of Patent:** **** Feb. 2, 2016**

(54) **ROBOT**

(71) Applicant: **iRobot Corporation**, Bedford, MA (US)

(72) Inventors: **Michael J. Dooley**, Pasadena, CA (US);
Nikolai Romanov, Oak Park, CA (US)

(73) Assignee: **iRobot Corporation**, Bedford, MA (US)

(**) Term: **14 Years**

(21) Appl. No.: **29/503,411**

(22) Filed: **Sep. 25, 2014**

(51) **LOC (10) Cl.** **15-05**

(52) **U.S. Cl.**
USPC **D32/21**

(58) **Field of Classification Search**

USPC D32/19-21, 25, 31-33; D4/102, 127,
D4/128, 133, 136
CPC A47J 37/0713; A47L 9/2842; A47L
2201/00; A47L 5/30; A47L 5/28; A47L
5/362; A47L 9/04; A46B 13/005; A46B
13/001; A61C 17/26; G06N 3/008; B25J
9/1697; G01S 13/931; B62D 58/032; B62D
57/032; E01H 1/053; E01H 1/02

See application file for complete search history.

(56) **References Cited**

U.S. PATENT DOCUMENTS

D184,968	S	*	4/1959	Sundberg	D32/21
D186,501	S	*	11/1959	Sundberg	D32/21
D195,719	S	*	7/1963	Musichuk	D32/21
D196,831	S	*	11/1963	Musichuk	D32/21
4,516,361	A		5/1985	Gringer		
5,512,010	A		4/1996	Labad		
5,621,291	A		4/1997	Lee		
5,701,630	A		12/1997	Liao		
5,804,942	A		9/1998	Jeong		

5,902,176	A		5/1999	Chen		
6,098,239	A		8/2000	Vosbikian		
6,202,250	B1		3/2001	Kenmochi et al.		
6,296,558	B1		10/2001	Pooler et al.		
6,305,046	B1		10/2001	Kingry et al.		
6,327,741	B1		12/2001	Reed		
6,641,469	B2		11/2003	Deshler		
6,685,547	B2		2/2004	Boman		
6,779,217	B2		8/2004	Fisher		
6,810,305	B2		10/2004	Kirkpatrick		
7,013,528	B2		3/2006	Parker et al.		
7,337,494	B2		3/2008	Baer et al.		
7,346,428	B1		3/2008	Huffman et al.		
7,416,477	B2		8/2008	Henke et al.		
7,451,516	B2		11/2008	Tanaka		
7,488,242	B2		2/2009	Gringer et al.		
7,506,397	B2		3/2009	Tanaka		
7,568,255	B1		8/2009	Krebs		
7,607,192	B2		10/2009	Flora et al.		

(Continued)

Primary Examiner — Ruth McInroy

(74) *Attorney, Agent, or Firm* — Fish & Richardson P.C.

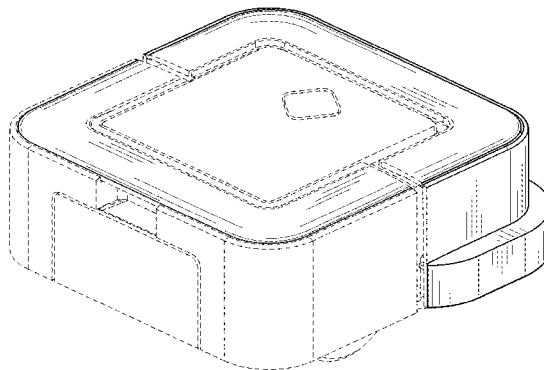
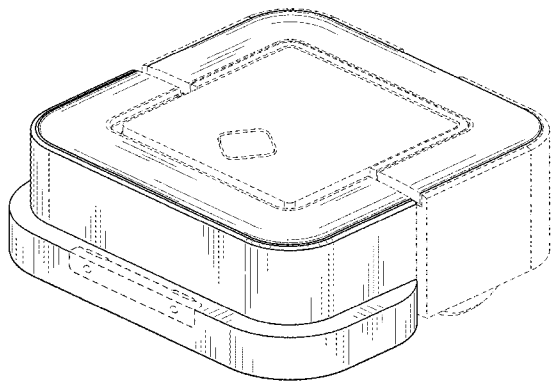
(57) **CLAIM**

We claim the ornamental design for a robot, as shown and described.

DESCRIPTION

FIG. 1 is a front perspective view of our robot.
FIG. 2 is a rear perspective view of our robot.
FIG. 3 is a front view of the robot of FIG. 1.
FIG. 4 is a back view of the robot of FIG. 1.
FIG. 5 is a left side view of the robot of FIG. 1.
FIG. 6 is a right side view of the robot of FIG. 1.
FIG. 7 is a top view of the robot of FIG. 1; and,
FIG. 8 is a bottom view of the robot of FIG. 1.
The broken lines indicate the bounds of the claimed design and form no part thereof.

1 Claim, 4 Drawing Sheets



(56)

References Cited

U.S. PATENT DOCUMENTS

7,670,210 B2 3/2010 Annis
 7,784,139 B2 8/2010 Sawalski et al.
 D625,059 S * 10/2010 Morenstein et al. D32/21
 D625,060 S * 10/2010 Morenstein et al. D32/21
 D625,477 S * 10/2010 Morenstein et al. D32/21
 7,832,048 B2 11/2010 Harwig et al.
 7,895,700 B2 3/2011 Tanaka
 8,469,775 B2 6/2013 Dow et al.
 D709,255 S * 7/2014 Wang et al. D32/21
 D720,510 S * 12/2014 Shin et al. D32/21
 D720,511 S * 12/2014 Shin et al. D32/21
 2002/0002751 A1 1/2002 Fisher
 2002/0011813 A1 1/2002 Koselka et al.
 2002/0152569 A1 10/2002 Zorzo

2002/0175648 A1 11/2002 Erko et al.
 2003/0229421 A1 12/2003 Chmura et al.
 2004/0045126 A1 3/2004 Parker et al.
 2004/0143930 A1 7/2004 Haegermarck
 2005/0278888 A1 12/2005 Reindle et al.
 2006/0085095 A1 4/2006 Reindle et al.
 2006/0293809 A1 12/2006 Harwig et al.
 2007/0214586 A1 9/2007 Mattucci et al.
 2008/0276407 A1 11/2008 Schnittman et al.
 2009/0133720 A1 5/2009 Van Den Bogert
 2009/0281661 A1 11/2009 Dooley et al.
 2010/0009609 A1 1/2010 Dow et al.
 2011/0162157 A1 7/2011 Dooley et al.
 2013/0291319 A1 * 11/2013 Ko 15/3
 2014/0209122 A1 * 7/2014 Jung et al. 134/18
 2014/0366292 A1 * 12/2014 Jung et al. 15/98
 2014/0373302 A1 * 12/2014 Hsu 15/300.1

* cited by examiner

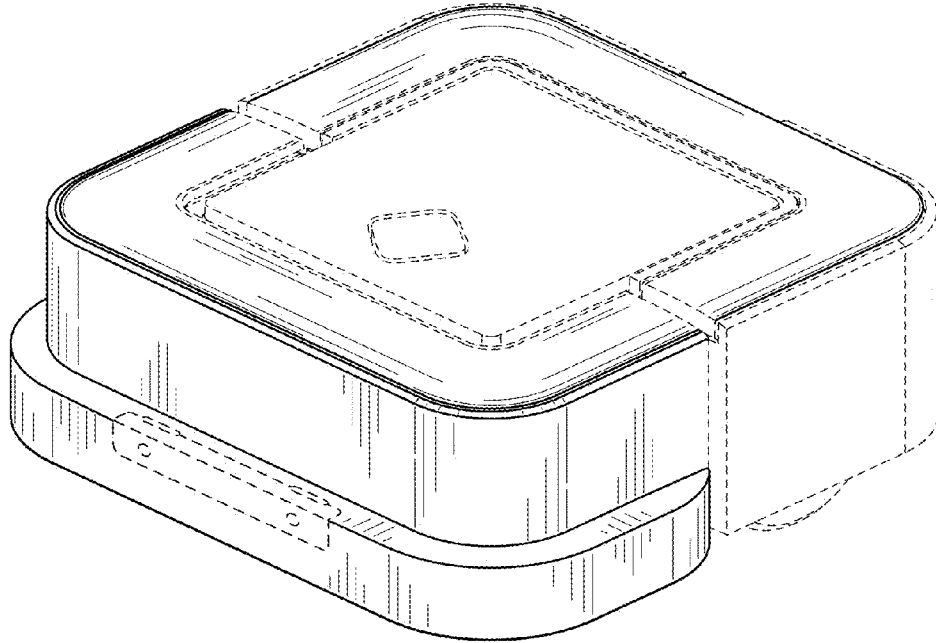


FIG. 1

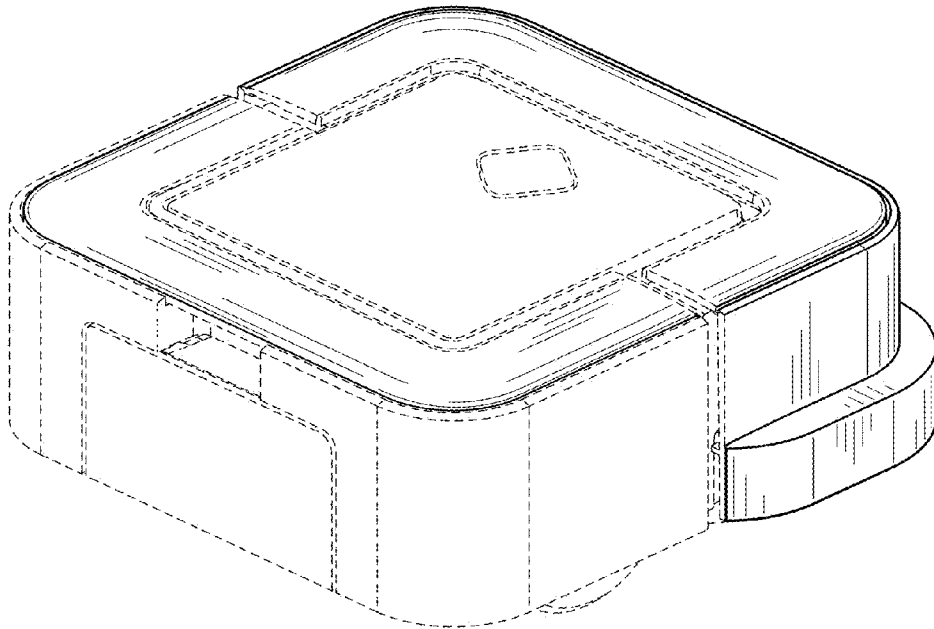


FIG. 2

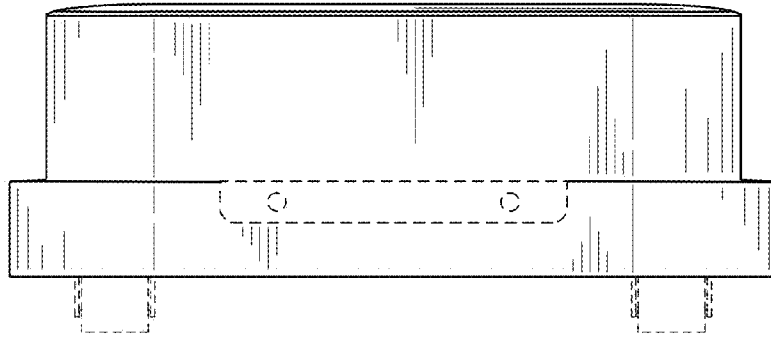


FIG. 3

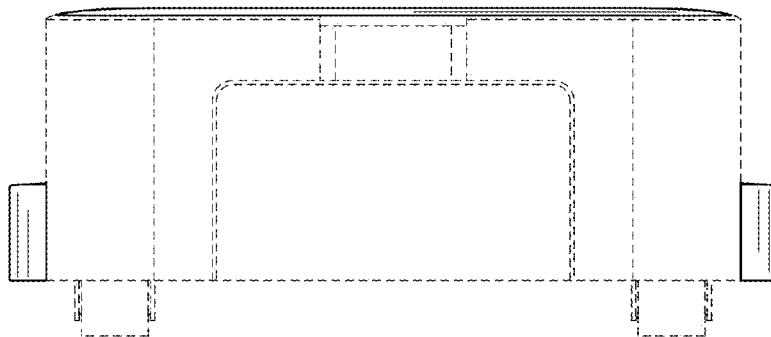


FIG. 4

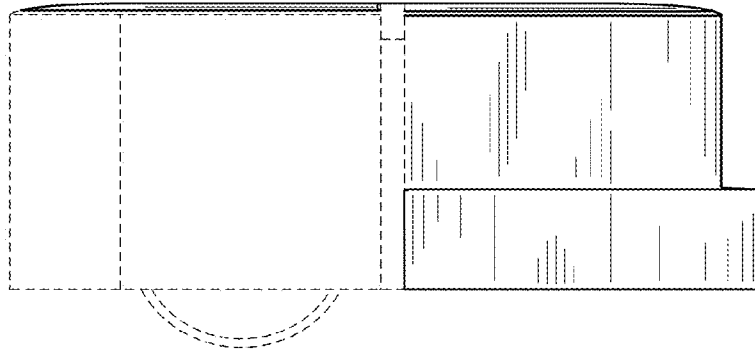


FIG. 5

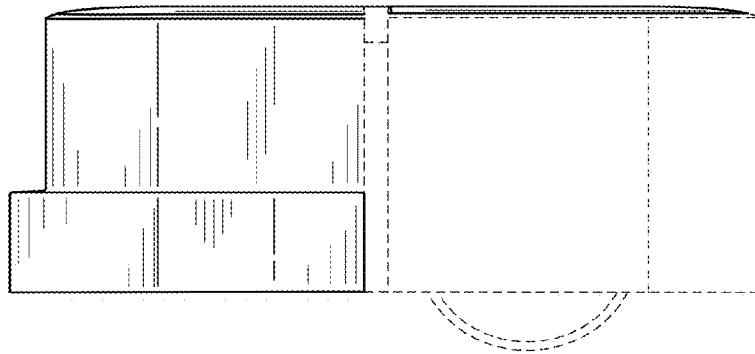


FIG. 6

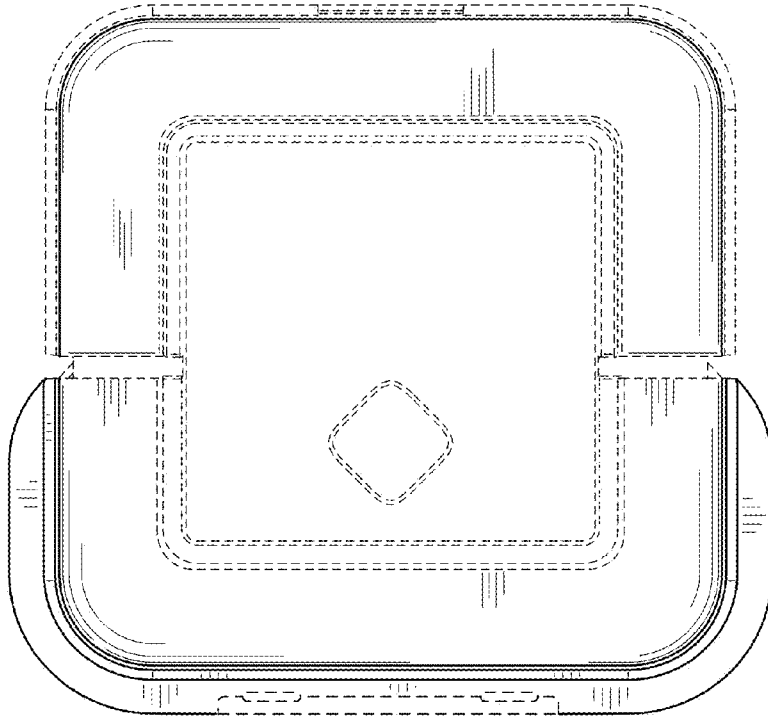


FIG. 7

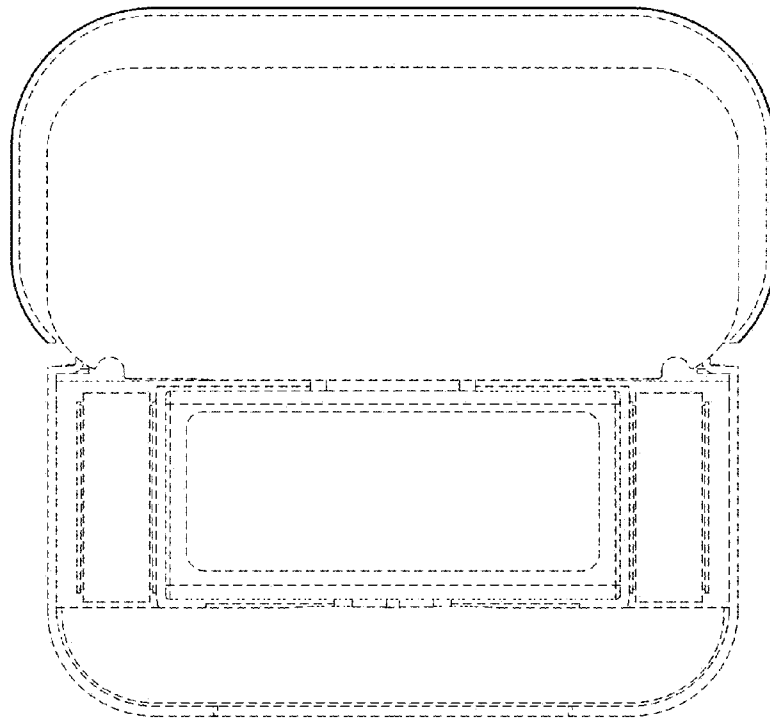


FIG. 8