



(12) **United States Design Patent**
Miller

(10) **Patent No.:** **US D909,184 S**
(45) **Date of Patent:** **** Feb. 2, 2021**

(54) **KAYAK ANCHOR BRACKET**

(71) Applicant: **James Walter Miller**, Milton, WV (US)

(72) Inventor: **James Walter Miller**, Milton, WV (US)

(**) Term: **15 Years**

(21) Appl. No.: **29/684,798**

(22) Filed: **Mar. 25, 2019**

(51) **LOC (13) Cl.** **08-05**

(52) **U.S. Cl.** **D8/354**
USPC

(58) **Field of Classification Search**
USPC D8/354

CPC .. F16B 2/005; F16B 2/10; F16B 2/185; A47B 45/00; A47B 81/00; B63B 21/22
See application file for complete search history.

(56) **References Cited**

U.S. PATENT DOCUMENTS

5,242,147	A *	9/1993	Kemeny	F16F 7/08	248/635
D344,446	S *	2/1994	Egigian	D8/356	
5,490,356	A *	2/1996	Kemeny	E04H 9/022	248/632
D396,403	S *	7/1998	Whittaker	D8/354	
D587,097	S *	2/2009	Smith	D8/354	
D861,465	S *	10/2019	Haider	D8/354	
2003/0051958	A1 *	3/2003	Esche	F16F 7/108	188/379
2003/0071187	A1 *	4/2003	Herren	F16F 15/0275	248/638

OTHER PUBLICATIONS

Anchor Bracket, posted at amazon.com, posting date not given, [online], [site visited Aug. 26, 2020]. Available from Internet, URL:

<https://www.amazon.com/WINDLINE-MARINE-STANCHION-ANCHOR-BRACKET/dp/B001446Y24> (Year: 2020).*
Brocraft Canoe Anchor Lock System, posted at amazon.com, posting date not given, [online], [site visited Aug. 26, 2020]. Available from Internet, URL: <https://www.amazon.com/Brocraft-Kayak-Anchor-System-Removable/dp/B07BVNMT15?th=1> (Year: 2020).*
Kayak Anchor Mount, posted at outdoorplay.com, posting date not given, [online], [site visited Aug. 26, 2020]. Available from Internet, URL: <https://www.outdoorplay.com/Anchor-Mount> (Year: 2020).*

* cited by examiner

Primary Examiner — George D. Kirschbaum

Assistant Examiner — Maria J. Edwards

(74) *Attorney, Agent, or Firm* — Dinsmore & Shohl LLP; Monika L'Orsa Jaensson, Esq.

(57) **CLAIM**

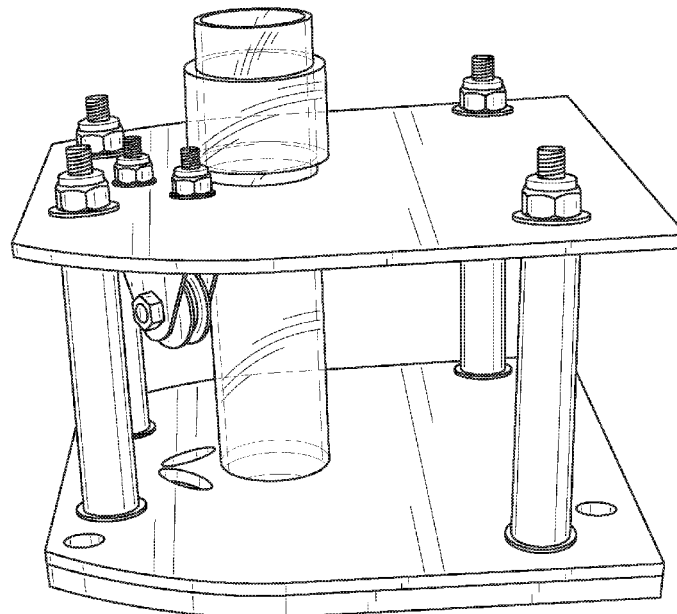
The ornamental design for a kayak anchor bracket, as shown and described.

DESCRIPTION

FIG. 1 is a perspective view of a kayak anchor bracket; FIG. 2 is a front view thereof; FIG. 3 is a back view thereof; FIG. 4 is a right side view thereof; FIG. 5 is a left side view thereof; FIG. 6 is a top view thereof; FIG. 7 is a bottom view thereof; and, FIG. 8 is a perspective view thereof as positioned on a kayak.

The broken lines showing a kayak illustrate environment and form no part of the claimed design. Further, the broken lines showing portions of the article form no part of the claimed design.

1 Claim, 8 Drawing Sheets



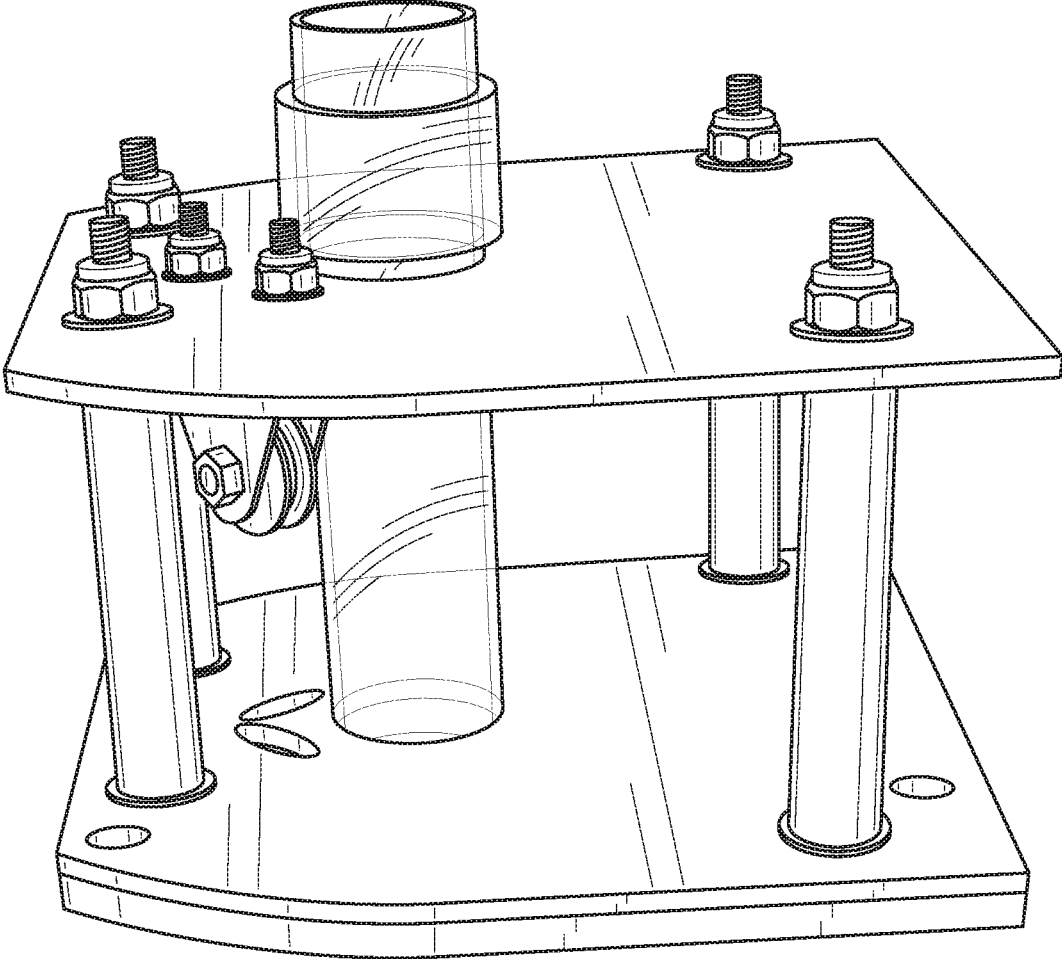


FIG. 1

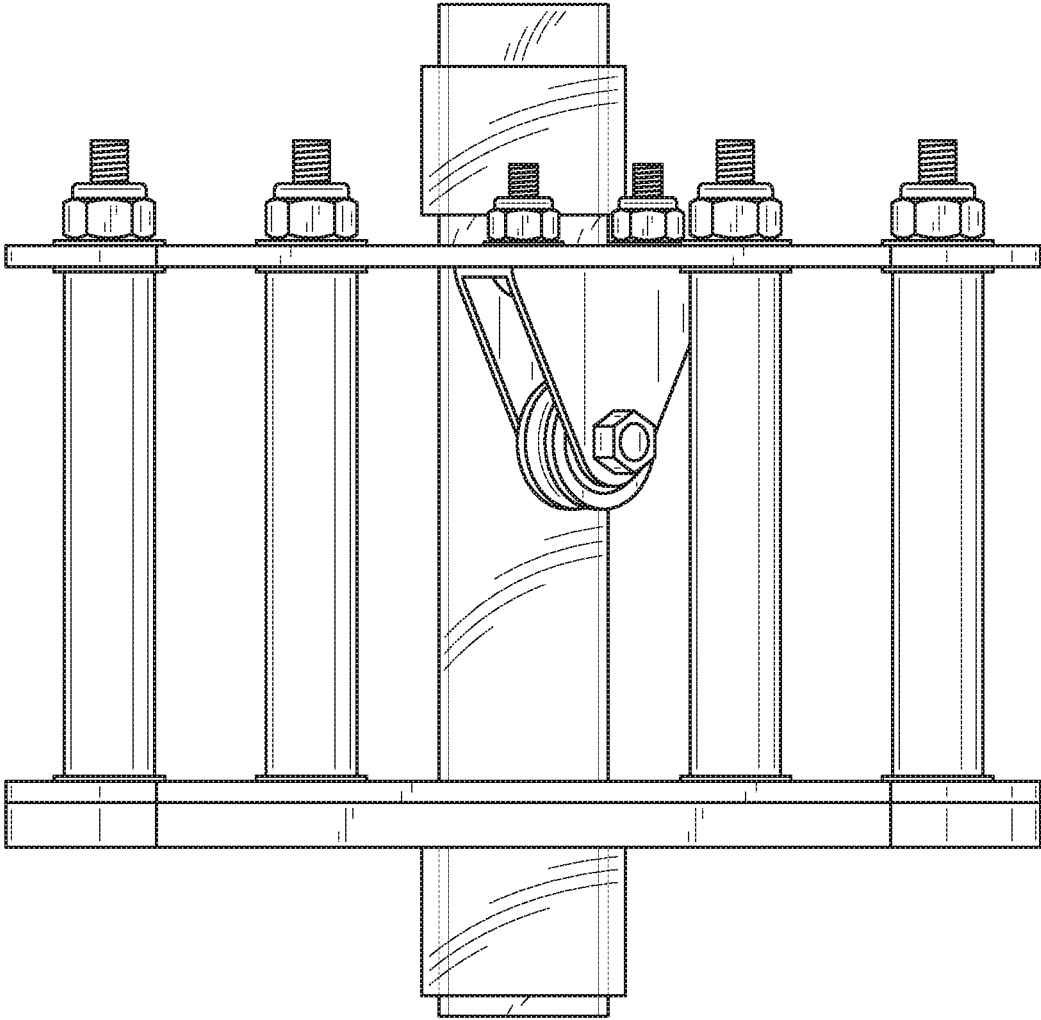


FIG. 2

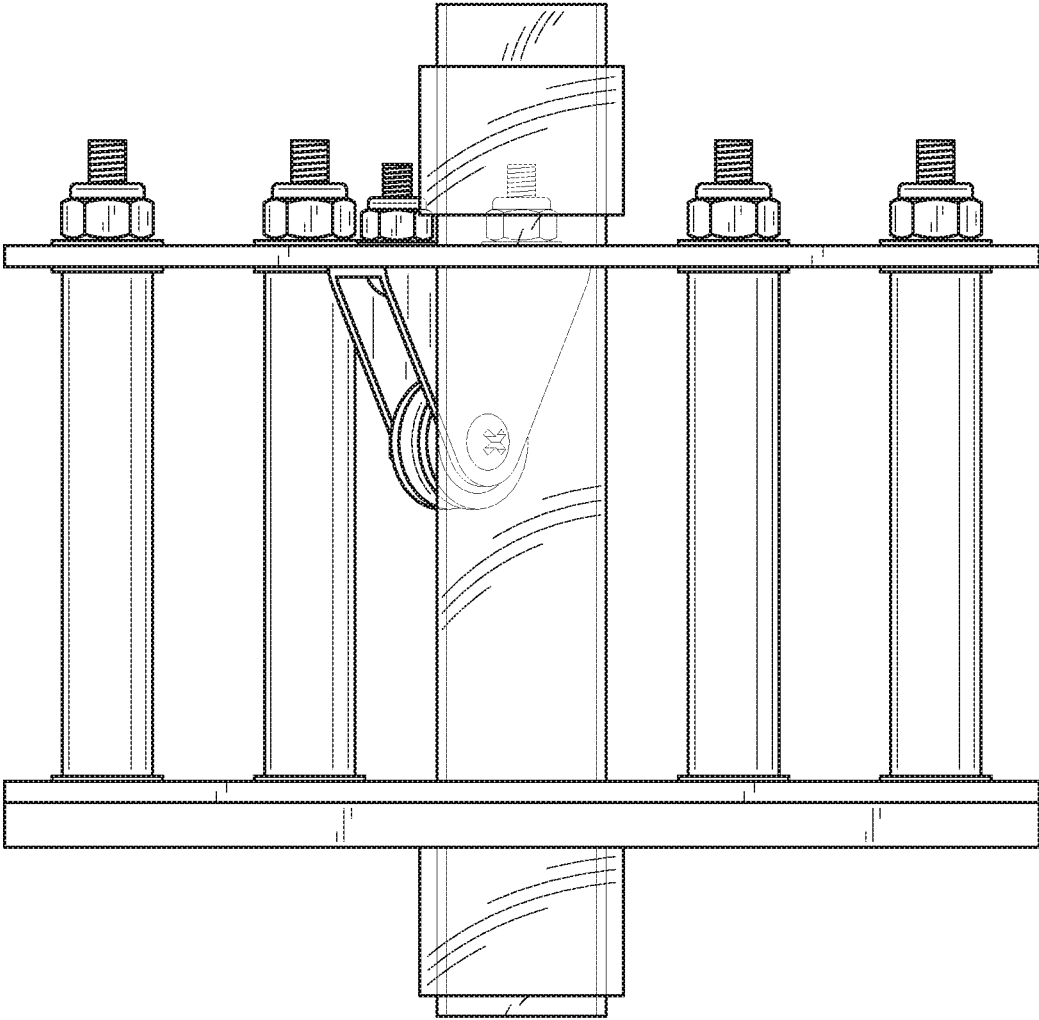


FIG. 3

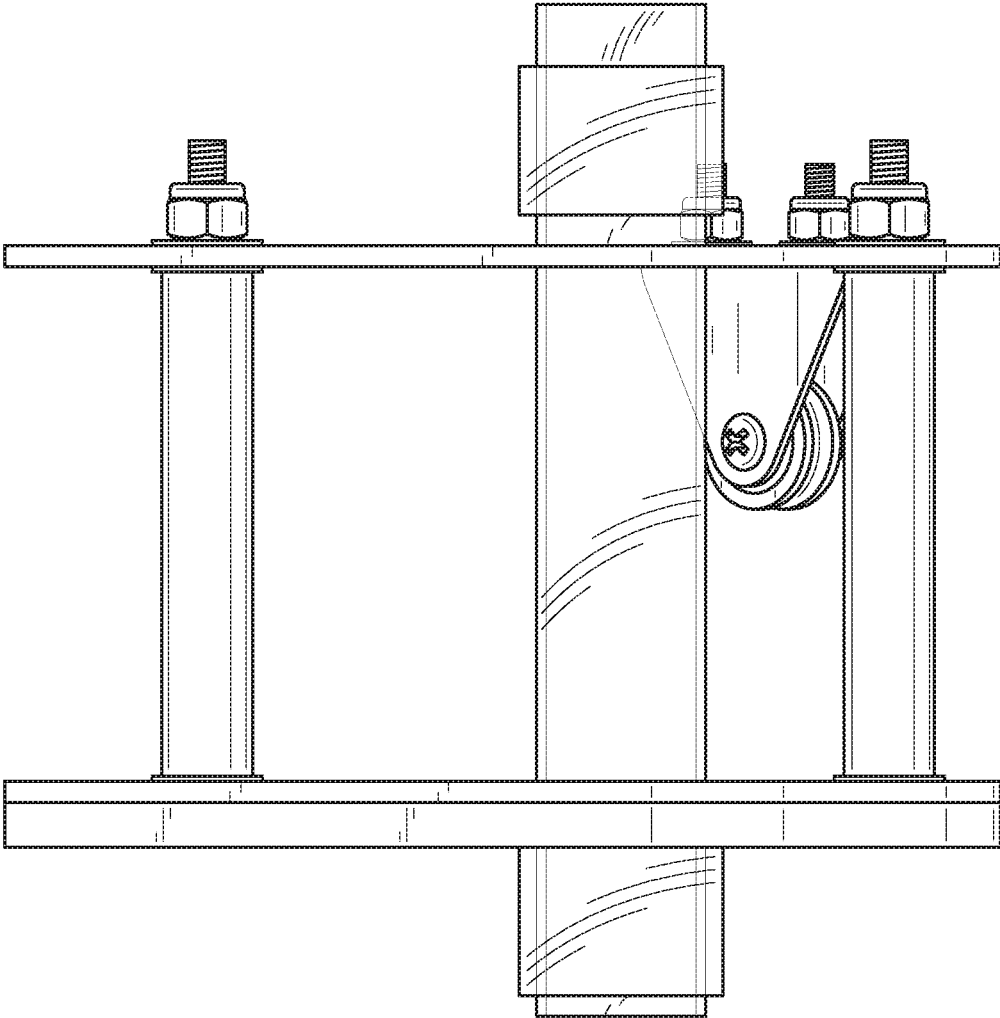


FIG. 4

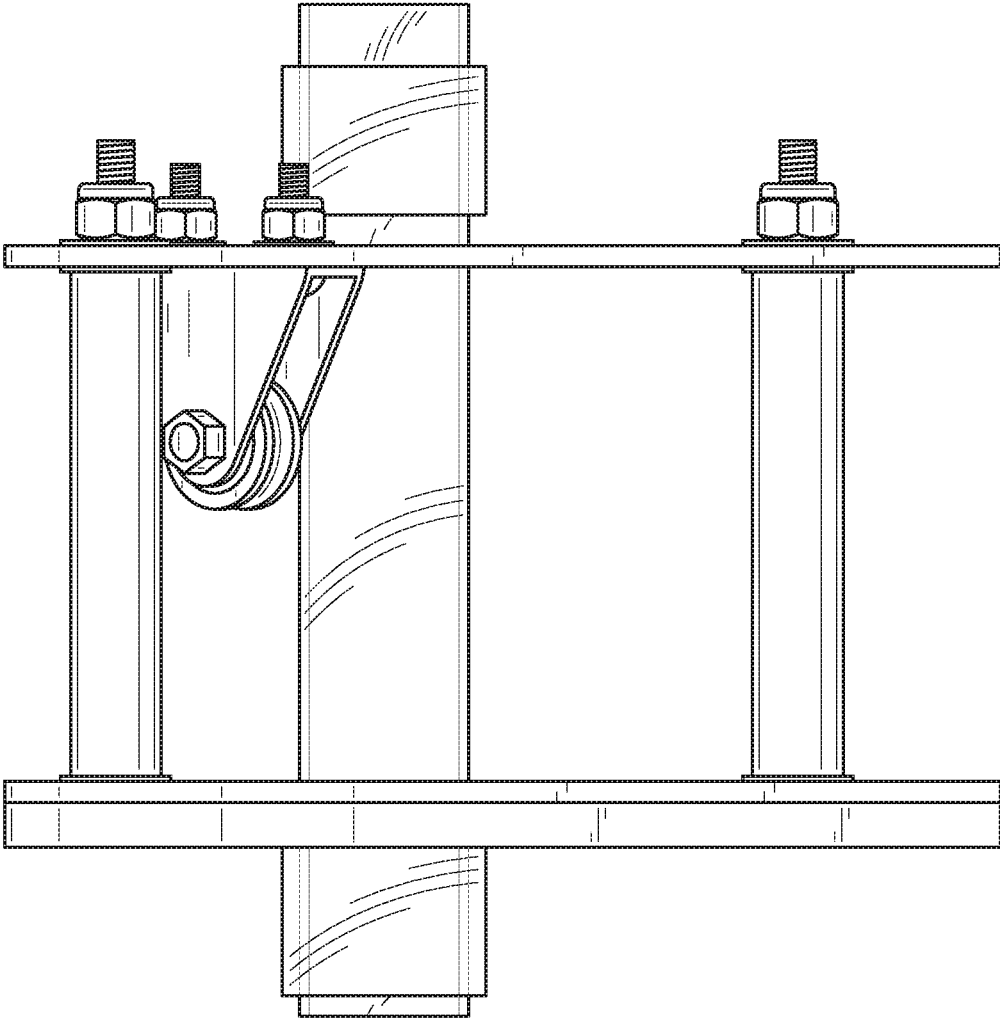


FIG. 5

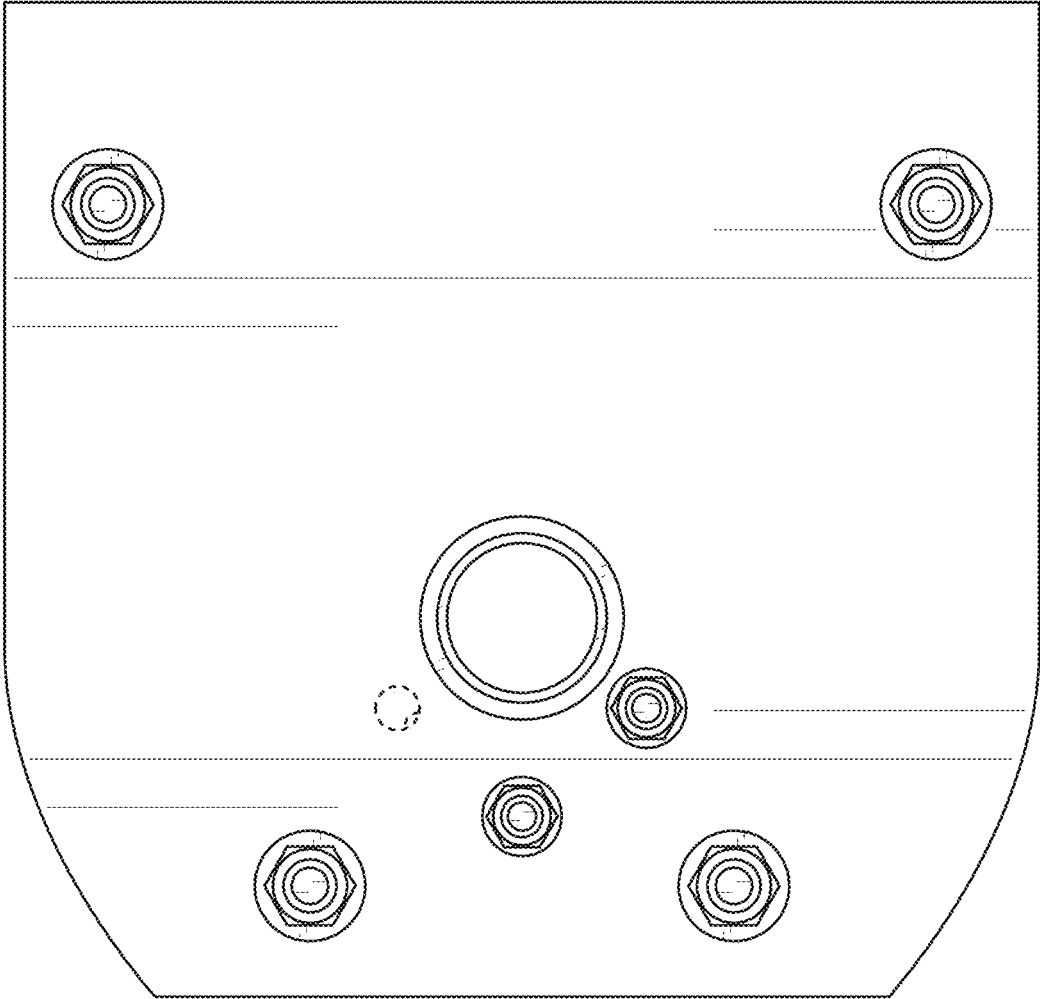


FIG. 6

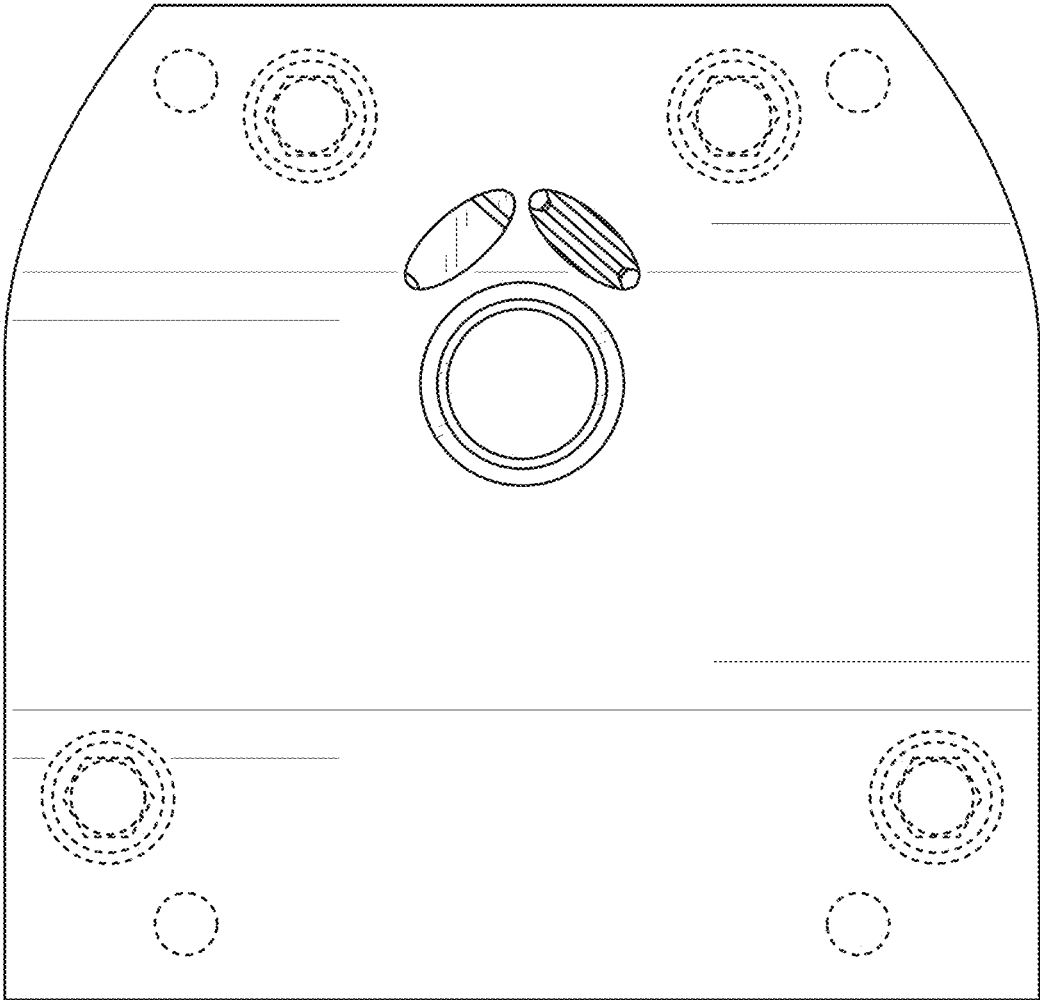


FIG. 7

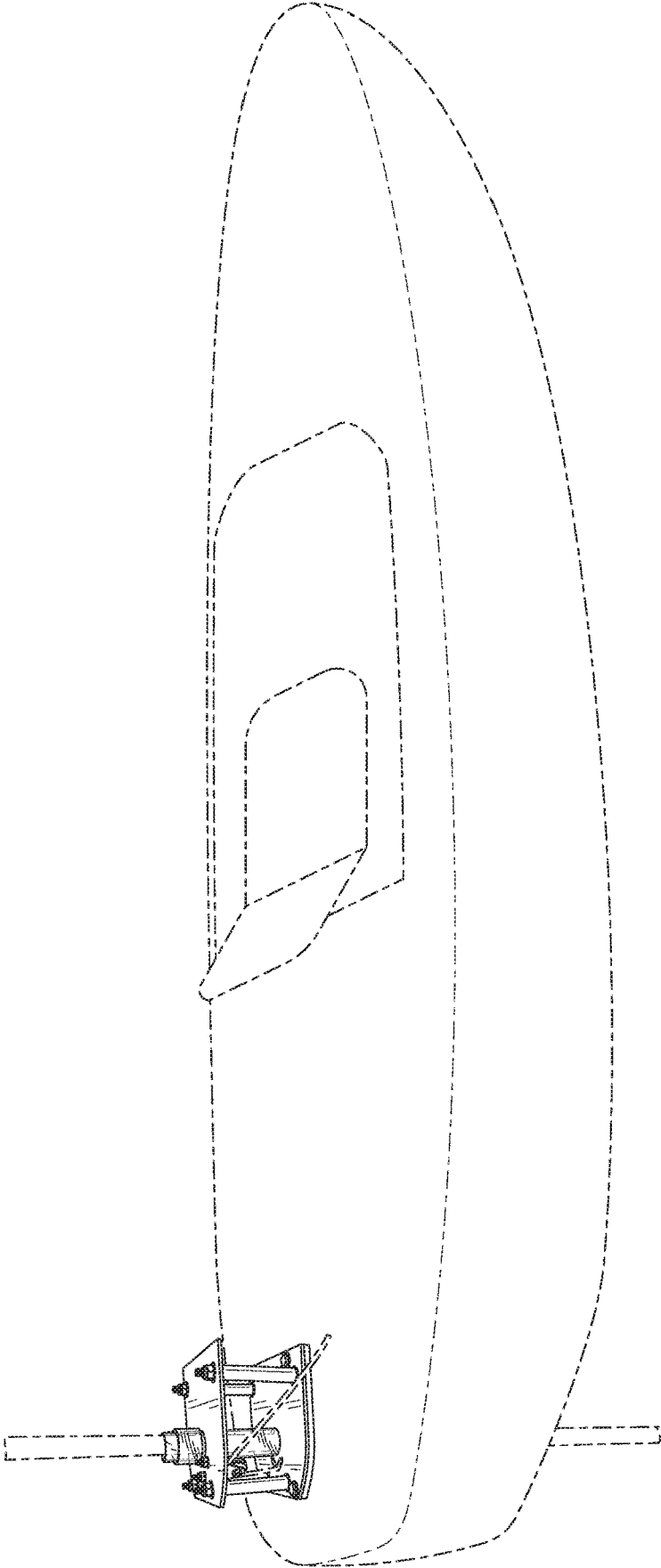


FIG. 8