

[54] FOOD PROCESSING ATTACHMENT FOR A KITCHEN MACHINE

[75] Inventor: Helmut Kaiser, Wolfratshausen, Fed. Rep. of Germany

[73] Assignee: Bosch-Siemens Hausgeräte GmbH, Munich, Fed. Rep. of Germany

[**] Term: 14 Years

[21] Appl. No.: 84,494

[22] Filed: Aug. 10, 1987

[30] Foreign Application Priority Data

Feb. 9, 1987 [DE] Fed. Rep. of Germany ... MR 17061

[52] U.S. Cl. D7/412; D7/384; D7/413

[58] Field of Search D7/48, 49, 368, 372, D7/373, 374, 378, 381, 383, 384, 412, 413, 414, 415, 379

[56] References Cited

U.S. PATENT DOCUMENTS

- D. 297,901 10/1988 Barrault D7/384
- D. 298,204 10/1988 Mikami D7/378 X
- D. 301,297 5/1989 Barrault D7/378 X

OTHER PUBLICATIONS

Housewares, 10/21-27/1985, p. 33, lower right corner,

"Regal" advertisement, first attachment-blender top left corner of photo.

Primary Examiner—Winifred E. Herrmann
Assistant Examiner—John Warchol
Attorney, Agent, or Firm—Herbert L. Lerner; Laurence A. Greenberg

[57] CLAIM

The ornamental design for a food processing attachment for a kitchen machine, as shown and described.

DESCRIPTION

FIG. 1 is a top and left side perspective view of a food processing attachment for a kitchen machine showing my new design; FIG. 2 is a bottom plan view thereof on a larger scale; FIG. 3 is a top plan view thereof on a larger scale; FIG. 4 is a front elevational view thereof on a larger scale; FIG. 5 is a rear elevational view thereof on a larger scale; and FIG. 6 is a right side elevational view thereof on a larger scale, the left side being a mirror image thereof. The broken line showing of a kitchen machine in FIG. 1 is illustrative of environmental structure only and forms no part of the claimed design.

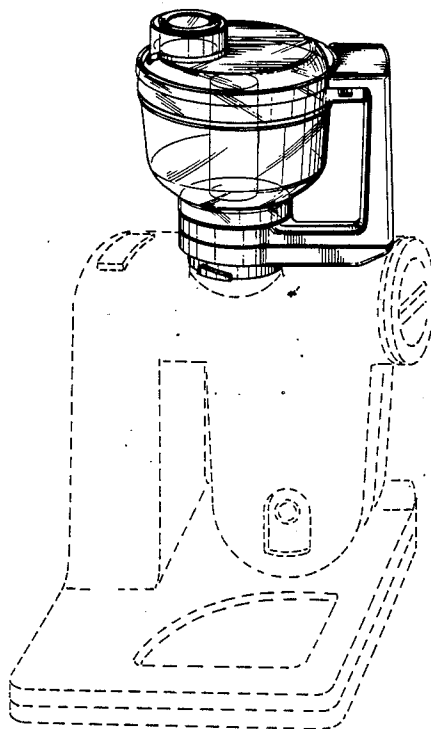


FIG. 1

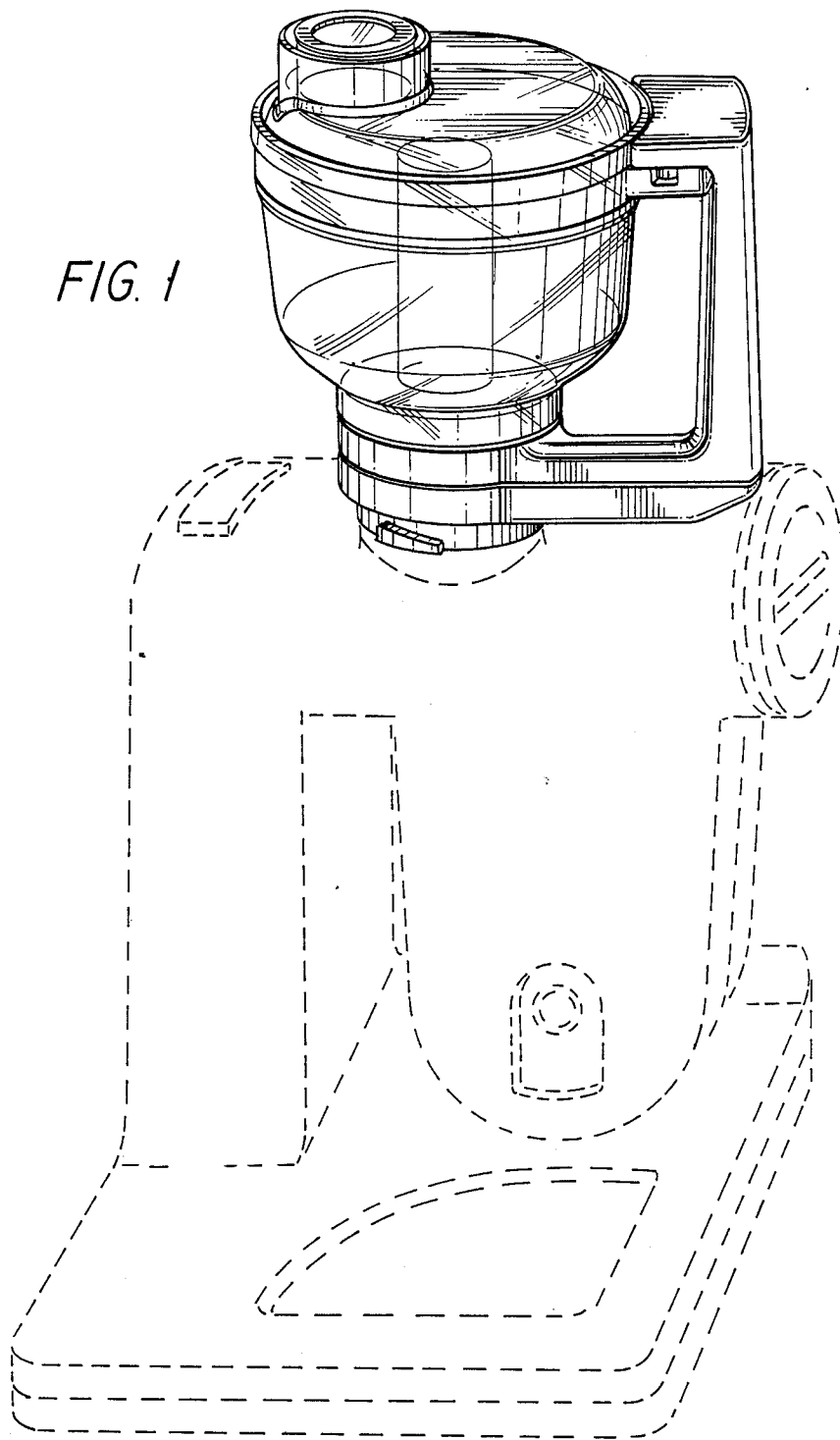


FIG. 2

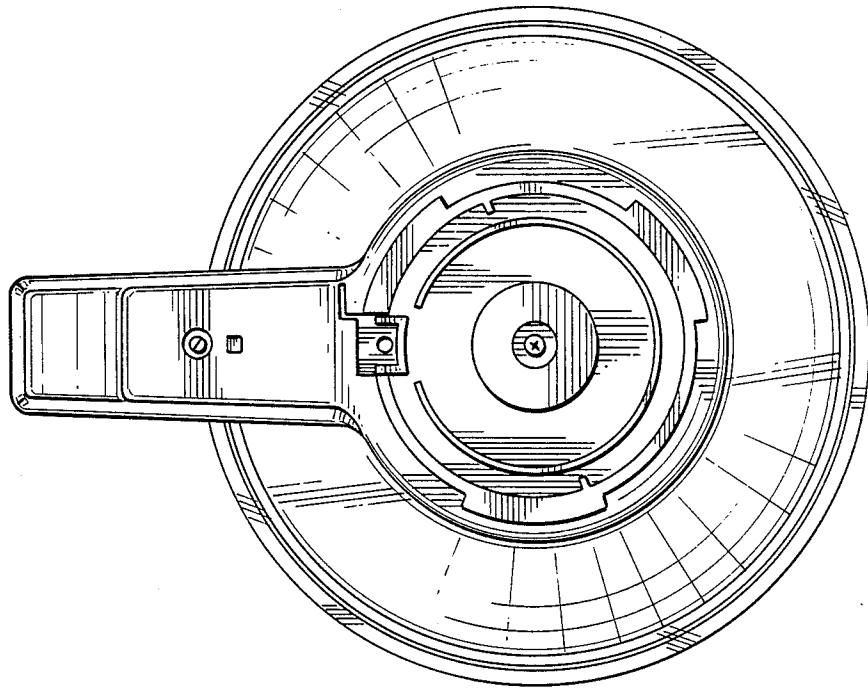


FIG. 3

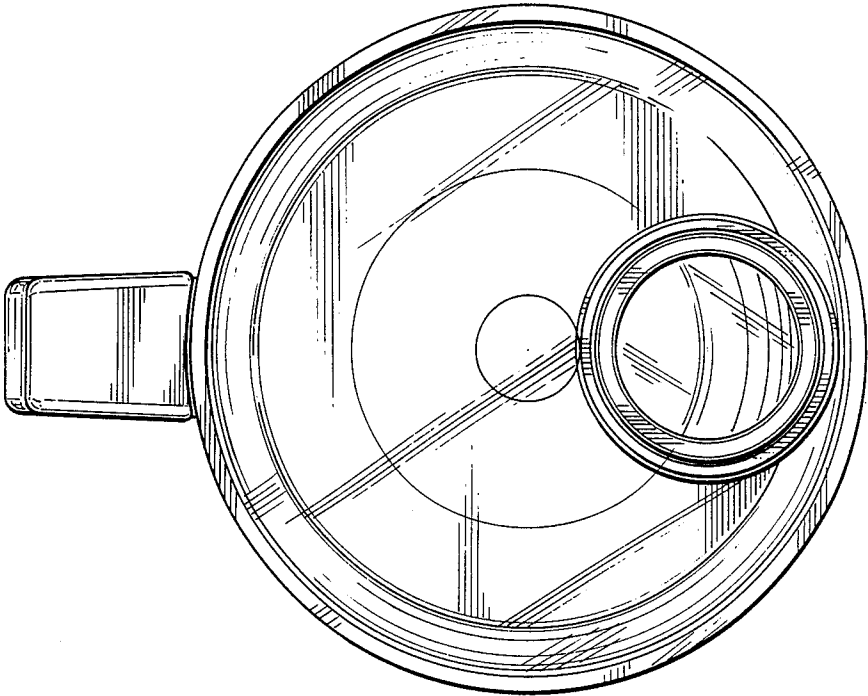


FIG. 4

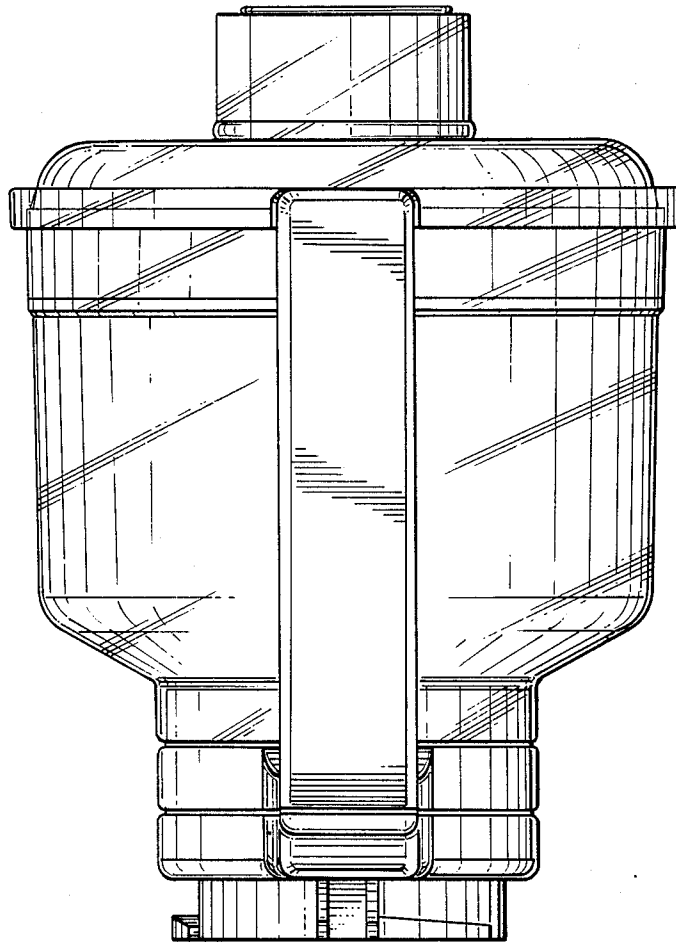


FIG. 5

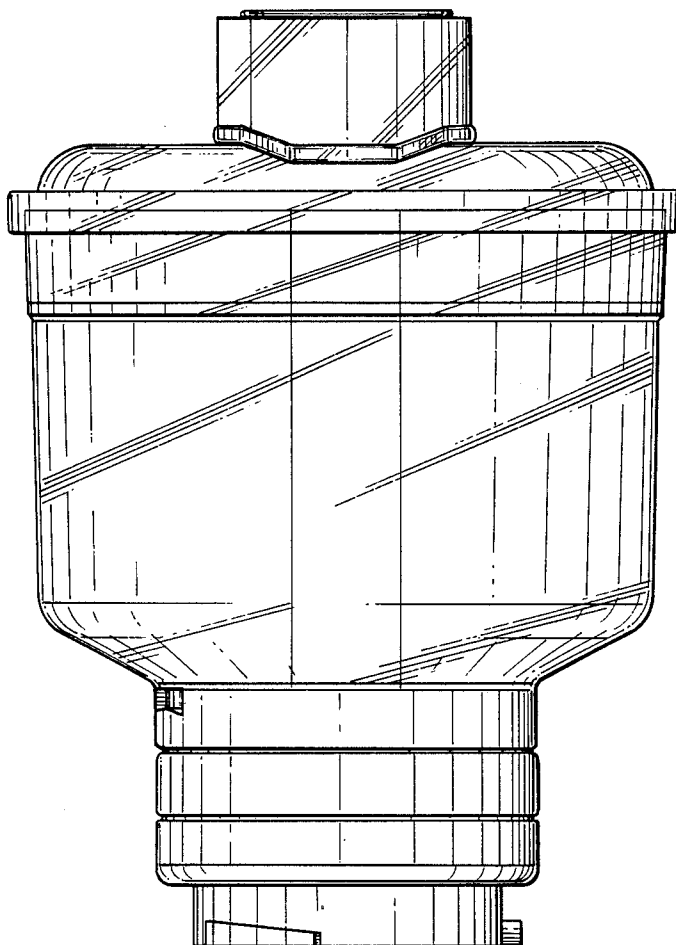


FIG. 6

