



US00D852289S

(12) **United States Design Patent**
Jones et al.

(10) **Patent No.:** **US D852,289 S**
(45) **Date of Patent:** **** Jun. 25, 2019**

- (54) **EXERCISE BAR**
- (71) Applicant: **Coulter Ventures LLC**
- (72) Inventors: **Ahmik Jones**, Upper Arlington, OH (US); **James Carmichael**, Columbus, OH (US)
- (73) Assignee: **Coulter Ventures, LLC**, Columbus, OH (US)
- (**) Term: **15 Years**
- (21) Appl. No.: **29/643,308**
- (22) Filed: **Apr. 6, 2018**
- (51) **LOC (11) Cl.** **21-02**
- (52) **U.S. Cl.**
USPC **D21/679**
- (58) **Field of Classification Search**
USPC D6/656.1, 552, 549, 548; D21/827, 826, D21/797, 694, 691, 690, 686, 679, 673, D21/665, 662; 482/96, 95, 94, 93, 92, 482/87, 8, 77, 41, 40, 38, 36, 35, 2, 148, 482/147, 144, 142, 141, 140, 135, 133, 482/132, 130, 128, 104, 101; 472/136, 472/118
CPC A63B 21/4035; A63B 21/0552; A63B 23/0211; A63B 2210/50; A63B 21/4047; A63B 23/12; A63B 21/154; A63B 2208/0204; A63B 23/1236; A63B 21/00047; A63B 23/1218; A63B 23/1227; A63B 21/068; A63B 1/00
See application file for complete search history.

- D212,193 S * 9/1968 Rudy D21/539
 - 3,857,561 A * 12/1974 Cecchetti A63B 21/00047
482/142
 - D265,575 S * 7/1982 Lunford D21/691
- (Continued)

OTHER PUBLICATIONS

Product listing for Rogue Rig Mount Parallel Bars from <https://web.archive.org/web/20170417164647/https://www.roguefitness.com/rogue-rig-mount-parallel-bars>, dated Apr. 17, 2017.

(Continued)

Primary Examiner — Philip S Hyder
Assistant Examiner — Ryan Harvey
(74) *Attorney, Agent, or Firm* — Banner & Witcoff, Ltd.

(57) **CLAIM**

The ornamental design for an exercise bar, as shown and described.

DESCRIPTION

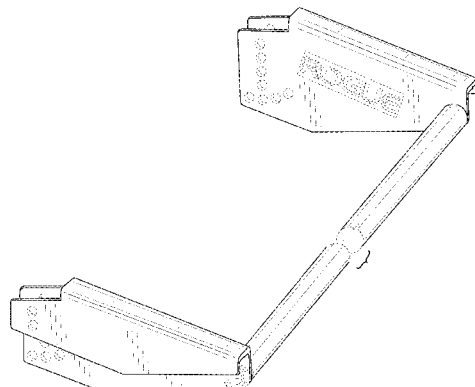
FIG. 1 is a top, front, left perspective view of an exercise bar showing our new design;
FIG. 2 is a top view thereof;
FIG. 3 is a bottom view thereof;
FIG. 4 is a left side view thereof;
FIG. 5 is a right side view thereof;
FIG. 6 is a front view thereof;
FIG. 7 is a rear view thereof;
FIG. 8 is a bottom, front, left perspective view thereof; and, FIG. 9 is a bottom, rear, left perspective view thereof.
The broken lines showing the circular regions and the areas therein represent features that form no part of the claimed design. The broken lines depicting the remainder of the exercise bar show features that form no part of the claimed design. The exercise bar is shown with a symbolic break in its length. The appearance of any portion of the article between the break lines forms no part of the claimed design.

1 Claim, 9 Drawing Sheets

(56) **References Cited**

U.S. PATENT DOCUMENTS

- 2,673,737 A * 3/1954 Daniels A63B 21/00072
482/130
- 3,006,643 A * 10/1961 Ryan A61G 13/009
273/DIG. 6



(56)

References Cited

U.S. PATENT DOCUMENTS

- 4,369,966 A * 1/1983 Silberman A63B 21/154
482/104
- 4,461,287 A * 7/1984 Takahashi A61H 1/0218
482/144
- D280,922 S * 10/1985 Sieder D21/690
- 4,638,995 A * 1/1987 Wilson A63B 21/0004
297/452.13
- 4,666,154 A * 5/1987 Lipscomb A63B 21/00047
482/142
- 4,753,438 A * 6/1988 Paris A61H 1/0218
482/144
- D298,959 S * 12/1988 DeGalvez D21/691
- D300,157 S * 3/1989 Yates D21/690
- 4,923,194 A * 5/1990 Montgomery ... A63B 21/00047
482/141
- D320,823 S * 10/1991 Tanner D21/686
- D320,824 S * 10/1991 Cordon D21/690
- 5,082,260 A * 1/1992 Dinelli A63B 21/078
482/104
- D324,708 S * 3/1992 Walsh D21/691
- 5,221,246 A * 6/1993 Torii A63B 21/00047
482/121
- 5,876,311 A * 3/1999 Coates A47C 3/0252
297/274
- 6,422,982 B1 * 7/2002 Retel A61H 1/0218
482/143
- 6,692,417 B2 * 2/2004 Burrell A63B 21/00047
482/141
- D503,757 S * 4/2005 Sjurdagardi D21/686
- 7,125,371 B2 * 10/2006 Henderson A63B 21/068
482/142
- 7,144,353 B2 * 12/2006 Sjuragari A63B 21/00047
482/142
- 7,534,200 B1 * 5/2009 Martinez A63B 21/00047
482/142
- 7,651,449 B1 * 1/2010 Balentine A63B 21/00047
248/163.1
- 7,662,067 B2 * 2/2010 Payne A63B 21/00047
482/140
- D613,804 S * 4/2010 Perez D21/691
- D617,400 S * 6/2010 Hetzel D21/691
- D633,962 S * 3/2011 Stacey D21/691
- 8,021,273 B2 * 9/2011 Kopp A63B 1/00
297/281
- D666,259 S * 8/2012 Garcia D21/686
- D686,287 S * 7/2013 Boatwright D21/686
- 9,095,742 B2 * 8/2015 Henniger A63B 21/0724
- D752,161 S * 3/2016 Wartenbergh D21/691
- 9,327,153 B2 * 5/2016 Wallisch A63B 3/00
- 9,517,382 B2 * 12/2016 Payne A63B 23/1236
- 2002/0082145 A1 * 6/2002 Hamilton A63B 3/00
482/38
- 2005/0187083 A1 * 8/2005 Krystoff A63B 21/00047
482/140
- 2009/0124471 A1 * 5/2009 Storch A63B 21/00047
482/141
- 2010/0152007 A1 * 6/2010 Le A63B 26/003
482/148
- 2013/0324383 A1 * 12/2013 Rogers A63B 26/00
482/142
- 2015/0014212 A1 * 1/2015 Beaver A63B 23/0458
206/579
- 2015/0290488 A1 * 10/2015 Hopperstad A63B 21/078
482/38
- 2016/0129302 A1 * 5/2016 Vallo A61H 15/00
482/132
- 2017/0209733 A1 * 7/2017 Beaver A63B 21/169
- 2018/0326250 A1 * 11/2018 Henniger A63B 21/068

OTHER PUBLICATIONS

Photos of Rogue Rig Mount Parallel Bars from <https://web.archive.org/web/20170417164647/https://www.roguefitness.com/rogue-rig-mount-parallel-bars>, dated Apr. 17, 2017.

Product listing for Rogue V2 Face Mount Pull-up Bar for Monster Lite from <https://web.archive.org/web/20161105161238/https://www.roguefitness.com/rogue-v2-face-mount-pull-up-bar-for-monster-lite>, dated Nov. 5, 2016.

Photos of Titan 30"xX-3 Parallel Bars, from <https://www.titan.fitness/30-x-3-parallel-bars.html>, dated Nov. 20, 2018, product known to be available prior to Apr. 6, 2018, but not prior to Apr. 17, 2017.

Photos of Titan 24" T-3 Parallel Bars, from <https://www.titan.fitness/24-t-3-parallel-bars.html>, dated Nov. 20, 2018, product known to be available prior to Apr. 6, 2018, but not prior to Apr. 17, 2017.

Photos of Titan 36" T-3 Parallel Bars, from <https://www.titan.fitness/36-t-3-parallel-bars.html>, dated Nov. 20, 2018, product known to be available prior to Apr. 6, 2018, but not prior to Apr. 17, 2017.

* cited by examiner

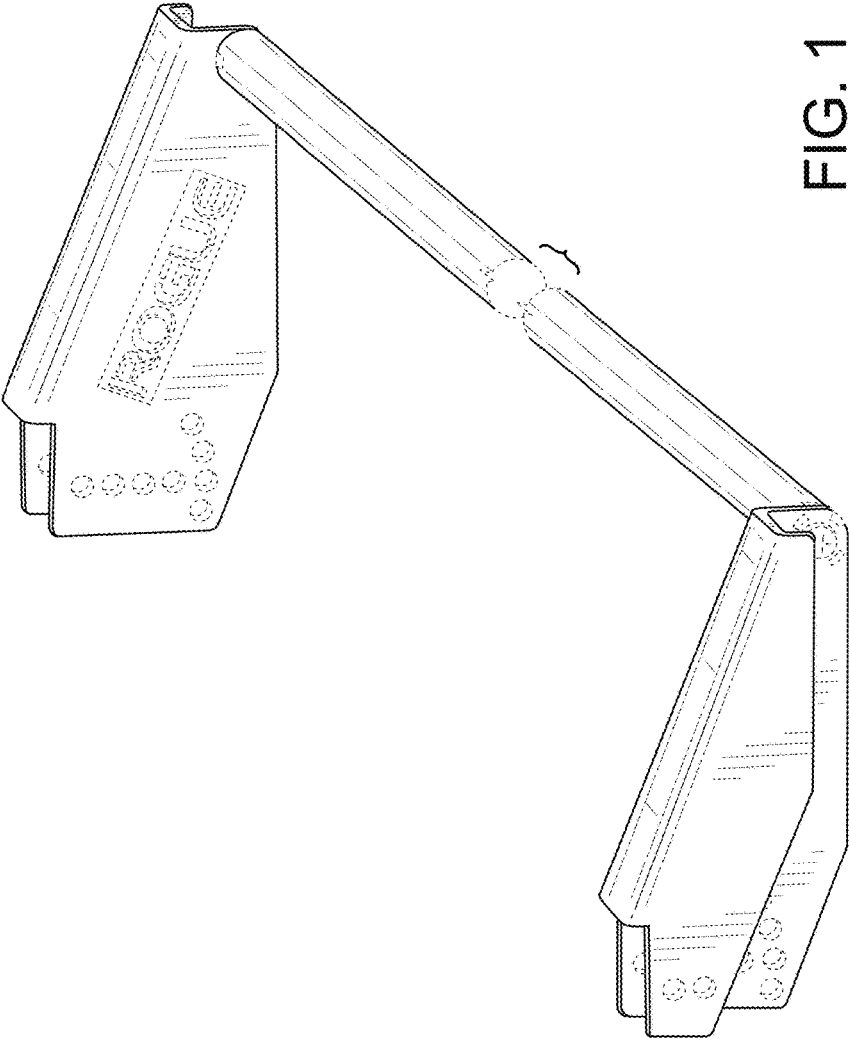


FIG. 1

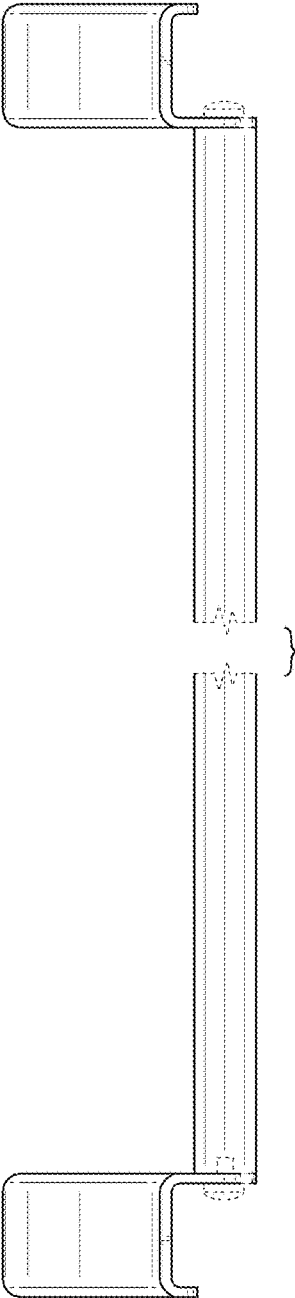


FIG. 2

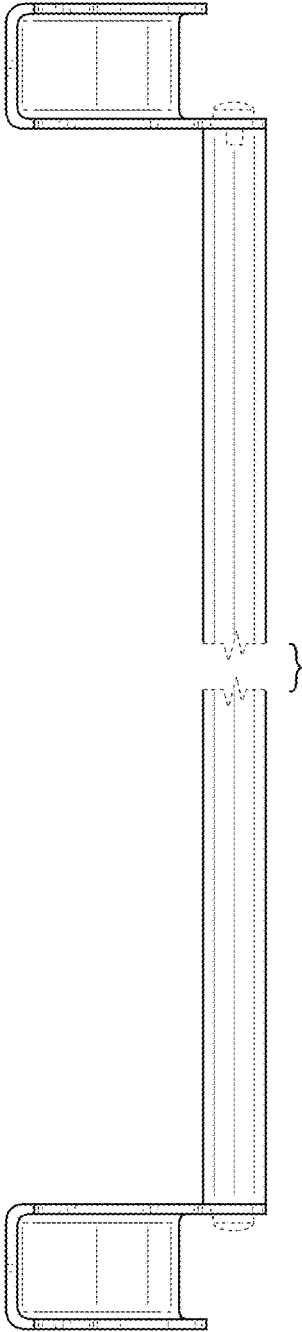


FIG. 3

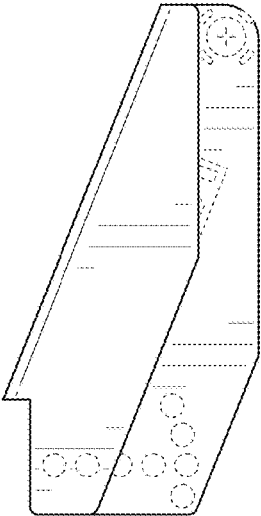


FIG. 4

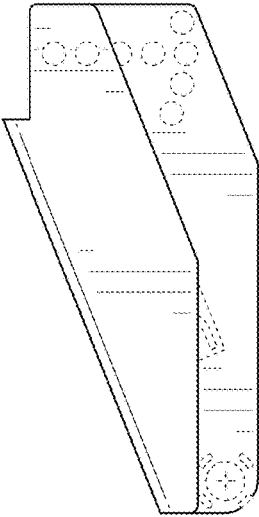


FIG. 5

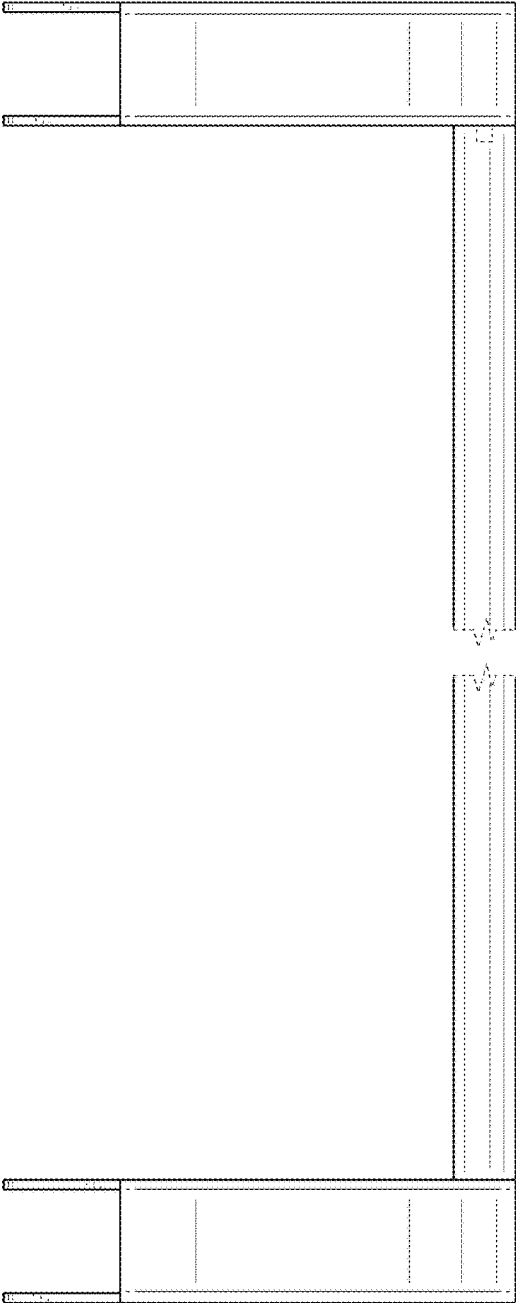


FIG. 6

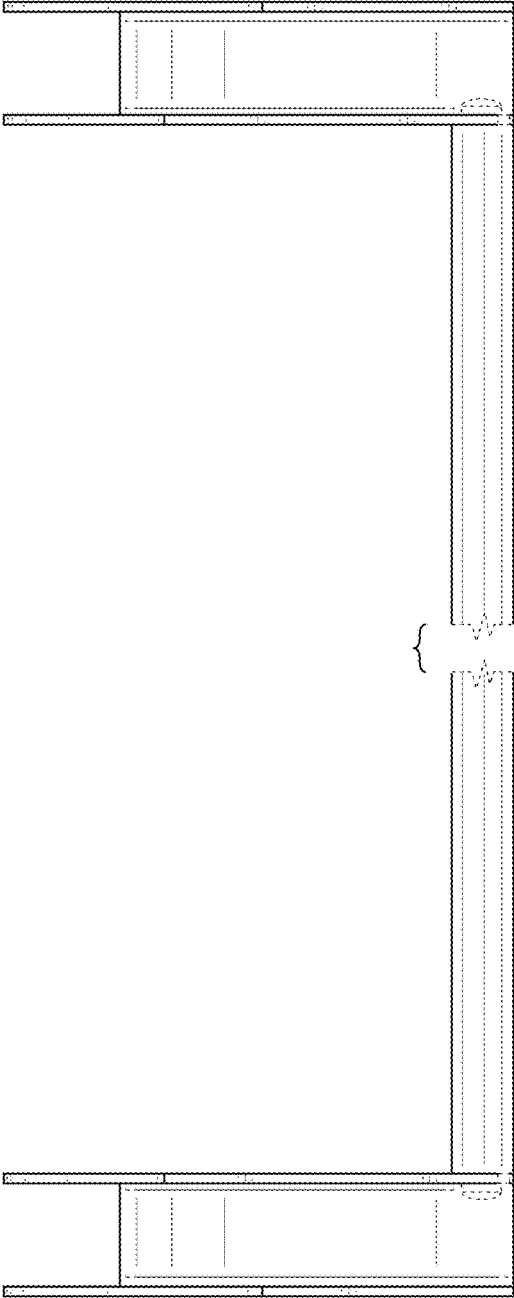


FIG. 7

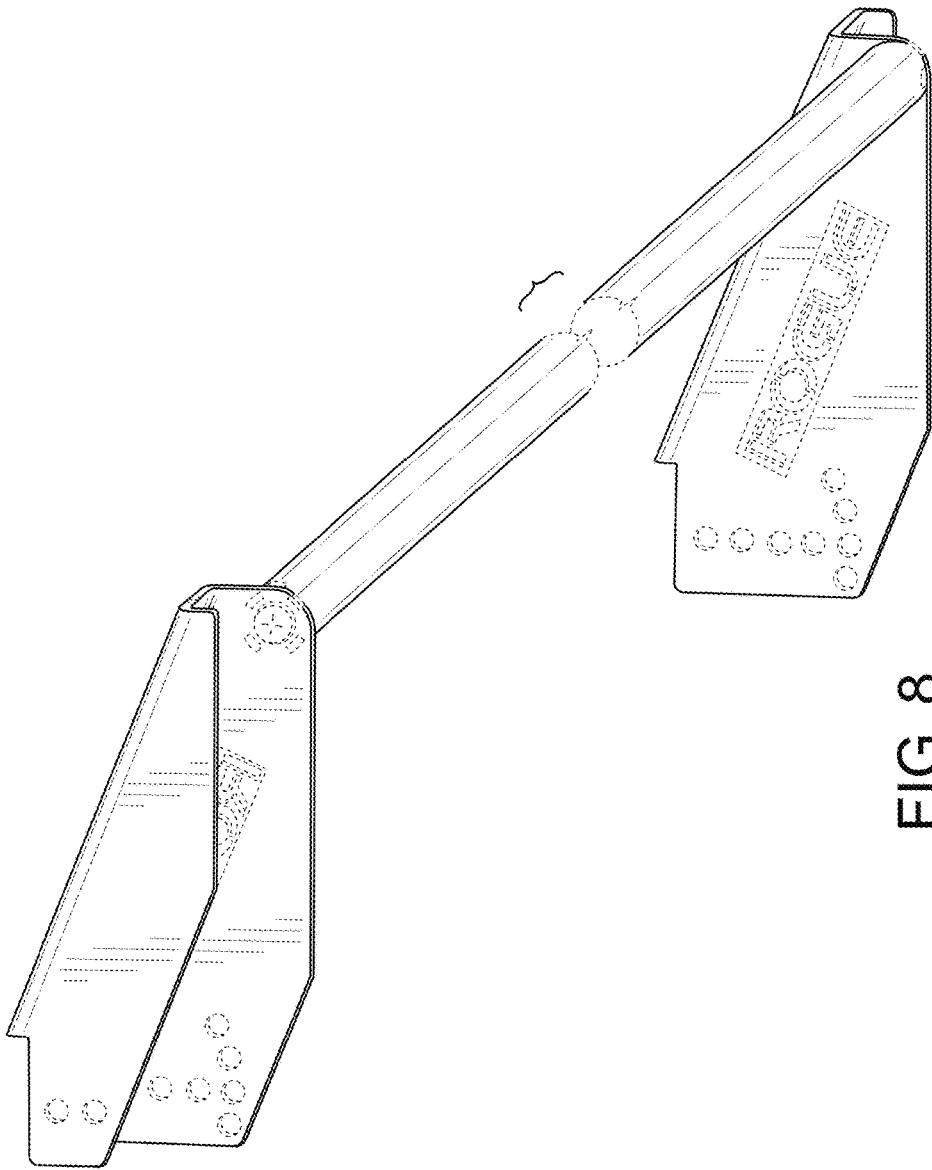


FIG. 8

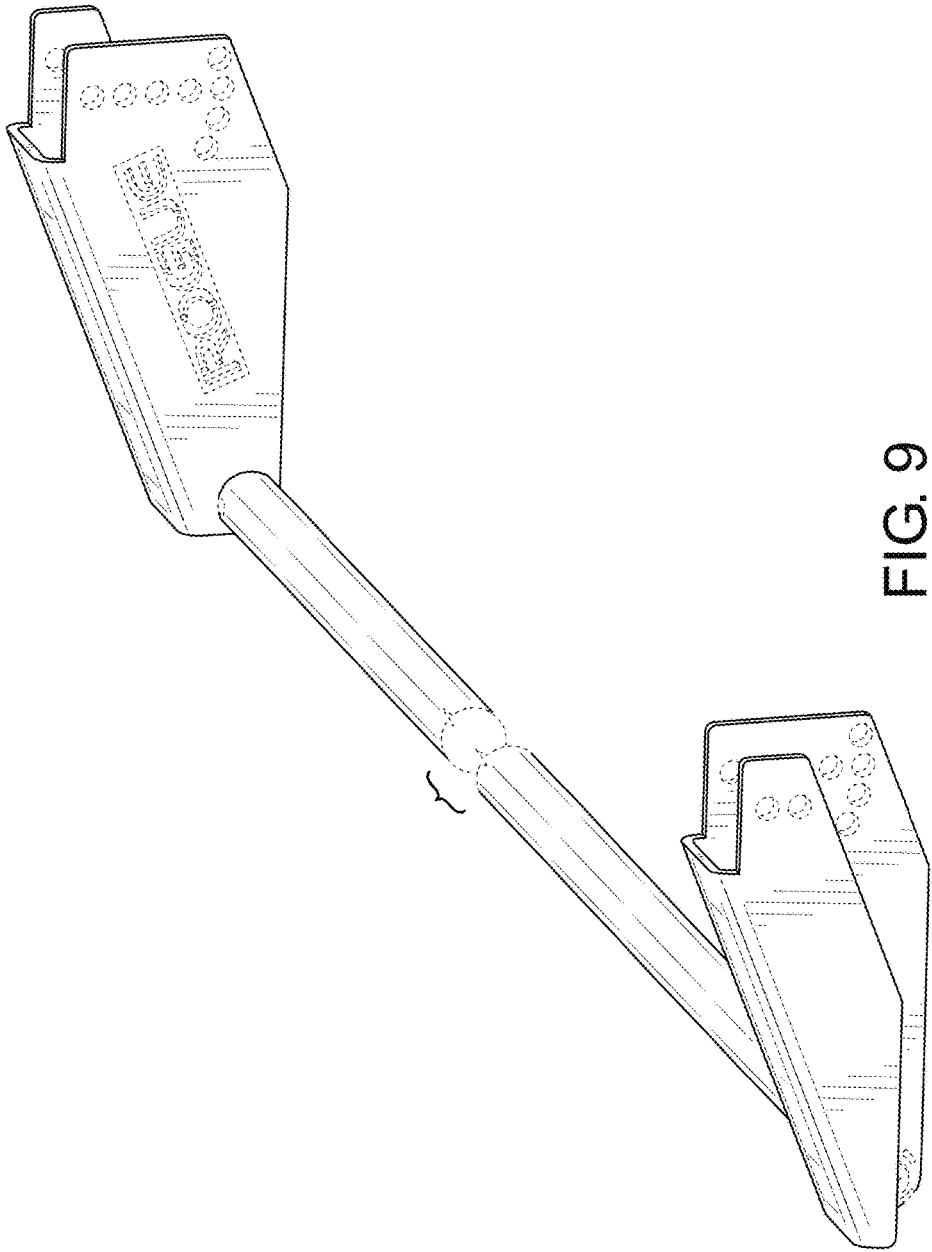


FIG. 9