



US00D821544S

(12) **United States Design Patent**  
**Urry**

(10) **Patent No.:** **US D821,544 S**

(45) **Date of Patent:** **\*\* Jun. 26, 2018**

(54) **GARDENING WATER SPRAYING GUN**

D768,817 S \* 10/2016 Chen ..... D23/223  
D774,164 S \* 12/2016 Chen ..... D23/226  
D774,165 S \* 12/2016 Chen ..... D23/226

(71) Applicant: **Andrew Mark Urry**, Salt Lake City,  
UT (US)

\* cited by examiner

(72) Inventor: **Andrew Mark Urry**, Salt Lake City,  
UT (US)

*Primary Examiner* — Robin V Webster

(73) Assignee: **Orbit Irrigation Products Inc.**, Salt  
Lake City, UT (US)

(74) *Attorney, Agent, or Firm* — Che-Yang Chen; Law  
Offices of Scott Warmuth

(\*\*) Term: **15 Years**

(21) Appl. No.: **29/598,929**

(57) **CLAIM**

(22) Filed: **Mar. 29, 2017**

The ornamental design for a gardening water spraying gun,  
as shown and described.

(51) **LOC (11) Cl.** ..... **23-01**

(52) **U.S. Cl.**  
USPC ..... **D23/223**

(58) **Field of Classification Search**  
USPC ..... D23/213, 223, 226, 225; 239/525, 526,  
239/291  
CPC ..... B05B 1/00; B05B 9/01; B05B 15/061;  
B05B 3/00; B05B 5/00; B05B 1/005;  
B05B 13/005; B05B 1/3026

See application file for complete search history.

**DESCRIPTION**

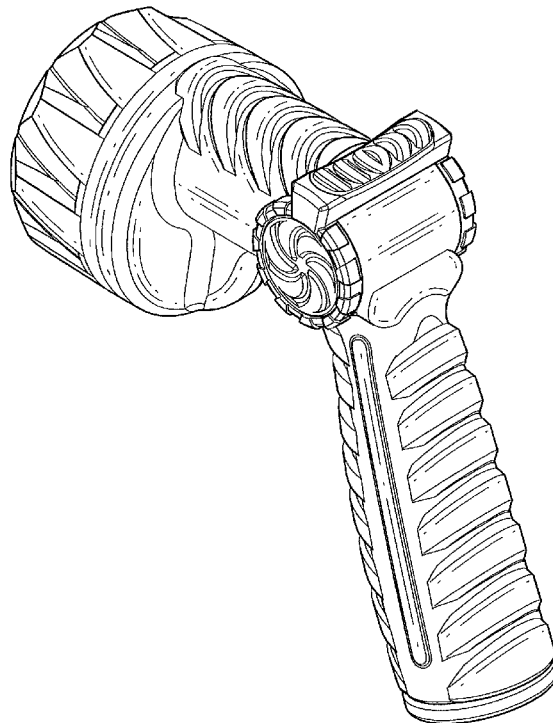
FIG. 1 is a perspective view of a gardening water spraying gun showing my new design;  
FIG. 2 is a front elevational view thereof;  
FIG. 3 is a rear elevational view thereof;  
FIG. 4 is a left side elevational view thereof;  
FIG. 5 is a right side elevational view thereof;  
FIG. 6 is a top plan view thereof; and,  
FIG. 7 is a bottom plan view thereof.

(56) **References Cited**

**U.S. PATENT DOCUMENTS**

8,950,693 B2 \* 2/2015 Hsieh ..... B05B 1/3026  
239/525  
D749,696 S \* 2/2016 Thurgood ..... D23/223

**1 Claim, 5 Drawing Sheets**



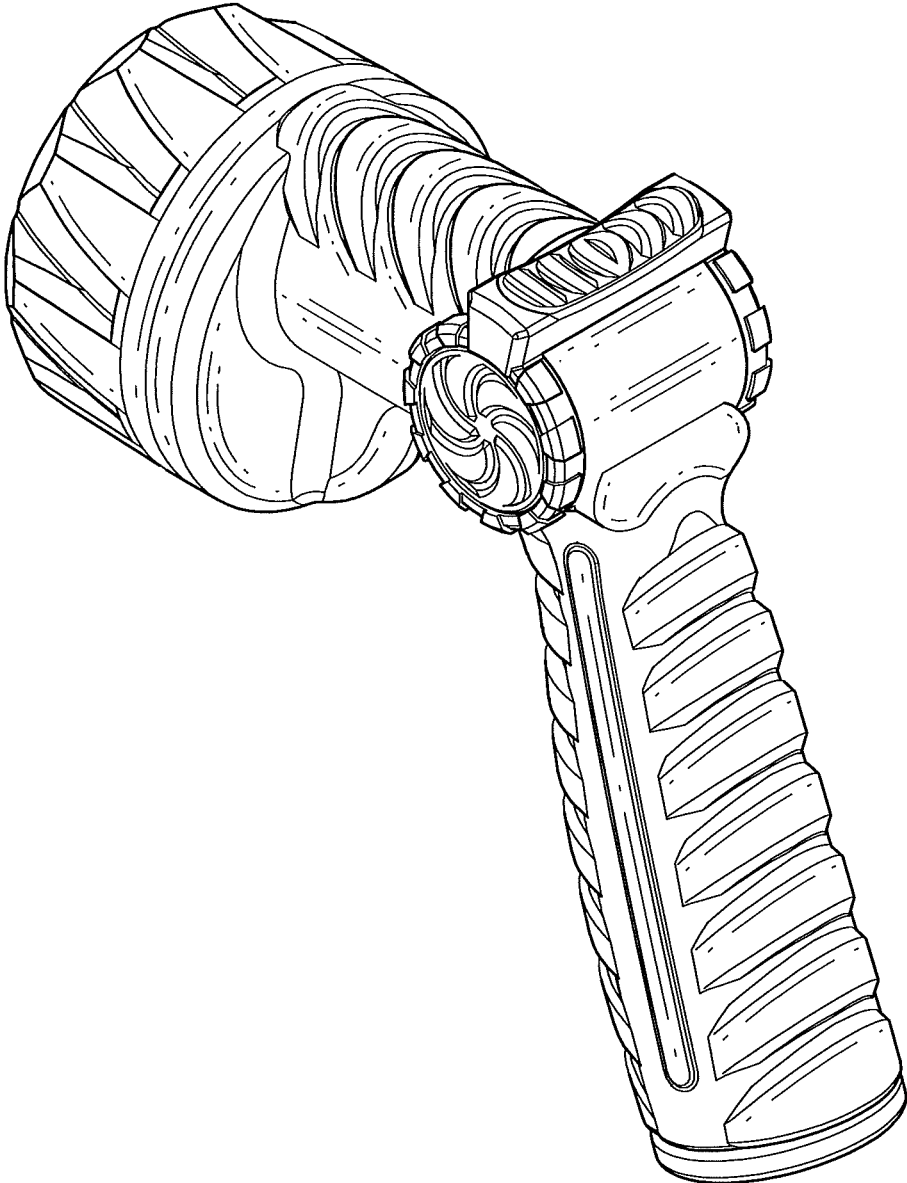


FIG. 1

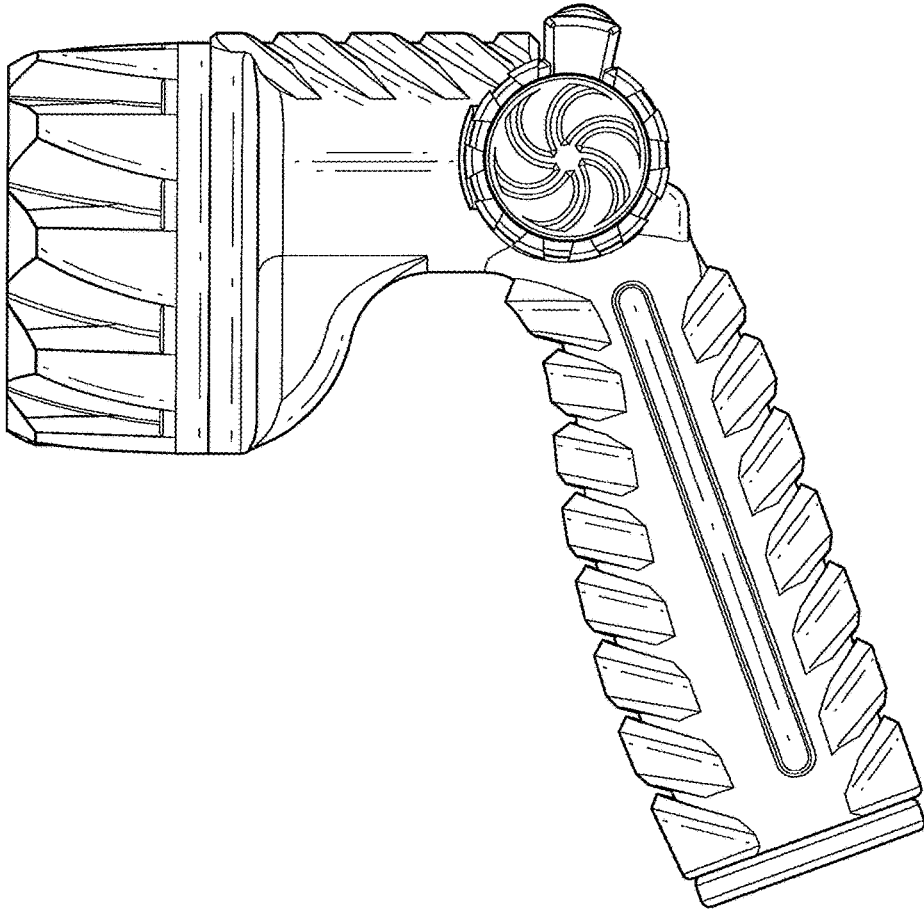


FIG. 2

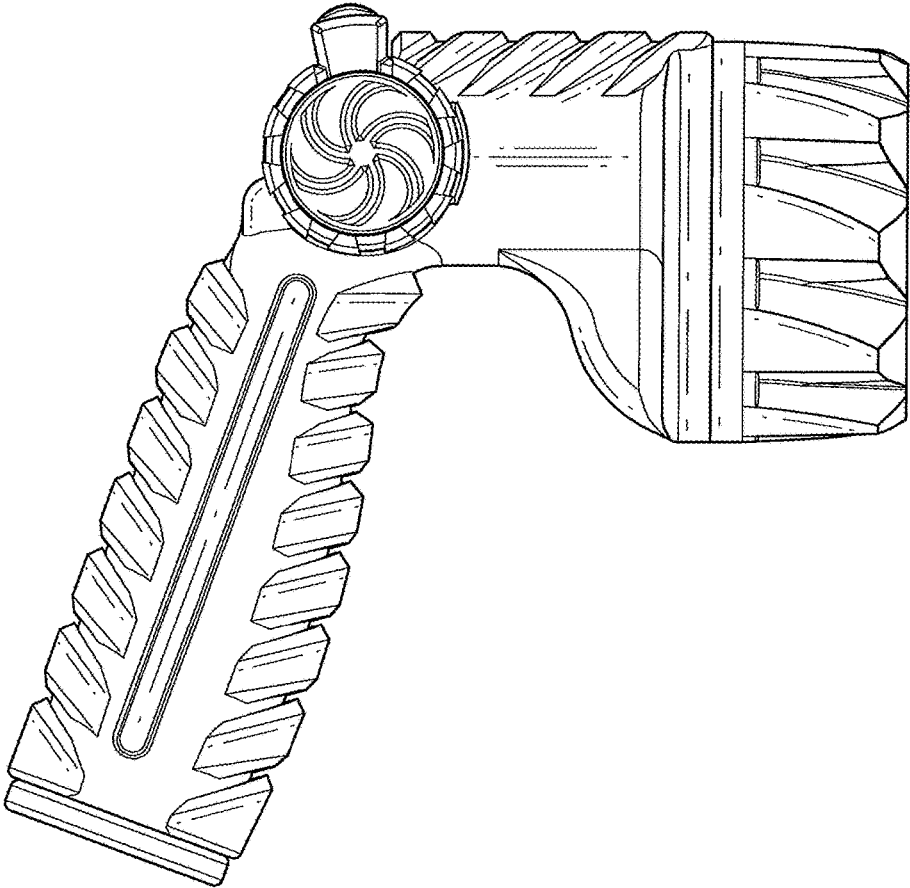


FIG. 3

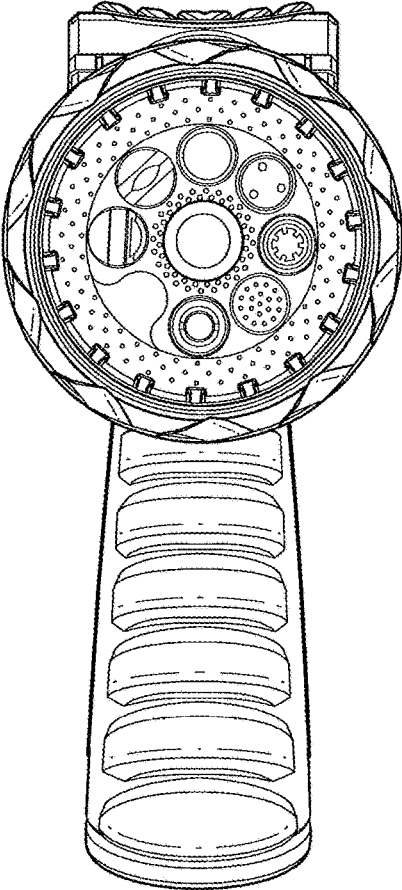


FIG. 4

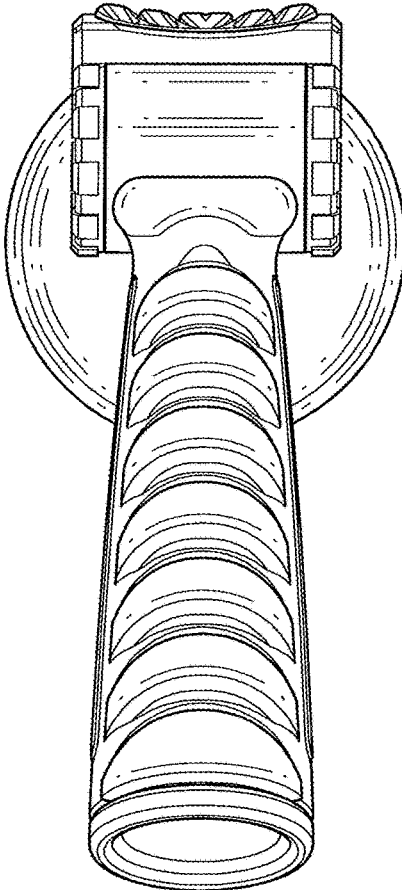


FIG. 5

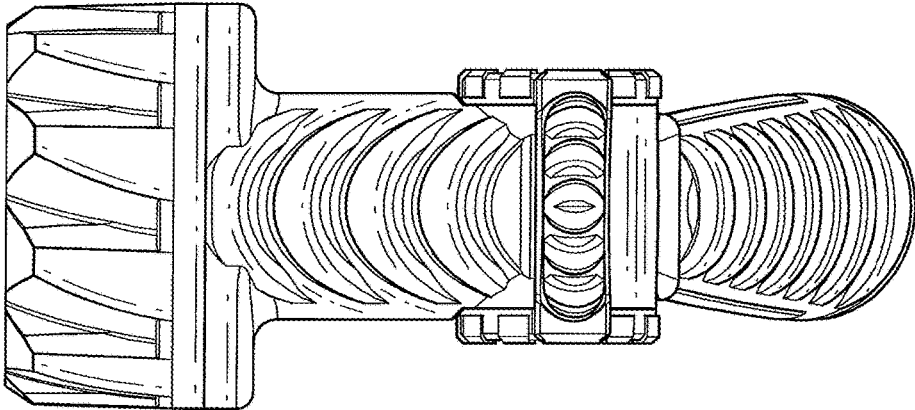


FIG. 6

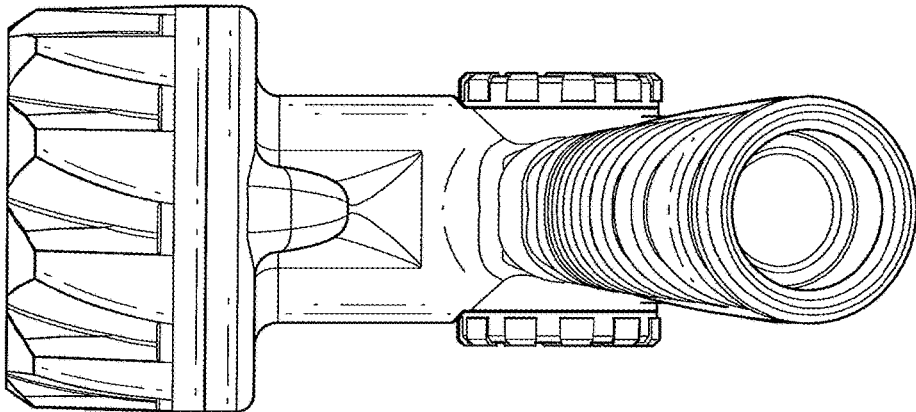


FIG. 7